

THIS DRAWING IS UNPUBLISHED.

RELEASED FOR PUBLICATION

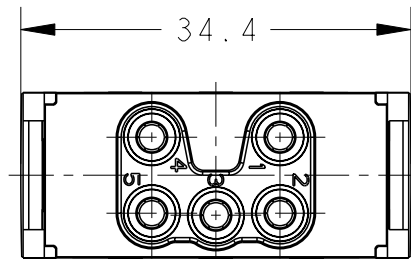
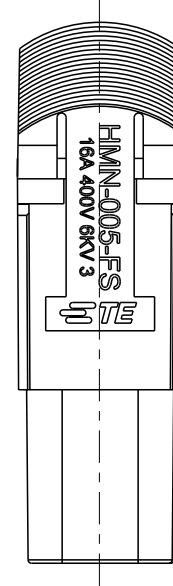
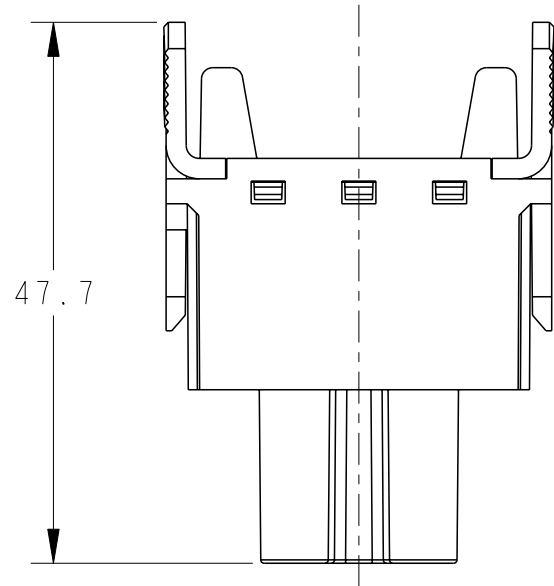
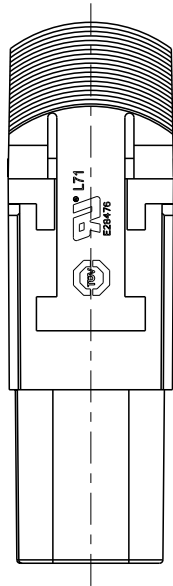
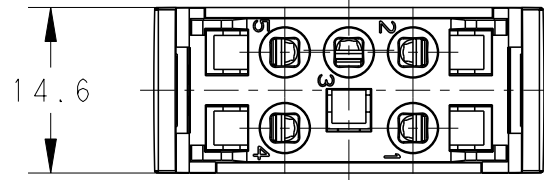
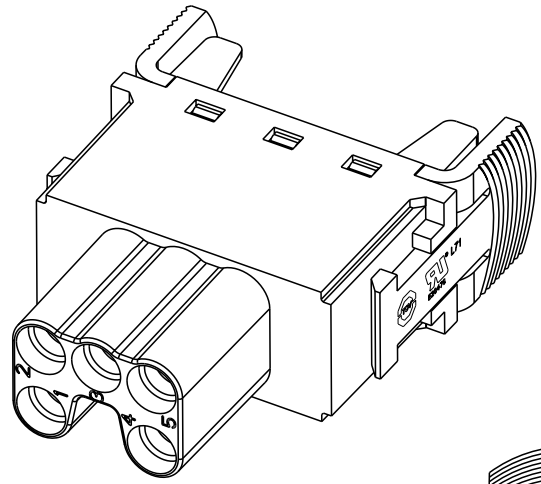
20

© COPYRIGHT 20 BY -

ALL RIGHTS RESERVED.

REVISIONS

P	LTR	DESCRIPTION	DATE	DWN	APVD
A		INITIAL	29APR2015	DW	CW
B		ECR-15-018270	09DEC2015	DW	CW



NOTES:

- 1. TECHNICAL CHARACTERISTICS:
- INSULATION MATERIAL: PC
- RATED VOLTAGE: 400V
- RATED CURRENT: 16A
- INSULATION RESISTANCE:  $\geq 400M\Omega$
- RATED IMPULSE VOLTAGE: 6KV
- POLLUTION DEGREE: 3
- CONTACT RESISTANCE:  $\leq 5m\Omega$
- FLAMMABILITY: UL94V-0
- MATING CYCLES: 500 CYCLES
- OPERATION TEMPERATURE:  $-40^{\circ}C \sim +125^{\circ}C$
- WIRE RANGE: 0.5~2.5mm<sup>2</sup>
- CONTACT TYPE: SPRING TYPE.

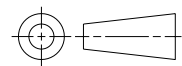
注释:

- 1. 技术参数:
- 绝缘材料: PC
- 额定电压: 400V
- 额定电流: 16A
- 绝缘电阻:  $\geq 400M\Omega$
- 脉冲电压: 6KV
- 污染等级: 3
- 接触电阻:  $\leq 5m\Omega$
- 阻燃等级: UL94V-0
- 插拔次数: 500次
- 工作温度:  $-40^{\circ}C \sim +125^{\circ}C$
- 接线范围: 0.5~2.5mm<sup>2</sup>
- 接线类型: 弹片连接

HMN-005-FS	T2110052201-000
DESCRIPTION	PART NUMBER

THIS DRAWING IS A CONTROLLED DOCUMENT.

DIMENSIONS:  
mm



TOLERANCES UNLESS OTHERWISE SPECIFIED:

0 PLC	±-
1 PLC	±-
2 PLC	±-
3 PLC	±-
4 PLC	±-
ANGLES	±-
FINISH	-

MATERIAL	-
	-

DWN 29APR2015

CHK David Wang

CHK Chris Wang

APVD Xiang Xu

PRODUCT SPEC

108-137119

APPLICATION SPEC

114-137119

WEIGHT -

Customer Drawing

NAME HMN-005-FS

SIZE	CAGE CODE	DRAWING NO	RESTRICTED TO
------	-----------	------------	---------------

A3	00779	T2110052201000	-
----	-------	----------------	---

SCALE	SHEET	OF	REV
-------	-------	----	-----

3:2	1	1	B
-----	---	---	---

