

# Datasheet SGP30

## Sensirion Gas Platform

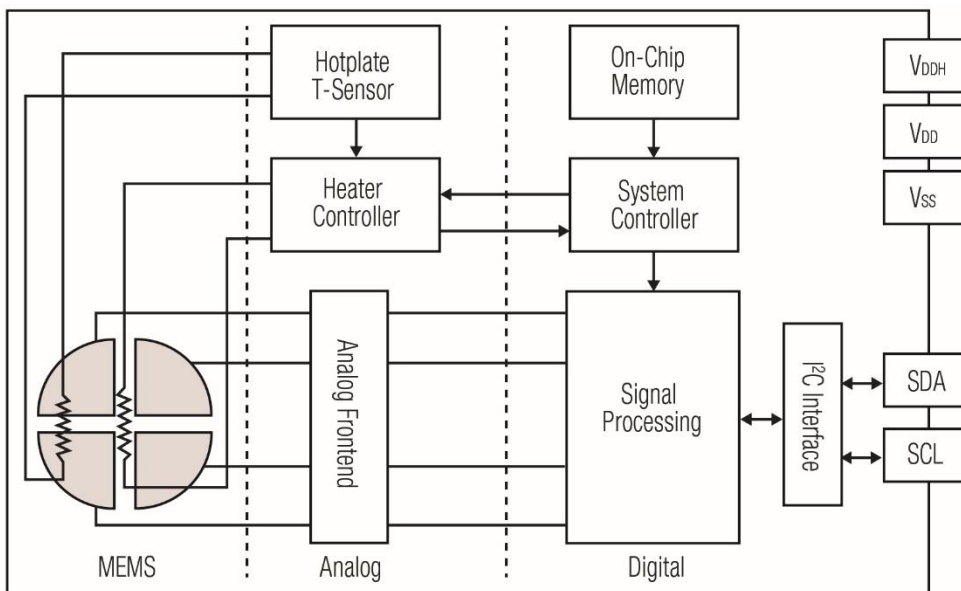
- Multi-pixel gas sensor for indoor air quality applications
- Outstanding long-term stability
- I<sup>2</sup>C interface with TVOC and CO<sub>2</sub>eq output signals
- Very small 6-pin DFN package: 2.45 x 2.45 x 0.9 mm<sup>3</sup>
- Low power consumption: 48 mA at 1.8V
- Tape and reel packaged, reflow solderable



### Product Summary

The SGP30 is a digital multi-pixel gas sensor designed for easy integration into air purifier, demand-controlled ventilation, and IoT applications. Sensirion's CMOSens<sup>®</sup> technology offers a complete sensor system on a single chip featuring a digital I<sup>2</sup>C interface, a temperature controlled micro hotplate, and two preprocessed indoor air quality signals. As the first metal-oxide gas sensor featuring multiple sensing elements on one chip, the SGP30 provides more detailed information about the air quality.

The sensing element features an unmatched robustness against contaminating gases present in real-world applications enabling a unique long-term stability and low drift. The very small 2.45 x 2.45 x 0.9 mm<sup>3</sup> DFN package enables applications in limited spaces. Sensirion's state-of-the-art production process guarantees high reproducibility and reliability. Tape and reel packaging, together with suitability for standard SMD assembly processes make the SGP30 predestined for high-volume applications.



**Figure 1** Functional block diagram of the SGP30.

# 1 Sensor Performance

## 1.1 Gas Sensing Performance

The values listed in **Table 1** are valid at 25°C, 50% RH and typical VDD.

| Parameter                      | Signal                | Values   | Comments  |
|--------------------------------|-----------------------|--|---|
| Measurement range <sup>1</sup> | Ethanol signal        | 0 ppm <sup>2</sup> to 1000 ppm                   |   |
|                                | H <sub>2</sub> signal | 0 ppm to 1000 ppm                                |   |
| Specified range                | Ethanol signal        | 0.3 ppm to 30 ppm                                | The specifications below are defined for this measurement range. The specified measurement range covers the gas concentrations expected in indoor air quality applications.   |
|                                | H <sub>2</sub> signal | 0.5 ppm to 3 ppm                                 |   |
| Accuracy <sup>3</sup>          | Ethanol signal        | see <b>Figure 2</b><br>typ.: 15% of meas. value  | Accuracy is defined as $\frac{c - c_{set}}{c_{set}}$ with $c$ the measured concentration and $c_{set}$ the concentration set point. The concentration $c$ is determined by $c = c_{ref} \cdot \exp\left(\frac{S_{ref} - S_{out}}{512}\right)$ $c_{ref} = 0.4$ ppm |
|                                | H <sub>2</sub> signal | see <b>Figure 3</b><br>typ.: 10% of meas. value  | with $S_{out}$ : Ethanol/Hydrogen signal output at concentration $c$<br>$S_{ref}$ : Ethanol/Hydrogen signal output at 0.5 ppm H <sub>2</sub> $c_{ref} = 0.5$ ppm  |
| Long-term drift <sup>3,4</sup> | Ethanol signal        | see <b>Figure 4</b><br>typ.: 1.3% of meas. value | Change of accuracy over time: Siloxane accelerated lifetime test <sup>5</sup>   |
|                                | H <sub>2</sub> signal | see <b>Figure 5</b><br>typ.: 1.3% of meas. value |   |
| Resolution                     | Ethanol signal        | 0.2 % of meas. value                             | Resolution of Ethanol and Hydrogen signal outputs in relative change of the measured concentration  |
|                                | H <sub>2</sub> signal |  |   |
| Sampling frequency             | Ethanol signal        | Max. 40 Hz                                       | Compare with minimum measurement duration in <b>Table 10</b>  |
|                                | H <sub>2</sub> signal |  |   |

**Table 1** Gas sensing performance. Specifications are at 25°C, 50% RH and typical VDD. The sensors have been operated for at least 24h before the first characterization.

<sup>1</sup> Exposure to ethanol and H<sub>2</sub> concentrations up to 1000 ppm have been tested. For applications requiring the measurement of higher gas concentrations please contact Sensirion.

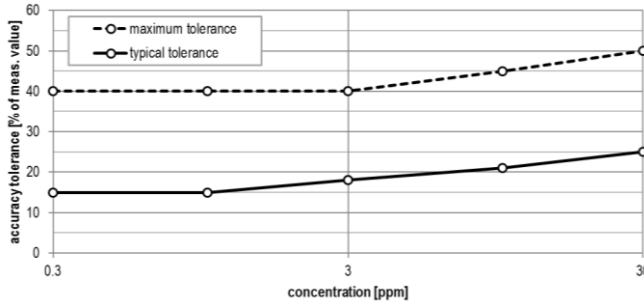
<sup>2</sup> ppm: parts per million. 1 ppm = 1000 ppb (parts per billion)

<sup>3</sup> 90% of the sensors will be within the typical accuracy tolerance, >99% are within the maximum tolerance.

<sup>4</sup> The long-term drift is stated as change of accuracy per year of operation.

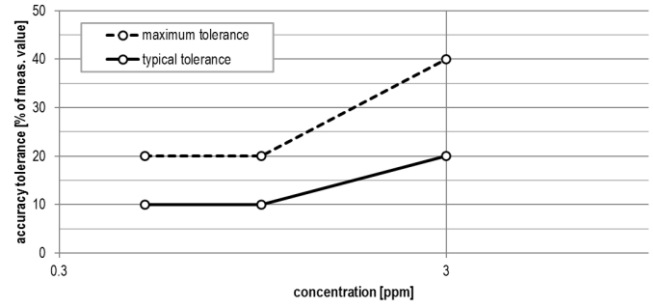
<sup>5</sup> Test conditions: operation in 250 ppm Decamethylcyclopentasiloxane (D5) for 200h simulating 10 years of operation in an indoor environment.

### Accuracy ethanol signal



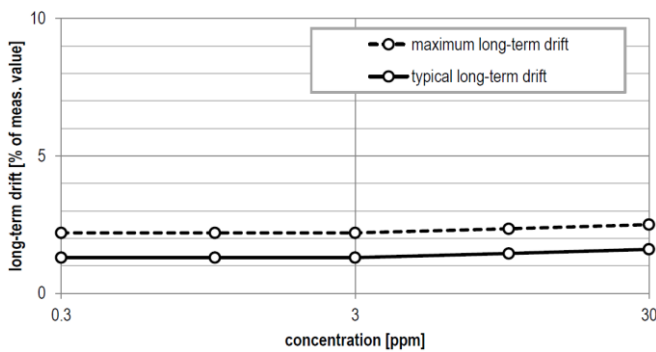
**Figure 2** Typical and maximum accuracy tolerance in % of measured value at 25°C, 50% RH and typical VDD. The sensors have been operated for at least 24h before the characterization.

### Accuracy H<sub>2</sub> signal



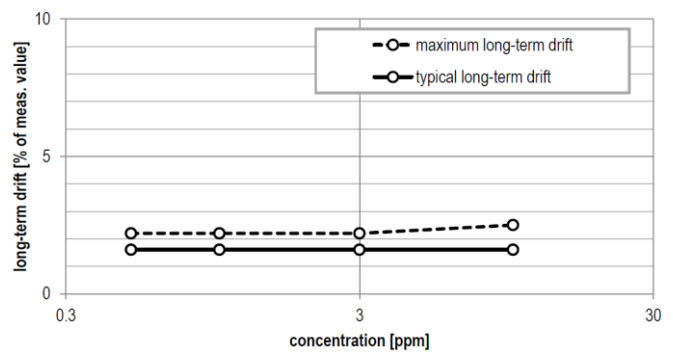
**Figure 3** Typical and maximum accuracy tolerance in % of measured value at 25°C, 50% RH and typical VDD. The sensors have been operated for at least 60h before the characterization.

### Long-term drift Ethanol signal



**Figure 4** Typical and maximum long-term drift in % of measured value at 25°C, 50% RH and typical VDD. The sensors have been operated for at least 24h before the first characterization.

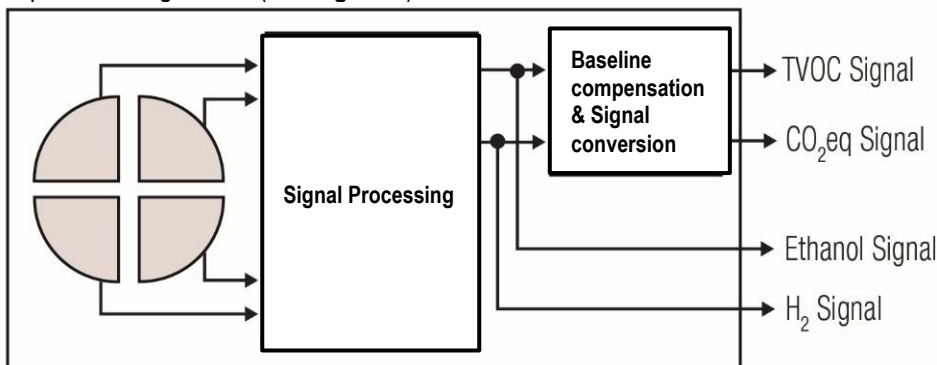
### Long-term drift H<sub>2</sub> signal



**Figure 5** Typical and maximum long-term drift in % of measured value at 25°C, 50% RH and typical VDD. The sensors have been operated for at least 60h before the first characterization.

## 1.2 Air Quality Signals

Air quality signals TVOC and CO<sub>2</sub>eq are calculated from Ethanol and H<sub>2</sub> measurements using internal conversion and baseline compensation algorithms (see **Figure 6**).



**Figure 6** Simplified version of the functional block diagram (compare **Figure 1**) showing the signal paths of the SGP30.

Specifications of air quality signals are shown in **Table 2**.

| Parameter     | Signal                    | Values                |            | Comments  |
|---------------|---------------------------|-----------------------|------------|---|
| Output range  | TVOC signal               | 0 ppb to 60000 ppb    |            | Maximum possible output range. The gas sensing performance is specified for the measurement range as defined in <b>Table 1</b>                              |
|               | CO <sub>2</sub> eq signal | 400 ppm to 60000 ppm  |            |   |
|               |                           | Range                 | Resolution |   |
|               | TVOC signal               | 0 ppb - 2008 ppb      | 1 ppb      |   |
|               |                           | 2008 ppb – 11110 ppb  | 6 ppb      |   |
|               |                           | 11110 ppb – 60000 ppb | 32 ppb     |   |
|               | CO <sub>2</sub> eq signal | 400 ppm – 1479 ppm    | 1 ppm      |   |
|               |                           | 1479 ppm – 5144 ppm   | 3 ppm      |   |
|               |                           | 5144 ppm – 17597 ppm  | 9 ppm      |   |
|               |                           | 17597 ppm – 60000 ppm | 31 ppm     |   |
| Sampling rate | TVOC signal               | 1 Hz                  |            | The on-chip baseline compensation algorithm has been optimized for this sampling rate. The sensor shows best performance when used with this sampling rate. |
|               | CO <sub>2</sub> eq signal | 1 Hz                  |            |   |

**Table 2** Air quality signal specifications.

### 1.3 Recommended Operating and Storage Conditions

The sensor shows best performance when operated within recommended normal temperature and humidity range of 5 – 55 °C and 4 –20 g/m<sup>3</sup>, respectively. Long-term exposure (operated and not operated) to conditions outside the recommended range, especially at high humidity, may affect the sensor performance. Prolonged exposure to extreme conditions may accelerate aging. To ensure stable operation of the gas sensor, the conditions described in the document *SGP Handling and Assembly Instructions* regarding exposure to exceptionally high concentrations of some organic or inorganic compounds have to be met, particularly during operation. Please also refer to the *Design-in Guide* for optimal integration of the SGP30.

## 2 Electrical Specifications

| Parameter   | Min.  | Typ. | Max.     | Unit | Comments  |
|---|---|------|----------|------|---|
| Supply voltage $V_{DD}$                               | 1.62  | 1.8  | 1.98     | V    | Minimal voltage must be guaranteed also for the maximum supply current specified in this table.                                     |
| Hotplate supply voltage $V_{DDH}$                     | 1.62  | 1.8  | 1.98     | V    |   |
| Supply current in measurement mode <sup>6</sup>       |   | 48.8 |          | mA   | The measurement mode is activated by sending an "sgp30_iaq_init" or "sgp30_measure_raw" command. Specified at 25°C and typical VDD. |
| Sleep current   |   | 2    | 10       | μA   | The sleep mode is activated after power-up or after a soft reset. Specified at 25°C and typical VDD.                                |
| LOW-level input voltage                               | -0.5  |      | 0.3*VDD  | V    |   |
| HIGH-level input voltage                              | 0.7*VDD   |      | VDD+0.5  | V    |   |
| V <sub>hys</sub> hysteresis of Schmitt trigger inputs |   |      | 0.05*VDD | V    |   |
| LOW-level output voltage                              |   |      | 0.2*VDD  | V    | (open-drain) at 2mA sink current  |
| Communication   | Digital 2-wire interface, I <sup>2</sup> C fast mode. |      |          |      |   |

**Table 3** Electrical specifications.

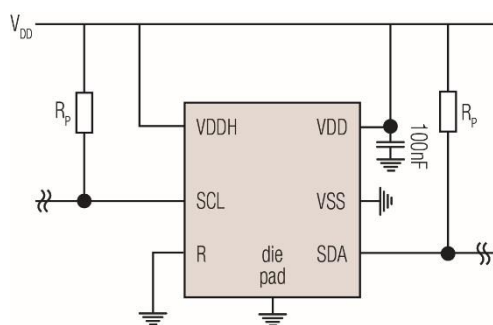
## 3 Interface Specifications

The SGP30 comes in a 6-pin DFN package, see **Table 4**.

| Pin | Name      | Comments                                   |
|-----|-----------|--|
| 1   | $V_{DD}$  | Supply voltage                             |
| 2   | $V_{SS}$  | Ground                                     |
| 3   | SDA       | Serial data, bidirectional                 |
| 4   | R         | Connect to ground (no electrical function) |
| 5   | $V_{DDH}$ | Supply voltage, hotplate                   |
| 6   | SCL       | Serial clock, bidirectional                |

**Table 4** Pin assignment (transparent top view). Dashed lines are only visible from the bottom.

<sup>6</sup> A 20% higher current is drawn during 5ms on  $V_{DDH}$  after entering the measurement mode.



**Figure 7** Typical application circuit (for better clarity in the image, the positioning of the pins does not reflect the positions on the real sensor).

The electrical specifications of the SGP30 are shown in **Table 3**. The power supply pins must be decoupled with a 100 nF capacitor that shall be placed as close as possible to pin VDD – see **Figure 7**. The required decoupling depends on the power supply network connected to the sensor. We also recommend VDD and VDDH pins to be shorted<sup>7</sup>.

SCL is used to synchronize the communication between the microcontroller and the sensor. The SDA pin is used to transfer data to and from the sensor. For safe communication, the timing specifications defined in the I<sup>2</sup>C manual<sup>8</sup> must be met. Both SCL and SDA lines are open-drain I/Os with diodes to VDD and VSS. They should be connected to external pull-up resistors. To avoid signal contention, the microcontroller must only drive SDA and SCL low. The external pull-up resistors (e.g.  $R_p = 10\text{ k}\Omega$ ) are required to pull the signal high. For dimensioning resistor sizes please take bus capacity and communication frequency into account (see for example Section 7.1 of NXP's I<sup>2</sup>C Manual for more details<sup>8</sup>). It should be noted that pull-up resistors may be included in I/O circuits of microcontrollers.

The die pad or center pad is electrically connected to GND. Hence, electrical considerations do not impose constraints on the wiring of the die pad. However, for mechanical stability it is recommended to solder the center pad to the PCB.

## 4 Absolute Minimum and Maximum Ratings

Stress levels beyond those listed in **Table 5** may cause permanent damage to the device. These are stress ratings for the electrical components only and functional operation of the device at these conditions cannot be guaranteed. Exposure to the absolute maximum rating conditions for extended periods may affect the reliability of the device.

| Parameter                        | Rating                     |
|----------------------------------|----------------------------|
| Supply voltage $V_{DD}$          | -0.3 V to +2.16 V          |
| Supply voltage $V_{DDH}$         | -0.3 V to +2.16 V          |
| Storage temperature range        | -40 to +125°C              |
| Operating temperature range      | -40 to +85°C               |
| Humidity Range                   | 10% - 95% (non-condensing) |
| ESD HBM                          | 2 kV                       |
| ESD CDM                          | 500 V                      |
| Latch up, JESD78 Class II, 125°C | 100 mA                     |

**Table 5** Absolute minimum and maximum ratings.

Please refer to Handling and Assembly Guideline for Sensirion Gas Sensors on Sensirion webpage for full documentation.

<sup>7</sup> If VDD and VDDH are not shorted, it is required that VDD is always powered when VDDH is powered. Otherwise, the sensor might be damaged.

<sup>8</sup> [http://www.nxp.com/documents/user\\_manual/UM10204.pdf](http://www.nxp.com/documents/user_manual/UM10204.pdf)

## 5 Timing Specifications

### 5.1 Sensor System Timings

The timings refer to the power up and reset of the ASIC part and do not reflect the usefulness of the readings.

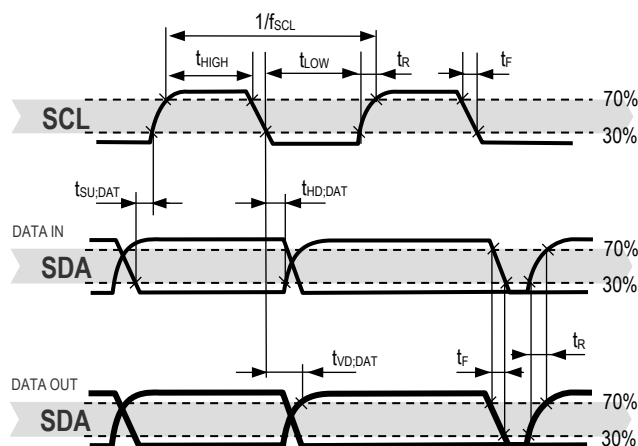
| Parameter       | Symbol   | Condition                               | Min. | Typ. | Max. | Unit | Comments |
|-----------------|----------|---|------|------|------|------|----------|
| Power-up time   | $t_{PU}$ | After hard reset, $V_{DD} \geq V_{POR}$ | -    | 0.4  | 0.6  | ms   | -        |
| Soft reset time | $t_{SR}$ | After soft reset                        | -    | 0.4  | 0.6  | ms   | -        |

**Table 6** System timing specifications.

### 5.2 Communication Timings

| Parameter                                  | Symbol       | Conditions  | Min. | Typ. | Max. | Units   | Comments |
|--|--------------|---|------|------|------|---------|----------|
| SCL clock frequency                        | $f_{SCL}$    | -   | 0    | -    | 400  | kHz     | -        |
| Hold time (repeated) START condition       | $t_{HD,STA}$ | After this period, the first clock pulse is generated | 0.6  | -    | -    | $\mu s$ | -        |
| LOW period of the SCL clock                | $t_{LOW}$    | -   | 1.3  | -    | -    | $\mu s$ | -        |
| HIGH period of the SCL clock               | $t_{HIGH}$   | -   | 0.6  | -    | -    | $\mu s$ | -        |
| Set-up time for a repeated START condition | $t_{SU,STA}$ | -   | 0.6  | -    | -    | $\mu s$ | -        |
| SDA hold time                              | $t_{HD,DAT}$ | -   | 0    | -    | -    | ns      | -        |
| SDA set-up time                            | $t_{SU,DAT}$ | -   | 100  | -    | -    | ns      | -        |
| SCL/SDA rise time                          | $t_R$        | -   | -    | -    | 300  | ns      | -        |
| SCL/SDA fall time                          | $t_F$        | -   | -    | -    | 300  | ns      | -        |
| SDA valid time                             | $t_{VD,DAT}$ | -   | -    | -    | 0.9  | $\mu s$ | -        |
| Set-up time for STOP condition             | $t_{SU,STO}$ | -   | 0.6  | -    | -    | $\mu s$ | -        |
| Capacitive load on bus line                | $C_B$        | -   | -    | -    | 400  | pF      | -        |

**Table 7** Communication timing specifications.



**Figure 8** Timing diagram for digital input/output pads. SDA directions are seen from the sensor. Bold SDA lines are controlled by the sensor; plain SDA lines are controlled by the micro-controller. Note that SDA valid read time is triggered by falling edge of preceding toggle.

## 6 Operation and Communication

The SGP30 supports I<sup>2</sup>C fast mode. For detailed information on the I<sup>2</sup>C protocol, refer to NXP I<sup>2</sup>C-bus specification<sup>8</sup>. All SGP30 commands and data are mapped to a 16-bit address space. Additionally, data and commands are protected with a CRC checksum to increase the communication reliability. The 16-bit commands that are sent to the sensor already include a 3-bit CRC checksum. Data sent from and received by the sensor is always succeeded by an 8-bit CRC.

In write direction it is mandatory to transmit the checksum, since the SGP30 only accepts data if it is followed by the correct checksum. In read direction it is up to the master to decide if it wants to read and process the checksum.

| SGP30                    | Hex. Code |
|--------------------------|-----------|
| I <sup>2</sup> C address | 0x58      |

**Table 8** I<sup>2</sup>C device address.

The typical communication sequence between the I<sup>2</sup>C master (e.g., a microcontroller in a host device) and the sensor is described as follows:

1. The sensor is powered up, communication is initialized
2. The I<sup>2</sup>C master periodically requests measurement and reads data, in the following sequence:
  - a. I<sup>2</sup>C master sends a measurement command
  - b. I<sup>2</sup>C master waits until the measurement is finished, either by waiting for the maximum execution time or by waiting for the expected duration and then poll data until the read header is acknowledged by the sensor (expected durations are listed in **Table 10**)
  - c. I<sup>2</sup>C master reads out the measurement result

### 6.1 Power-Up and Communication Start

The sensor starts powering-up after reaching the power-up threshold voltage  $V_{DD,Min}$  specified in **Table 3**. After reaching this threshold voltage, the sensor needs the time  $t_{PU}$  to enter the idle state. Once the idle state is entered it is ready to receive commands from the master.

Each transmission sequence begins with a START condition (S) and ends with a STOP condition (P) as described in the I<sup>2</sup>C-bus specification.

### 6.2 Measurement Communication Sequence

A measurement communication sequence consists of a START condition, the I<sup>2</sup>C write header (7-bit I<sup>2</sup>C device address plus 0 as the write bit) and a 16-bit measurement command. The proper reception of each byte is indicated by the sensor. It pulls the SDA pin low (ACK bit) after the falling edge of the 8th SCL clock to indicate the reception. With the acknowledgement of the measurement command, the SGP30 starts measuring.

When the measurement is in progress, no communication with the sensor is possible and the sensor aborts the communication with a XCK condition.

After the sensor has completed the measurement, the master can read the measurement results by sending a START condition followed by an I<sup>2</sup>C read header. The sensor will acknowledge the reception of the read header and responds with data. The response data length is listed in **Table 10** and is structured in data words, where one word consists of two bytes of data followed by one byte CRC checksum. Each byte must be acknowledged by the microcontroller with an ACK condition for the sensor to continue sending data. If the sensor does not receive an ACK from the master after any byte of data, it will not continue sending data.

After receiving the checksum for the last word of data, an XCK and STOP condition have to be sent (see **Figure 10**).

The I<sup>2</sup>C master can abort the read transfer with a XCK followed by a STOP condition after any data byte if it is not interested in subsequent data, e.g. the CRC byte or following data bytes, in order to save time. Note that the data cannot be read more than once, and access to data beyond the specified amount will return a pattern of 1s.

### 6.3 Measurement Commands

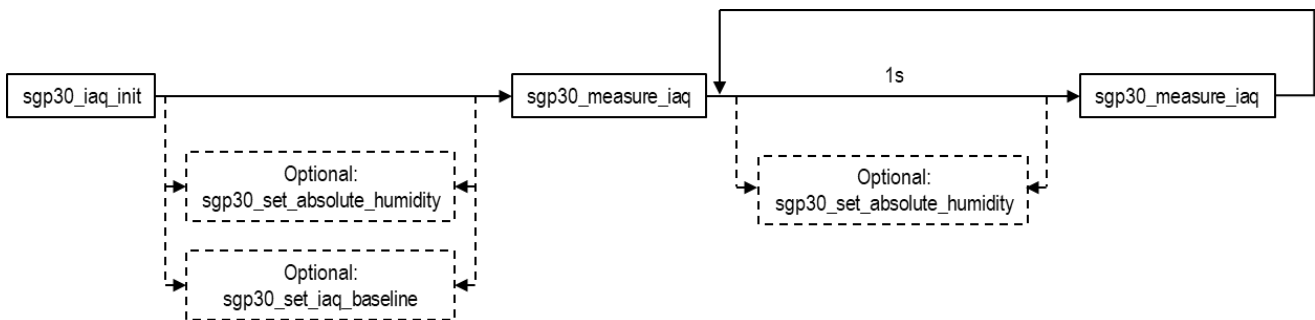
The available measurement commands of the SGP30 are listed in **Table 10**.



## Air Quality Signals

SGP30 uses a dynamic baseline compensation algorithm and on-chip calibration parameters to provide two complementary air quality signals. Based on the sensor signals a total VOC signal (TVOC) and a CO<sub>2</sub> equivalent signal (CO<sub>2</sub>eq) are calculated. Sending an “sgp30\_iaq\_init” command starts the air quality measurement. After the “sgp30\_iaq\_init” command, a “sgp30\_measure\_iaq” command has to be sent in regular intervals of 1s to ensure proper operation of the dynamic baseline compensation algorithm. The sensor responds with 2 data bytes (MSB first) and 1 CRC byte for each of the two preprocessed air quality signals in the order CO<sub>2</sub>eq (ppm) and TVOC (ppb). For the first 15s after the “sgp30\_iaq\_init” command the sensor is in an initialization phase during which a “sgp30\_measure\_iaq” command returns fixed values of 400 ppm CO<sub>2</sub>eq and 0 ppb TVOC.

A new “sgp30\_iaq\_init” command has to be sent after every power-up or soft reset. The command sequence after start-up for initializing and repeating measurements is illustrated in **Figure 9**.



**Figure 9** Command sequence for starting and repeating measurements. An example implementation of a generic driver can be found in the document *SGP30 driver integration guide* on Sensirion webpage.

## Set and Get Baseline

The SGP30 also provides the possibility to read and write the baseline values of the baseline compensation algorithm. This feature is used to save the baseline in regular intervals on an external non-volatile memory and restore it after a new power-up or soft reset of the sensor. The command “sgp30\_get\_iaq\_baseline” returns the baseline values for the two air quality signals. The sensor responds with 2 data bytes (MSB first) and 1 CRC byte for each of the two values in the order CO<sub>2</sub>eq and TVOC. These two values should be stored on an external memory. After a power-up or soft reset, the baseline of the baseline compensation algorithm can be restored by sending first an “sgp30\_iaq\_init” command followed by a “sgp30\_set\_iaq\_baseline” command with the two baseline values as parameters in the order as (TVOC, CO<sub>2</sub>eq). An example implementation of a generic driver for the baseline algorithm can be found in the document *SGP30 driver integration guide*.

## Inceptive Baseline for TVOC measurements<sup>9</sup>

The inceptive baseline offers an individually calibrated starting reference to the dynamic baseline compensation algorithm. Thereby the feature yields a better TVOC concentration accuracy for the very first start-up under bad air condition. This results in a better user experience especially when accuracy is required. Please note, that the application of this feature is solely limited to the very first start-up period of an SGP sensor. Furthermore, it is limited to the TVOC signal output.

“sgp30\_get\_tvoc\_inceptive\_baseline” reads the precalibrated reference point from the sensor HW and “sgp30\_set\_tvoc\_baseline” activates the inceptive baseline.

Only use “sgp30\_set\_tvoc\_baseline” when activating the inceptive baseline.

<sup>9</sup> The inceptive baseline feature is available for SGP30 sensors with feature set 34 and later.

## Sensor Raw Signals

The command “sgp30\_measure\_raw” is intended for part verification and testing purposes. It returns the sensor raw signals which are used as inputs for the on-chip calibration and baseline compensation algorithms as shown in the functional block diagram in section 1.2. The command performs a measurement to which the sensor responds with 2 data bytes (MSB first) and 1 CRC byte (see **Figure 10**) for 2 sensor raw signals in the order H2 signal ( $s_{out\_H2}$ ) and Ethanol signal ( $s_{out\_EtOH}$ ). Both signals can be used to calculate gas concentrations  $c$  relative to a reference concentration  $c_{ref}$  by

$$c = c_{ref} \cdot \exp\left(\frac{s_{ref} - s_{out}}{512}\right)$$

with  $s_{out}$  the sensor raw signal for H2:  $s_{out} = s_{out\_H2}$  or for Ethanol:  $s_{out} = s_{out\_EtOH}$ , and  $s_{ref}$  the H2 raw signal or Ethanol raw signal output at the corresponding reference concentration  $c_{ref\_H2}$  or  $c_{ref\_EtOH}$ .

## Humidity Compensation

The SGP30 features an on-chip humidity compensation for the air quality signals (CO<sub>2</sub>eq and TVOC) and sensor raw signals (H2 signal and Ethanol signal). To use the on-chip humidity compensation an absolute humidity value from an external humidity sensor like the SHTxx is required. Using the “sgp30\_set\_absolute\_humidity” command, a new humidity value can be written to the SGP30 by sending 2 data bytes (MSB first) and 1 CRC byte. The 2 data bytes represent humidity values as a fixed-point 8.8bit number with a minimum value of 0x0001 (=1/256 g/m<sup>3</sup>) and a maximum value of 0xFFFF (255 g/m<sup>3</sup> + 255/256 g/m<sup>3</sup>). For instance, sending a value of 0x0F80 corresponds to a humidity value of 15.50 g/m<sup>3</sup> (15 g/m<sup>3</sup> + 128/256 g/m<sup>3</sup>).

After setting a new humidity value, this value will be used by the on-chip humidity compensation algorithm until a new humidity value is set using the “sgp30\_set\_absolute\_humidity” command. Restarting the sensor (power-on or soft reset) or sending a value of 0x0000 (= 0 g/m<sup>3</sup>) disables the humidity compensation until a new humidity value is sent.

Absolute humidity values  $d_v$  in unit g/m<sup>3</sup> can be calculated by the following formula:

$$d_v(T, RH) = 216.7 \cdot \left[ \frac{\frac{RH}{100\%} \cdot 6.112 \cdot \exp\left(\frac{17.62 \cdot T}{243.12 + T}\right)}{273.15 + T} \right]$$

with temperature  $T$  and relative humidity  $RH$ .

**Example:** Inserting  $T = 25^\circ\text{C}$  and  $RH = 50\%$  in the formula above results in the absolute humidity  $d_v = 11.8 \text{ g/m}^3$ .

## Feature Set

The SGP30 features a versioning system for the available set of measurement commands and on-chip algorithms. This so called feature set version number can be read out by sending a “sgp30\_get\_feature\_set” command. The sensor responds with 2 data bytes (MSB first) and 1 CRC byte (see **Table 9**). This feature set version number is used to refer to a corresponding set of available measurement commands as listed in **Table 10**.

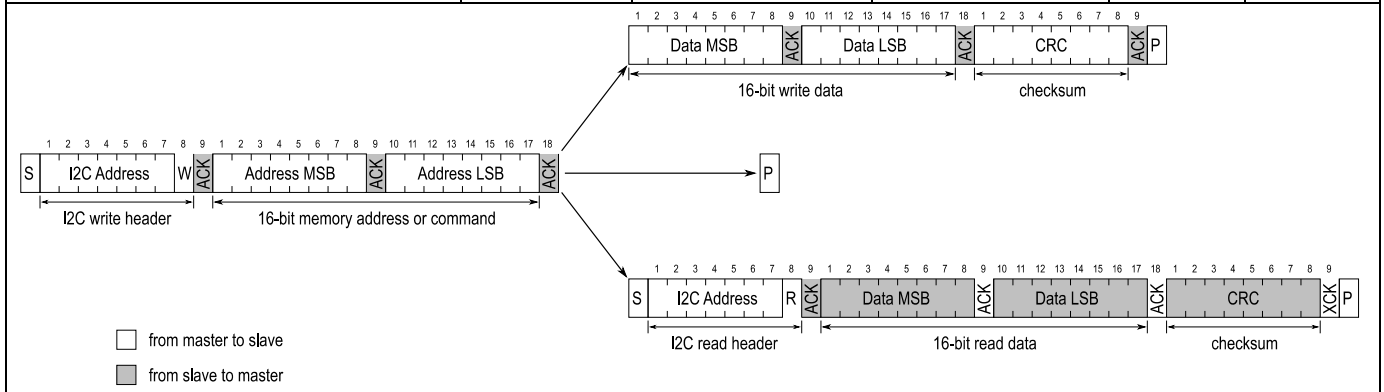
| Most significant byte (MSB) |                          |   |   |   |                            |   |   |   | Least significant byte (LSB) |                 |    |    |    |    |    |    |  |
|-----------------------------|--------------------------|---|---|---|----------------------------|---|---|---|------------------------------|-----------------|----|----|----|----|----|----|--|
| Bit                         | 1                        | 2 | 3 | 4 | 5                          | 6 | 7 | 8 | 9                            | 10              | 11 | 12 | 13 | 14 | 15 | 16 |  |
|                             | Product type<br>SGP30: 0 |   |   |   | Reserved for<br>future use |   |   |   | 0                            | Product version |    |    |    |    |    |    |  |

**Table 9** Structure of the SGP feature set number. Please note that the last 5 bits of the product version (bits 12-16 of the LSB) are subject to change. This is used to track new features added to the SGP multi-pixel platform.

## Measure Test

The command “sgp30\_measure\_test” which is included for integration and production line testing runs an on-chip self-test. In case of a successful self-test the sensor returns the fixed data pattern 0xD400 (with correct CRC).

| Feature Set                       | 0x0022    |  |                                       |                           |      |
|-----------------------------------|-----------|--|---------------------------------------|---------------------------|------|
| Command                           | Hex. Code | Parameter length including CRC [bytes] | Response length including CRC [bytes] | Measurement duration [ms] |      |
|                                   |           |  |                                       | Typ.                      | Max. |
| sgp30_iaq_init                    | 0x2003    | -                                      | -                                     | 2                         | 10   |
| sgp30_measure_iaq                 | 0x2008    | -                                      | 6                                     | 10                        | 12   |
| sgp30_get_iaq_baseline            | 0x2015    | -                                      | 6                                     | 1                         | 10   |
| sgp30_set_iaq_baseline            | 0x201e    | 6                                      | -                                     | 1                         | 10   |
| sgp30_set_absolute_humidity       | 0x2061    | 3                                      | -                                     | 1                         | 10   |
| sgp30_measure_test <sup>10</sup>  | 0x2032    | -                                      | 3                                     | 200                       | 220  |
| sgp30_get_feature_set             | 0x202f    | -                                      | 3                                     | 1                         | 10   |
| sgp30_measure_raw                 | 0x2050    | -                                      | 6                                     | 20                        | 25   |
| sgp30_get_tvoc_inceptive_baseline | 0x20b3    | -                                      | 3                                     | 1                         | 10   |
| sgp30_set_tvoc_baseline           | 0x2077    | 3                                      | -                                     | 1                         | 10   |



**Table 10** Measurement commands.

### 6.4 Soft Reset

A sensor reset can be generated using the “General Call” mode according to I<sup>2</sup>C-bus specification. It is important to understand that a reset generated in this way is not device specific. All devices on the same I<sup>2</sup>C bus that support the General Call mode will perform a reset. The appropriate command consists of two bytes and is shown in **Table 11**.

| Command                                      | Hex. Code |
|--|-----------|
| Address byte                                 | 0x00      |
| Second byte                                  | 0x06      |
| Reset Command using the General Call address | 0x0006    |

**Table 11** Reset through the General Call address (Clear blocks are controlled by the microcontroller, grey blocks by the sensor.).

<sup>10</sup> The « sgp30\_measure\_test » command is intended for production line testing and verification only. It should not be used after having issued an “sgp30\_iaq\_init” command. For the duration of the « sgp30\_measure\_test » command, the sensor is operated in measurement mode with a supply current as specified in **Table 3**. After the command, the sensor is in sleep mode.

## 6.5 Get Serial ID

The readout of the serial ID register can be used to identify the chip and verify the presence of the sensor. The appropriate command structure is shown in **Table 12**. After issuing the measurement command and sending the ACK Bit the sensor needs the time  $t_{IDLE} = 0.5\text{ms}$  to respond to the I<sup>2</sup>C read header with an ACK Bit. Hence, it is recommended to wait  $t_{IDLE} = 0.5\text{ms}$  before issuing the read header.

The get serial ID command returns 3 words, and every word is followed by an 8-bit CRC checksum. Together the 3 words constitute a unique serial ID with a length of 48 bits.

The ID returned with this command are represented in the big endian (or MSB first) format.

| Command       | Hex. Code |
|---------------|-----------|
| Get Serial ID | 0x3682    |
|               |           |

**Table 12** Get serial ID command.

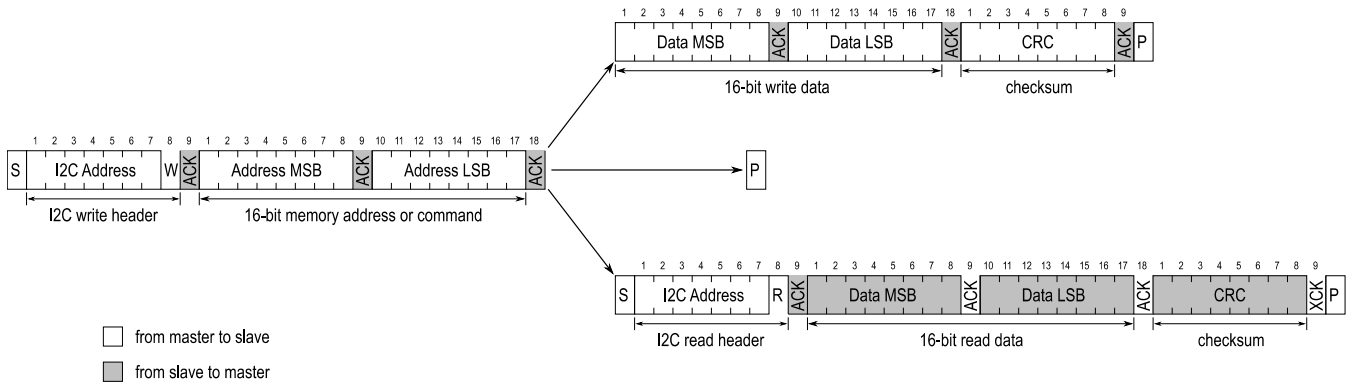
## 6.6 Checksum Calculation

The 8-bit CRC checksum transmitted after each data word is generated by a CRC algorithm. Its properties are displayed in **Table 13**. The CRC covers the contents of the two previously transmitted data bytes. To calculate the checksum only these two previously transmitted data bytes are used.

| Property       | Value                          |
|----------------|--------------------------------|
| Name           | CRC-8                          |
| Width          | 8 bit                          |
| Protected Data | read and/or write data         |
| Polynomial     | 0x31 ( $x^8 + x^5 + x^4 + 1$ ) |
| Initialization | 0xFF                           |
| Reflect input  | False                          |
| Reflect output | False                          |
| Final XOR      | 0x00                           |
| Examples       | CRC (0xBEEF) = 0x92            |

**Table 13** I<sup>2</sup>C CRC properties.

## 6.7 Communication Data Sequences



**Figure 10** Communication sequence for starting a measurement and reading measurement results.

## 7 Quality

### 7.1 Environmental Stability

The qualification of the SGP30 was performed based on the JEDEC JESD47 qualification test method.

### 7.2 Material Contents

The device is fully RoHS and WEEE compliant, e.g., free of Pb, Cd, and Hg.

## 8 Device Package

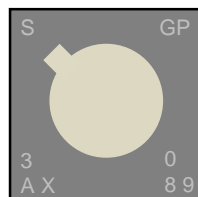
SGP30 sensors are provided in a DFN (dual flat no leads) package with an outline of  $2.45 \times 2.45 \times 0.9 \text{ mm}^3$  and a terminal pitch of 0.8 mm. The circular sensor opening of maximally 1.6 mm diameter is centered on the top side of the package. The sensor chip is assembled on a Ni/Pd/Au plated copper lead frame. Sensor chip and lead frame are over-molded by a black, epoxy-based mold compound. Please note that the side walls of the package are diced and therefore the lead frame sidewall surfaces are not plated.

### 8.1 Moisture Sensitivity Level

The Moisture Sensitivity Level classification of the SGP30 is MSL1, according to IPC/JEDEC J-STD-020.

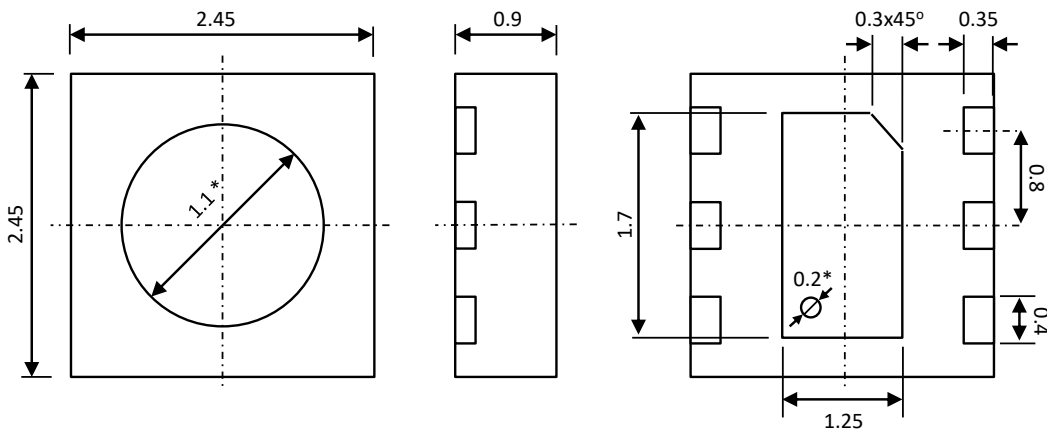
### 8.2 Traceability

All SGP30 sensors are laser marked for simple identification and traceability. The marking on the sensor consists of the product name and a 4-digit, alphanumeric tracking code. This code is used by Sensirion for batch-level tracking throughout production, calibration, and testing. Detailed tracking data can be provided upon justified request. The pin-1 location is indicated by the keyhole pattern in the light-colored central area. See **Figure 11** for illustration.



**Figure 11** Laser marking on SGP30. The pin-1 location is indicated by the keyhole pattern in the light-colored central area. The bottom line contains a 4-digit alphanumeric tracking code

### 8.3 Package Outline

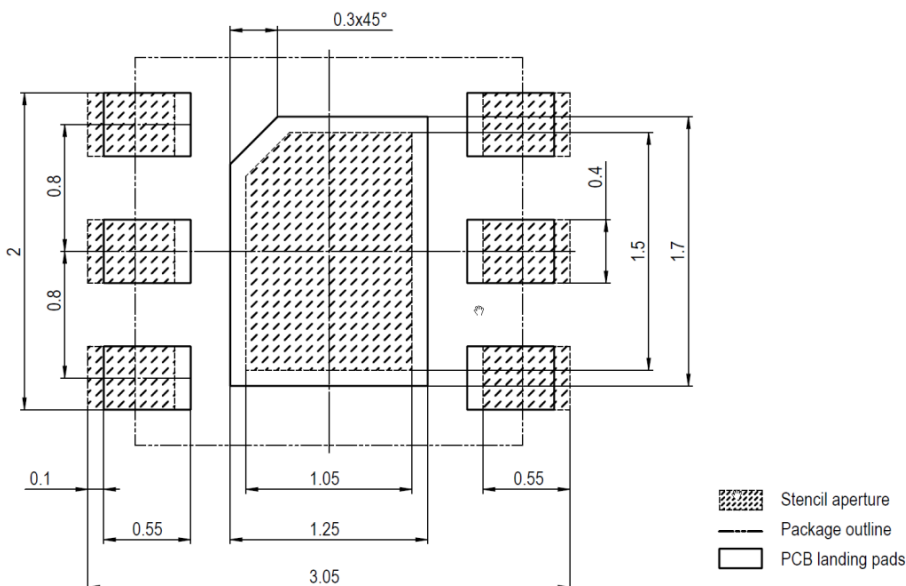


**Figure 12** Package outlines drawing of the SGP30 with nominal values. Dimensions are given in millimeters. The die pad shows a small recess in the bottom left part. \* These dimensions are not well defined and given as a reference only.

### 8.4 Landing Pattern

**Figure 13** shows the PCB landing pattern. The landing pattern is understood to be the metal layer on the PCB, onto which the DFN pads are soldered. The solder mask is understood to be the insulating layer on top of the PCB covering the copper traces. It is recommended to design the solder mask as a Non-Solder Mask Defined (NSMD) type. For solder paste printing it is recommended to use a laser-cut, stainless steel stencil with electro-polished trapezoidal walls and with 0.125 to 0.150 mm stencil thickness. The length of the stencil apertures for the I/O pads should be the same as the PCB pads. However, the position of the stencil apertures should have an offset of 0.1 mm away from the package center, as indicated in **Figure 13**. The die pad aperture should cover 70 – 90 % of the die pad area, resulting in a size of about 1.05 mm x 1.5 mm.

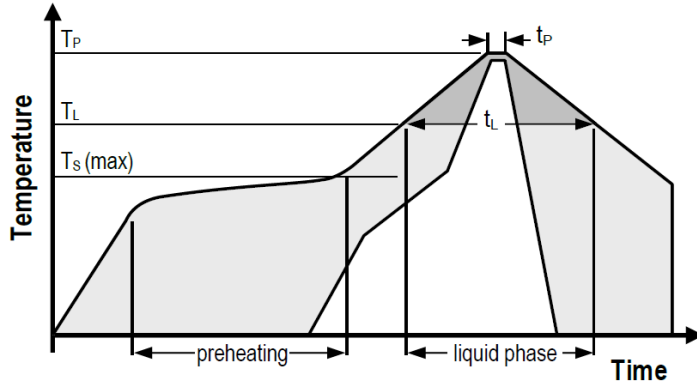
For information on the soldering process and further recommendation on the assembly process please contact Sensirion.



**Figure 13** Recommended landing pattern.

## 8.5 Soldering Instructions

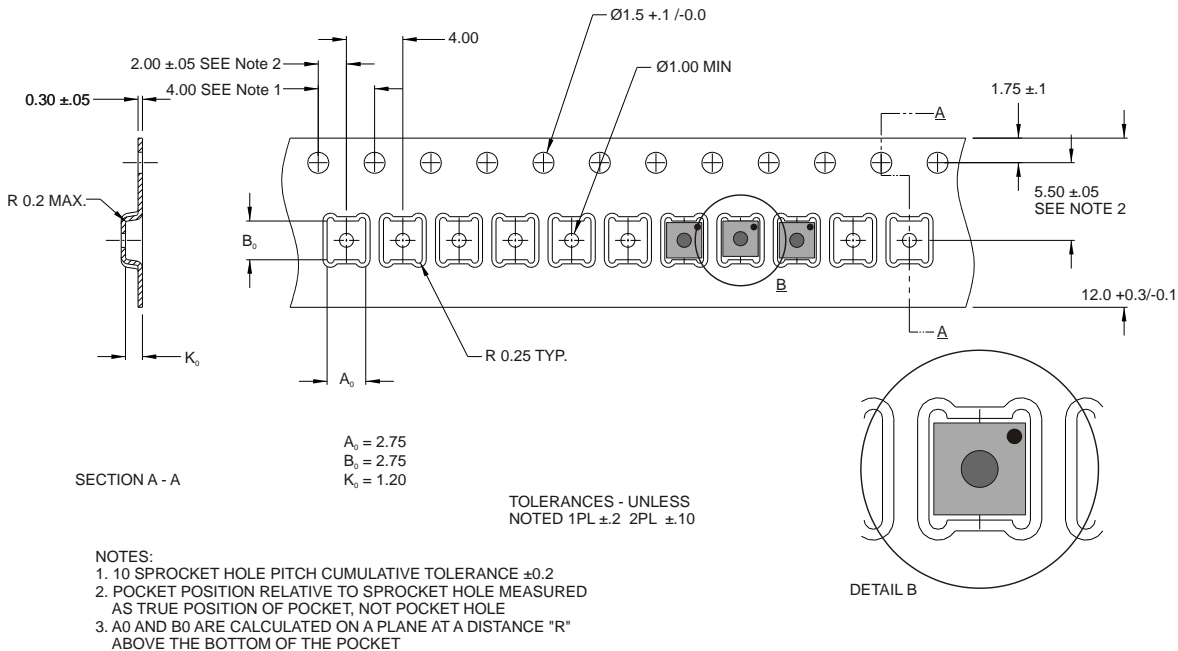
Standard reflow soldering ovens may be used for soldering. The sensors are designed to withstand a soldering profile according to IPC/JEDEC J-STD-020. Peak temperatures of  $T_P = 245\text{ }^\circ\text{C}$  during up to  $t_p = 30$  seconds for Pb-free assembly in IR/Convection reflow ovens (see **Figure 14**) are recommended. In addition, we also recommend a maximum ramp-down rate of  $< 4\text{ }^\circ\text{C/s}$ .



**Figure 14** Soldering profile according to JEDEC standard. Recommended conditions are  $T_P = 245\text{ }^\circ\text{C}$  and  $t_p \leq 30$  sec for Pb-free assembly,  $T_L < 220\text{ }^\circ\text{C}$  and  $t_L < 150$  s. Ramp-up rate  $< 3\text{ }^\circ\text{C/s}$  and ramp-down rate  $< 4\text{ }^\circ\text{C/s}$ .

It is recommended not to use vapor phase soldering to avoid potential contamination of the sensor. Please refer to Handling and Assembly Guideline for Sensirion Gas Sensors on Sensirion webpage for full documentation.

## 9 Tape & Reel Package



**Figure 15** Technical drawing of the packaging tape with sensor orientation in tape. Header tape is to the right and trailer tape to the left on this drawing. Dimensions are given in millimeters.

## 10 Ordering Information

Use the part names and product numbers shown in the following table when ordering the SGP30 multi-pixel gas sensor. For the latest product information and local distributors, visit [www.sensirion.com](http://www.sensirion.com).

| Part Name                     | Tape & Reel Size | Product Number |
|-------------------------------|------------------|----------------|
| SGP30, TAPE ON REEL, 2500 PCS | 2500             | 1-101646-01    |

**Table 14** SGP30 ordering options



## 1 Important Notices

### a. Warning, Personal Injury

**Do not use this product as safety or emergency stop devices or in any other application where failure of the product could result in personal injury. Do not use this product for applications other than its intended and authorized use. Before installing, handling, using or servicing this product, please consult the data sheet and application notes. Failure to comply with these instructions could result in death or serious injury.**

If the Buyer shall purchase or use SENSIRION products for any unintended or unauthorized application, Buyer shall defend, indemnify and hold harmless SENSIRION and its officers, employees, subsidiaries, affiliates and distributors against all claims, costs, damages and expenses, and reasonable attorney fees arising out of, directly or indirectly, any claim of personal injury or death associated with such unintended or unauthorized use, even if SENSIRION shall be allegedly negligent with respect to the design or the manufacture of the product.

### b. ESD Precautions

The inherent design of this component causes it to be sensitive to electrostatic discharge (ESD). To prevent ESD-induced damage and/or degradation, take customary and statutory ESD precautions when handling this product. See application note "ESD, Latchup and EMC" for more information.

### c. Warranty

SENSIRION warrants solely to the original purchaser of this product for a period of 12 months (one year) from the date of delivery that this product shall be of the quality, material and workmanship defined in SENSIRION's published specifications of the product. Within such period, if proven to be defective, SENSIRION shall repair and/or replace this product, in SENSIRION's discretion, free of charge to the Buyer, provided that: notice in writing describing the defects shall be given to SENSIRION within fourteen (14) days after their appearance; such defects shall be found, to SENSIRION's reasonable satisfaction, to have arisen from SENSIRION's faulty design, material, or workmanship; the defective product shall be returned to SENSIRION's factory at the Buyer's expense; and the warranty period for any repaired or replaced product shall be limited to the unexpired portion of the original period.

This warranty does not apply to any equipment which has not been installed and used within the specifications recommended by SENSIRION for the intended and proper use of the equipment. EXCEPT FOR THE WARRANTIES EXPRESSLY SET FORTH HEREIN, SENSIRION MAKES NO WARRANTIES, EITHER EXPRESS OR IMPLIED, WITH RESPECT TO THE PRODUCT. ANY AND ALL WARRANTIES, INCLUDING WITHOUT LIMITATION, WARRANTIES OF MERCHANTABILITY OR FITNESS FOR A PARTICULAR PURPOSE, ARE EXPRESSLY EXCLUDED AND DECLINED.

SENSIRION is only liable for defects of this product arising under the conditions of operation provided for in the data sheet and proper use of the goods. SENSIRION explicitly disclaims all warranties, express or implied, for any period during which the goods are operated or stored not in accordance with the technical specifications.

SENSIRION does not assume any liability arising out of any application or use of any product or circuit and specifically disclaims any and all liability, including without limitation consequential or incidental damages. All operating parameters, including without limitation recommended parameters, must be validated for each customer's applications by customer's technical experts. Recommended parameters can and do vary in different applications.

SENSIRION reserves the right, without further notice, (i) to change the product specifications and/or the information in this document and (ii) to improve reliability, functions and design of this product.

Copyright© 2019, by SENSIRION.

CMOSens® is a trademark of Sensirion

All rights reserved

## 11 Headquarters and Subsidiaries

### **Sensirion AG**

Laubisruetistr. 50  
CH-8712 Staefa ZH  
Switzerland

phone: +41 44 306 40 00  
fax: +41 44 306 40 30  
[info@sensirion.com](mailto:info@sensirion.com)  
[www.sensirion.com](http://www.sensirion.com)

### **Sensirion Taiwan Co. Ltd**

phone: +886 3 5506701  
[info@sensirion.com](mailto:info@sensirion.com)  
[www.sensirion.com](http://www.sensirion.com)

### **Sensirion Inc., USA**

phone: +1 312 690 5858  
[info-us@sensirion.com](mailto:info-us@sensirion.com)  
[www.sensirion.com](http://www.sensirion.com)

### **Sensirion Japan Co. Ltd.**

phone: +81 3 3444 4940  
[info-jp@sensirion.com](mailto:info-jp@sensirion.com)  
[www.sensirion.co.jp](http://www.sensirion.co.jp)

### **Sensirion Korea Co. Ltd.**

phone: +82 31 337 7700~3  
[info-kr@sensirion.com](mailto:info-kr@sensirion.com)  
[www.sensirion.co.kr](http://www.sensirion.co.kr)

### **Sensirion China Co. Ltd.**

phone: +86 755 8252 1501  
[info-cn@sensirion.com](mailto:info-cn@sensirion.com)  
[www.sensirion.com.cn](http://www.sensirion.com.cn)

To find your local representative, please visit [www.sensirion.com/distributors](http://www.sensirion.com/distributors)