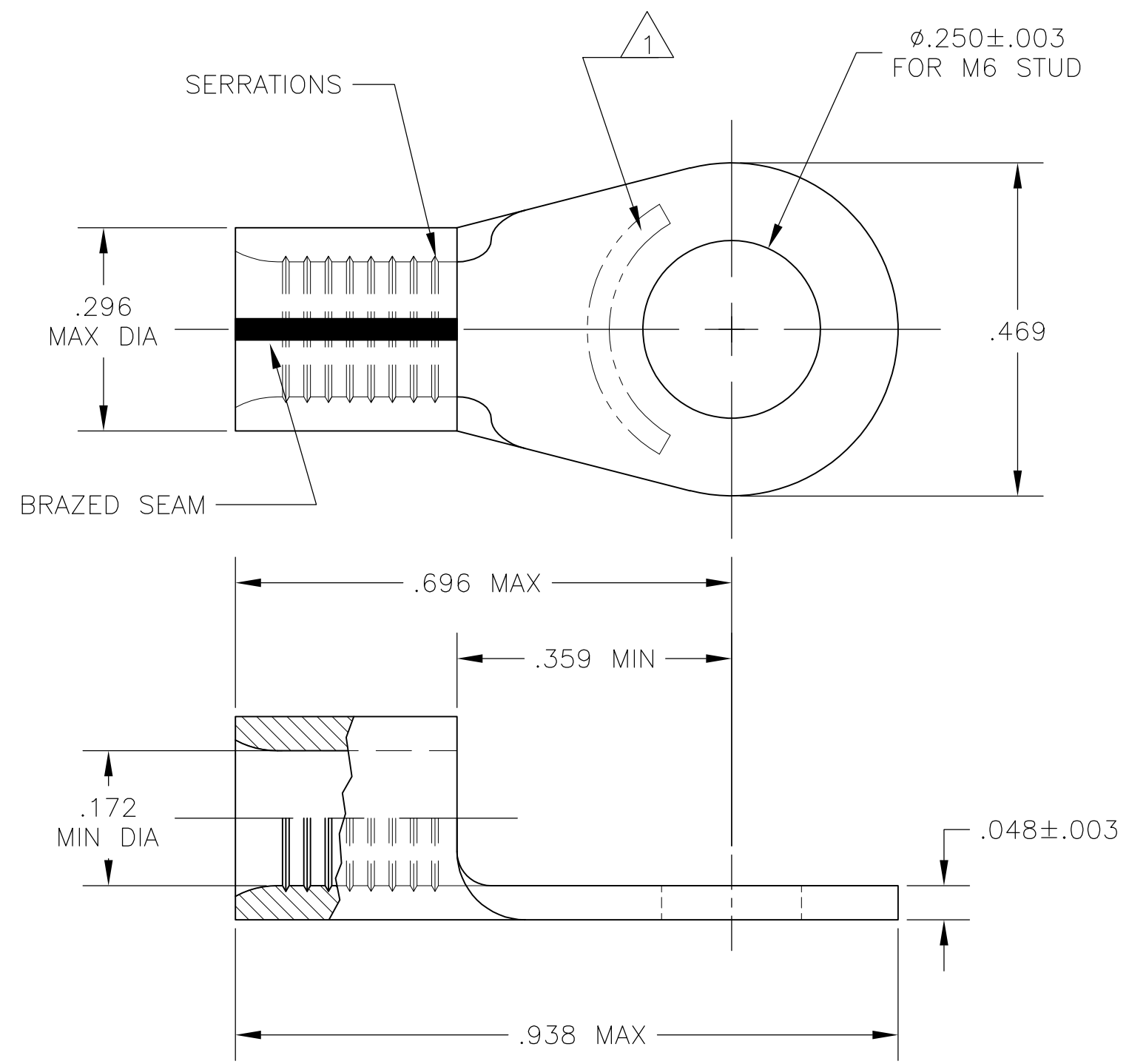


THIS DRAWING IS UNPUBLISHED. RELEASED FOR PUBLICATION  
 © COPYRIGHT - By - ALL RIGHTS RESERVED.

LOC	DIST	REVISIONS					
G	14	P	LTR	DESCRIPTION	DATE	DWN	APVD
			A4	REVISED PER ECO-14-017801	26NOV2014	NK	DR



- 1 STAMP AMP 8, APPROX AS SHOWN.
- 2 MAX RECOMMENDED OPERATING TEMP. IS 170°C MAX
- 3 VOLTAGE RATING IS NOT APPLICABLE.
- 4 WIRE CROSS SECTIONAL AREA RANGE: 13,100-20,800 CMA / 6.64-10.5mm<sup>2</sup>
- 5 COPPER PER ASTM B-152, ANNEALED.
- 6 .000100 MIN TIN PLATE PER ASTM B-545.

6	130550
FINISH	PART NO

THIS DRAWING IS A CONTROLLED DOCUMENT.		DWN JR RUTH 13FEB06	<b>STE</b> TE Connectivity		
DIMENSIONS: INCHES		CHK T MICHELUTTI 13FEB06			
TOLERANCES UNLESS OTHERWISE SPECIFIED:		APVD T MICHELUTTI 13FEB06	NAME TERMINAL, RING TONGUE, SOLISTRAND, WIRE SIZE: #8		
0 PLC ± -		PRODUCT SPEC	APPLICATION SPEC		
1 PLC ± -		SIZE		CAGE CODE	DRAWING NO
2 PLC ± -		A3		00779	C-130550
3 PLC ± .008		WEIGHT		RESTRICTED TO	
4 PLC ± -		-		-	
ANGLES ± 5°		CUSTOMER DRAWING		SCALE	SHEET
MATERIAL		FINISH		5:1	1 OF 1
5		SEE TABLE		REV	A4