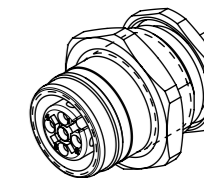
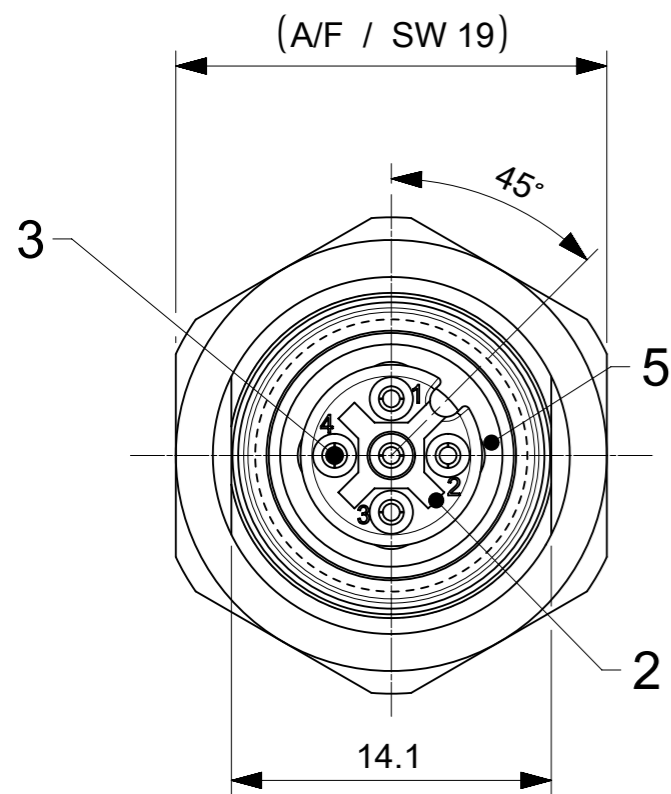


ELECTRICAL SPECIFICATIONS :

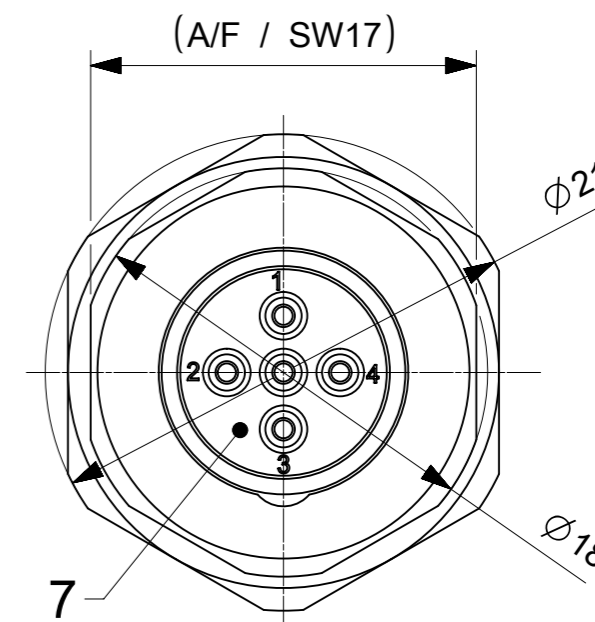
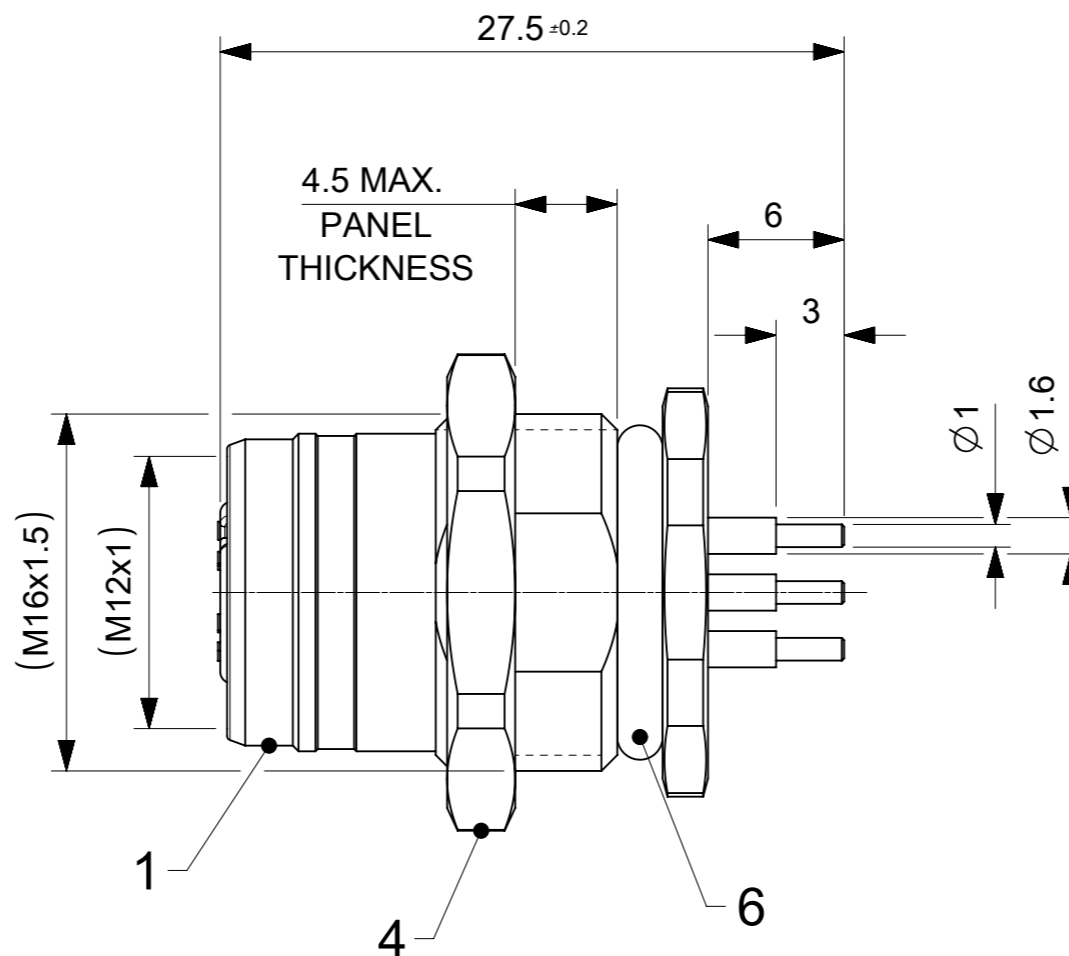
VOLTAGE RATING : 60V AC/DC
CURRENT RATING : 4 A



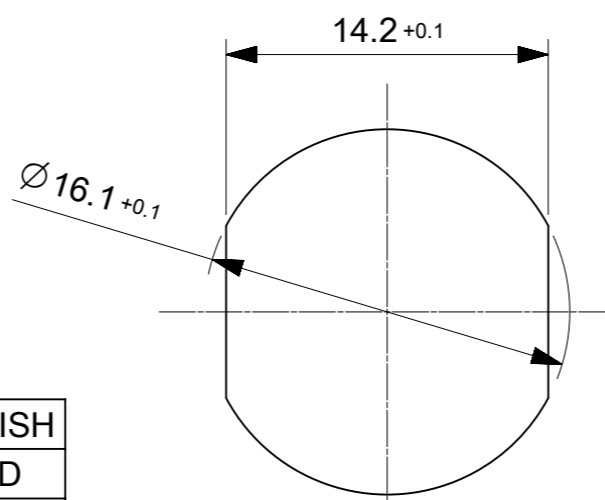
SCALE 1:1



VIEW FROM FRONT SIDE



VIEW FROM BACK SIDE



TYPICAL PANEL CUTOUT

BOM

ITEM	DESCRIPTION	QTY.	MATERIAL	COLOR/FINISH
1	RECEPTICLE SHELL FEMALE	1	BRASS	Ni-PLATED
2	INSERT FEMALE	1	PUR	BLACK
3	FEMALE CONTACT	5	BRASS	GOLD PLATED
4	M16 COUPLING NUT	1	BRASS	Ni-PLATED
5	GASKET OR	1	FPM	RED
6	O-Ring	1	NBR	BLACK
7	POTTING MATERIAL	-	WEVO	-

MOLEX P/N	ENGINEERING No.
1200840030	WR5U40000

SYMBOLS ▽ = 0 ▽ = 0 ▽ = 0 ▽ = 0 ▽ = 0 ▽ = 0 ▽ = 0 ▽ = 0 ▽ = 0 ▽ = 0 ▽ = 0 ▽ = 0	THIS DRAWING CONTAINS INFORMATION THAT IS PROPRIETARY TO MOLEX ELECTRONIC TECHNOLOGIES, LLC AND SHOULD NOT BE USED WITHOUT WRITTEN PERMISSION	SCALE 3:1	CURRENT REV DESC:		
	mm	GENERAL TOLERANCES (UNLESS SPECIFIED)	EC NO: 628203	2019/11/21	
	ANGULAR TOL ± 1.0°	4 PLACES ±	DRWN: SSM	2019/11/21	
	3 PLACES ±	2 PLACES ± 0.05	CHK'D: RSILLER	2019/11/27	
1 PLACE ± 0.1	0 PLACES ± 0.2	APPR: RSILLER	2019/11/27		
DRAFT WHERE APPLICABLE MUST REMAIN WITHIN DIMENSIONS	THIRD ANGLE PROJECTION	DRAWING	SERIES	MATERIAL NUMBER	CUSTOMER
		A3-SIZE	120084	1200840030	GENERAL MARKET



MIC 5P FR ST PCB MOUNT

PRODUCT CUSTOMER DRAWING

DOCUMENT NUMBER	DOC TYPE	DOC PART	REVISION
1200840030	PSD	000	A

6

5

4

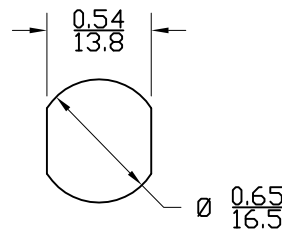
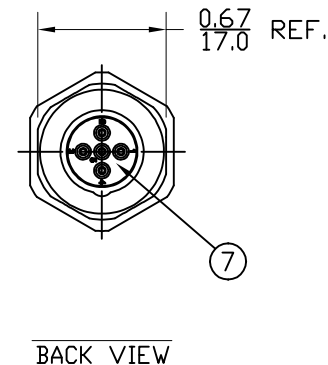
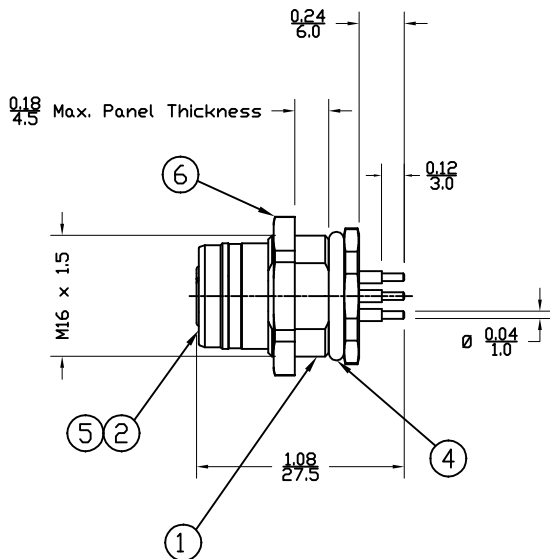
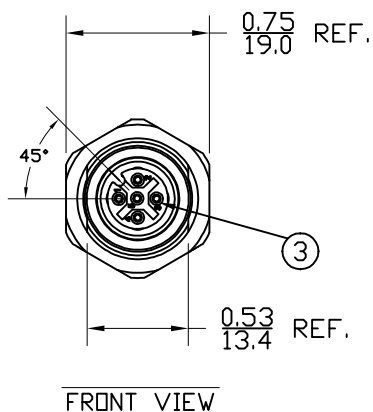
3

2

1

SAP P/N#	ENGINEERING NO.
1200840030	WR5U40000

AUX VIEW
SCALE 3/4



- NOTES:
1. MATERIAL: SEE TABLE
 2. FINISHES: SEE TABLE
 3. MATES WITH: M12 MALE CORD ASSY
 4. ELECTRICAL SPECIFICATIONS:
VOLTAGE RATING: 60V AC/DC
CURRENT RATING: 4 AMPS
 5. ASSEMBLY IS RoHS COMPLIANT

ITEM	QTY.	DESCRIPTION	MATERIAL	FINISH
7	1	POTTING MATERIAL	EPDXY	
6	1	PANEL NUT, M16 X 1.5	Cu ALLOY	NICKEL PLATED
5	1	O-RING	VITON	RED
4	1	O-RING	NITRILE	BLACK
3	5	SOCKET CONTACT	Cu ALLOY	GOLD PLATED
2	1	INSERT	NYLON	BLACK
1	1	RECEPTACLE SHELL	BRASS	NICKEL PLATED

SD RELEASE EC NO: WEL2010-0046 DRWN: VOU 8/28/09 CHKD: BWOODMAN09/08/31 APPR: JFMURPHY 2009/08/31	QUALITY SYMBOLS ▽=0 ∇=0	GENERAL TOLERANCES (UNLESS SPECIFIED)		DIMENSION STYLE INCH/MM		SCALE 1:1	DESIGN UNITS INCH	THIRD ANGLE PROJECTION	
		4 PLACES	±----	±----	DRAWN BY VOU	DATE 2009/08/28	TITLE ULTRA-LOCK RECPT BPM M16 FEMALE 5P M12 A-CODE PCB MOUNT		
		3 PLACES	±----	±0.005	CHECKED BY BWOODMAN	DATE 2009/08/31			
		2 PLACES	±----	±0.010	APPROVED BY JFMURPHY	DATE 2009/08/28	MOLEX INCORPORATED		
1 PLACE	±----	±0.020	ANGULAR ±1°		MATERIAL NO.	DOCUMENT NO. SD-120084-009	SHEET NO. 1 OF 1		
DRAFT WHERE APPLICABLE MUST REMAIN WITHIN DIMENSIONS				SEE CHART		THIS DRAWING CONTAINS INFORMATION THAT IS PROPRIETARY TO MOLEX INCORPORATED AND SHOULD NOT BE USED WITHOUT WRITTEN PERMISSION			
				SIZE A					

6

5

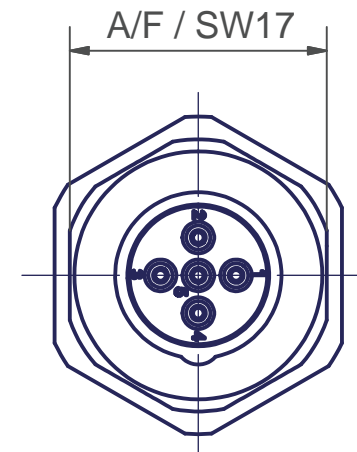
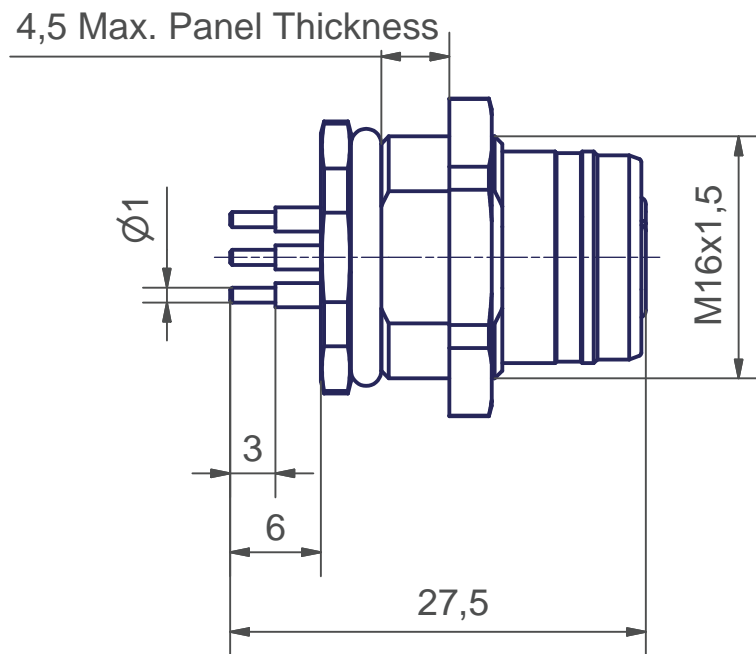
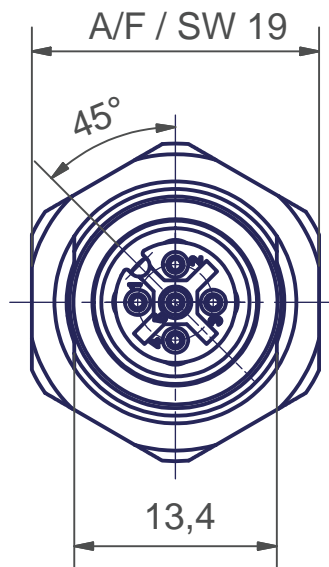
4

3

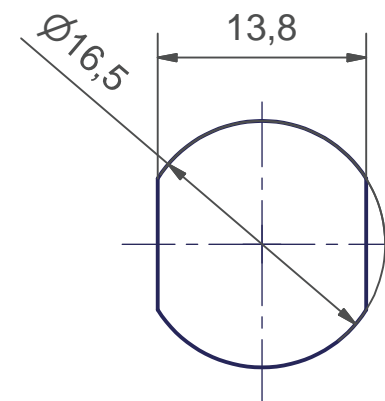
2

1

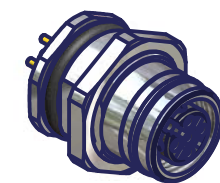
Art. Nr. / p/n	SAP Nr.
WR5U40000	1200840030



Typical Knockout



(1:1)



Allgemeine Kennwerte General Characteristics		Norm Standard			
Polzahl	Number of contacts	IEC 947-5-2	5		
Bemessungsspannung	Rated Voltage	IEC 664	60V AC / DC		
Verschmutzungsgrad	Pollution Degree	IEC 664	3		
Betriebsstrom	Current carrying capacity	IEC 512-3 Test 5 b	4A		
Durchgangswiderstand	Contact Resistance	IEC 512-2 Test 2 A	< 5mΩ		
Bemessungsstoßspannung	Rated Impulse	IEC 664	2kV		
Prüfspannung	Test Voltage	IEC 60512-2 Test 4 A	1 kV / 60 sec		
Isolationswiderstand	Insulation Resistance	IEC 512-2 Test 3 A	< 10 GΩ		
IP - Schutzart	IP Degree Of Protection	IEC 529	IP 67		
Stift Durchmesser	Pin Diameter		1,0mm		
Werkstoffe	Kontakte	Materials	Contacts	Kupferlegierung / copper alloy	
	Kontaktoberfläche		Contacts Plating	Au/Ni	
	Kontaktträger		Dielectric Material	PA 6.6	
	Dichtung (O-Ring)		Gaskets (O-Ring)	NBR	
	Gehäuse		Housing	CuZn (brass) mit Ni-Oberfläche Nickel Plated	
Anschlußart	Termination		Solder		
Brennbarkeit	Kontaktträger	Flammfähigkeit	Inserts	UL 94	V-0
	Leitung / Kabel		Cable		VDE 0472 / 804
Mechanische Lebensdauer	Mechanical Operation		500 Steckzyklen / Mating Cycles		
Temperaturbereich	Temperature Range	IEC 60668-1	-25°C / +90°C		

This drawing and its contents are the proprietary and confidential property of Woodhead Industries Inc. and/or its subsidiaries and may not be used or disclosed to others without the express prior written consent of Woodhead Industries Inc. and/or its subsidiaries.					
		UNLESS OTHERWISE SPECIFIED x = ± 1 X.X = ± 0,1 X.XX = ± 0,05 Winkel = 1°		Scale 2:1 (1:1)	Dimensions mm
PROJECTION 1 : GER				Material Finish	
		Date	Name	M12U Rec 5-P Female Back Shielded	
		PROC 20.11.2007	US	M16x1,5	
		CHK 20.11.2007	NS		
		Norm. 20.11.2007	NS		
		Woodhead Connectivity GmbH			
		Gewerbstraße 60 75015 Bretten-Gölshausen Tel.: 07252/9496-0 Fax: 07252/9496-199			
01	WEU2009-0056	20.11.07	US	SD-WR5U40000	
Rev.	Change	Date	Name	Sheet 1	
				A3	
				Filename SD-WR5U40000.idw	