

**FEATURES**

- ※Both ON/OFF position applicable for soldering process.
- ※Gold contact for high reliability
- ※Red, blue, and black color options.

**APPLICATION**

- ※Industrial control
- ※Computers and peripherals
- ※Variety of function controls

**SPECIFICATION**

|                       |                    |
|-----------------------|--------------------|
| Contact Rating        | 25mA, 24V DC       |
| Contact Resistance    | 50mΩ max.          |
| Insulation Resistance | 100MΩ min. 500V DC |
| Dielectric Strength   | 500V AC/1 minute   |
| Operating Force       | 1,000gf max.       |
| Travel                | 2mm                |
| Operating Life        | 2,000 cycles       |
| Operating Temp.       | -40°C ~ +85°C      |
| Storage Temp.         | -40°C ~ +85°C      |

**CIRCUIT**



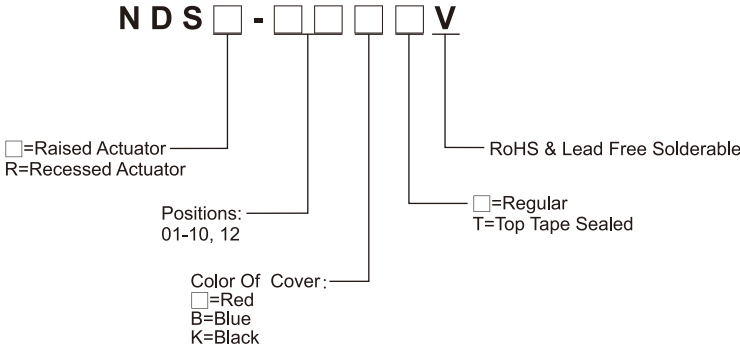
**PACKAGE**

**<Tube>**

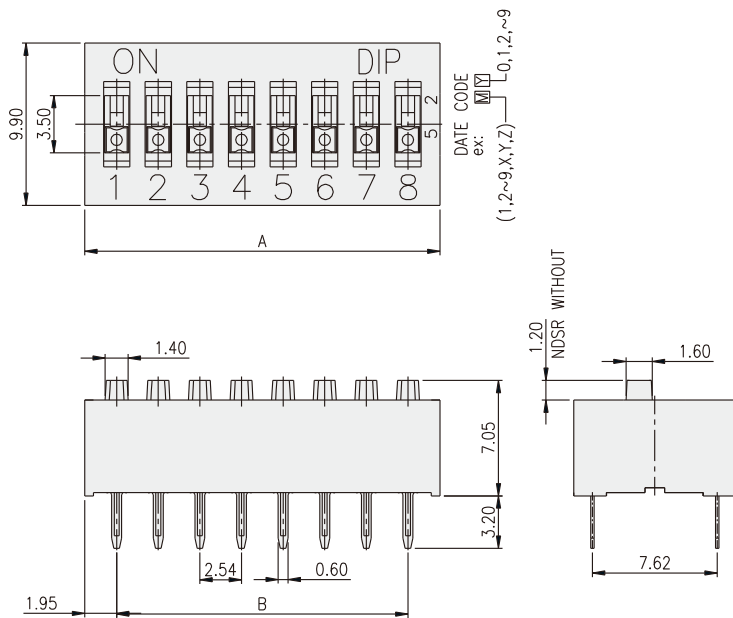
|                    |                     |
|--------------------|---------------------|
| NDS(R)-01: 120 pcs | NDS(R)-01T: 110 pcs |
| NDS(R)-02: 72 pcs  | NDS(R)-02T: 70 pcs  |
| NDS(R)-03: 51 pcs  | NDS(R)-03T: 50 pcs  |
| NDS(R)-04: 40 pcs  | NDS(R)-04T: 39 pcs  |
| NDS(R)-05: 32 pcs  | NDS(R)-05T: 32 pcs  |
| NDS(R)-06: 27 pcs  | NDS(R)-06T: 27 pcs  |
| NDS(R)-07: 24 pcs  | NDS(R)-07T: 24 pcs  |
| NDS(R)-08: 21 pcs  | NDS(R)-08T: 21 pcs  |
| NDS(R)-09: 19 pcs  | NDS(R)-09T: 19 pcs  |
| NDS(R)-10: 17 pcs  | NDS(R)-10T: 17 pcs  |
| NDS(R)-12: 14 pcs  | NDS(R)-12T: 14 pcs  |

DIP SWITCH

**HOW TO ORDER**



**NDS(R)**



| PART NO.  | NO.OF POS. | DIM.A | DIM.B |
|-----------|------------|-------|-------|
| NDS(R)-01 | 1          | 3.90  |       |
| NDS(R)-02 | 2          | 6.44  | 2.54  |
| NDS(R)-03 | 3          | 8.98  | 5.08  |
| NDS(R)-04 | 4          | 11.52 | 7.62  |
| NDS(R)-05 | 5          | 14.06 | 10.16 |
| NDS(R)-06 | 6          | 16.60 | 12.70 |
| NDS(R)-07 | 7          | 19.14 | 15.24 |
| NDS(R)-08 | 8          | 21.68 | 17.78 |
| NDS(R)-09 | 9          | 24.22 | 20.32 |
| NDS(R)-10 | 10         | 26.76 | 22.86 |
| NDS(R)-12 | 12         | 31.84 | 27.94 |

