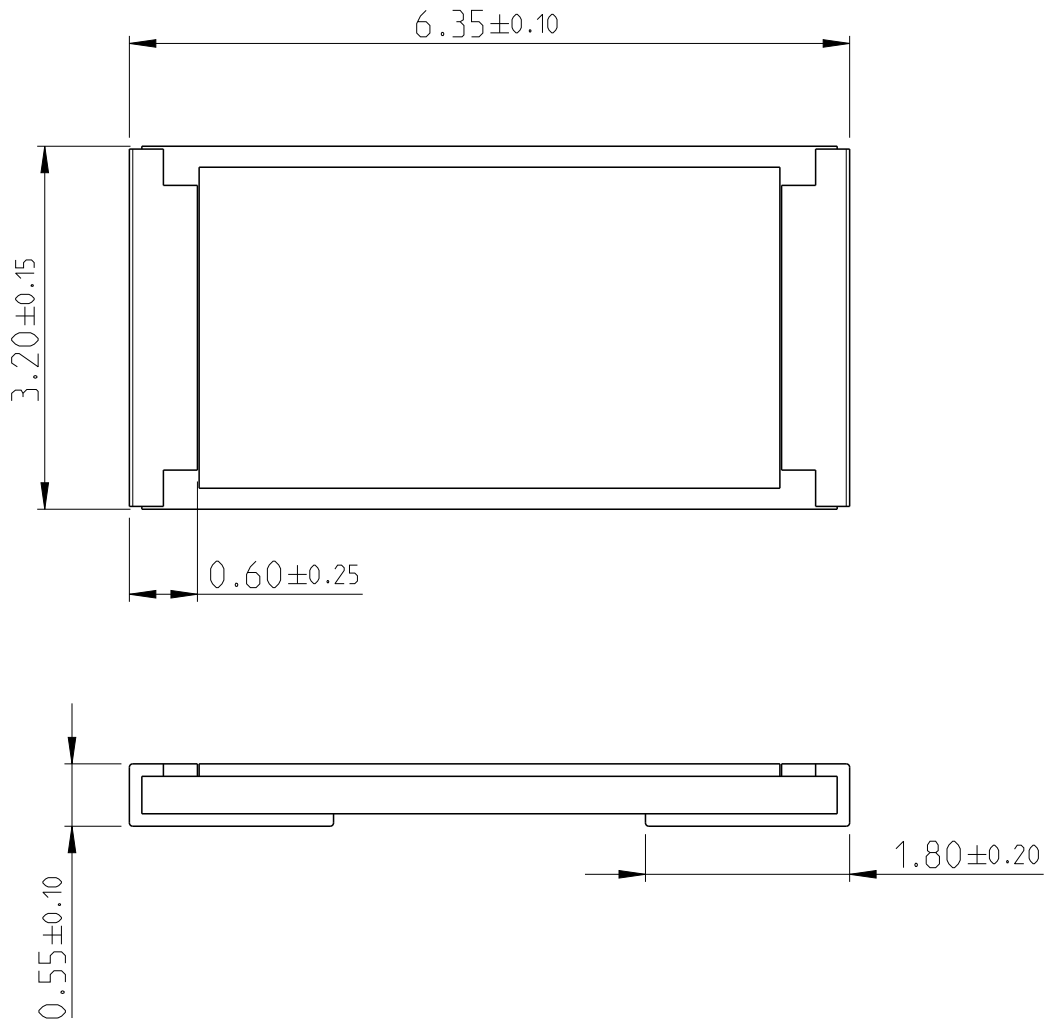
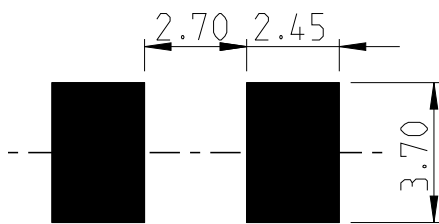


| | | | | | | | |
|-----|------|-----------|---------------|-------------|-------------|-----|------|
| LOC | DIST | REVISIONS | | | | | |
| - | - | P | LTR | DESCRIPTION | DATE | DWN | APVD |
| | | BB1 | ECR-15-009470 | | 24 JUN 2015 | KR | TN |

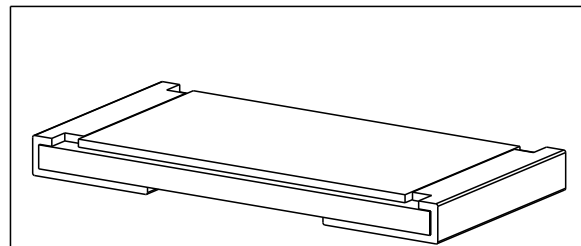


FOR FURTHER INFORMATION SEE PRODUCT SPECIFICATION FOR CRGH SERIES

RoHS Compliant



PCB LAYOUT PLAN





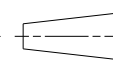
20
RELEASED FOR PUBLICATION

ALL RIGHTS RESERVED.

THIS DRAWING IS UNPUBLISHED.

BY -

© COPYRIGHT 20

| | | | |
|---|-------------------------------------|--|---------------|
| DIMENSIONS: mm | DWN RAGHAVENDRA K 27 JUN 2012 | MATERIAL | FINISH |
| TOLERANCES UNLESS OTHERWISE SPECIFIED: | CHK ALLAN P 27 JUN 2012 |  TE Connectivity | |
| 0 PLC ± | APVD TONY N 27 JUN 2012 | | |
| 1 PLC ±0.5 | PRODUCT SPEC | NAME SMD POWER RESISTORS - TYPE CRGH2512 SERIES | |
| 2 PLC ±0.13 | APPLICATION SPEC | SIZE | CAGE CODE |
| 3 PLC ±0.013 | | A 4 | 00779 |
| 4 PLC ±0.0001 | | DRAWING NO | RESTRICTED TO |
| ANGLES ± | WEIGHT | ©=1879501 | - |
|  | Customer Drawing | SCALE | SHEET |
|  | | 40:1 | 1 OF 1 |
| | | | REV BB1 |