

PRODUCT DATA DRAWING

REVISION HISTORY			
REV	DESCRIPTION	DATE	APPROVED
E	DCN 39397	09/12	STW

MATERIAL:

BODY,
PRESS CAP &
COUPLING NUT:

STAINLESS STEEL PER AMS-5640,
ALLOY UNS S30300, TYPE 1

LOCK RING:

PHOSPHOR BRONZE

CONTACT,
INSERT &
END CAP

BRASS PER ASTM B16, ALLOY UNS No. C36000

INSULATOR:

PTFE PER ASTM D1710, TYPE I, GRADE 1, CLASS B

GASKET:

SILICONE RUBBER PER A-A-59588,
CLASS 2B, GRADE 60/70

RESISTOR ELEMENT:

ALUMINA SUBSTRATE WITH
NICHROME RESISTOR

FINISH:

BODY,
PRESS CAP &
COUPLING NUT:

PASSIVATED PER AMS-2700

CONTACT:

.000050" MIN GOLD OVER .000100" MIN NICKEL

PERFORMANCE:

IMPEDANCE:

50 OHMS

FREQ. RANGE:

DC TO 18.0 GHz

VSWR:

1.05 + .010f(GHz), DC TO 18.0 GHz

OPERATING TEMP.:

-55°C TO +125°C

AVG. POWER:

1 WATT (POWER INPUT DERATED LINEARLY
FROM 25°C TO .5 WATTS AT 125°C)

PEAK POWER:

50 WATTS (PEAK POWER FOR A DUTY CYCLE
OF 5 X10⁻⁴ MAXIMUM PULSE DURATION OF
5 MICROSECONDS)

CONNECTOR

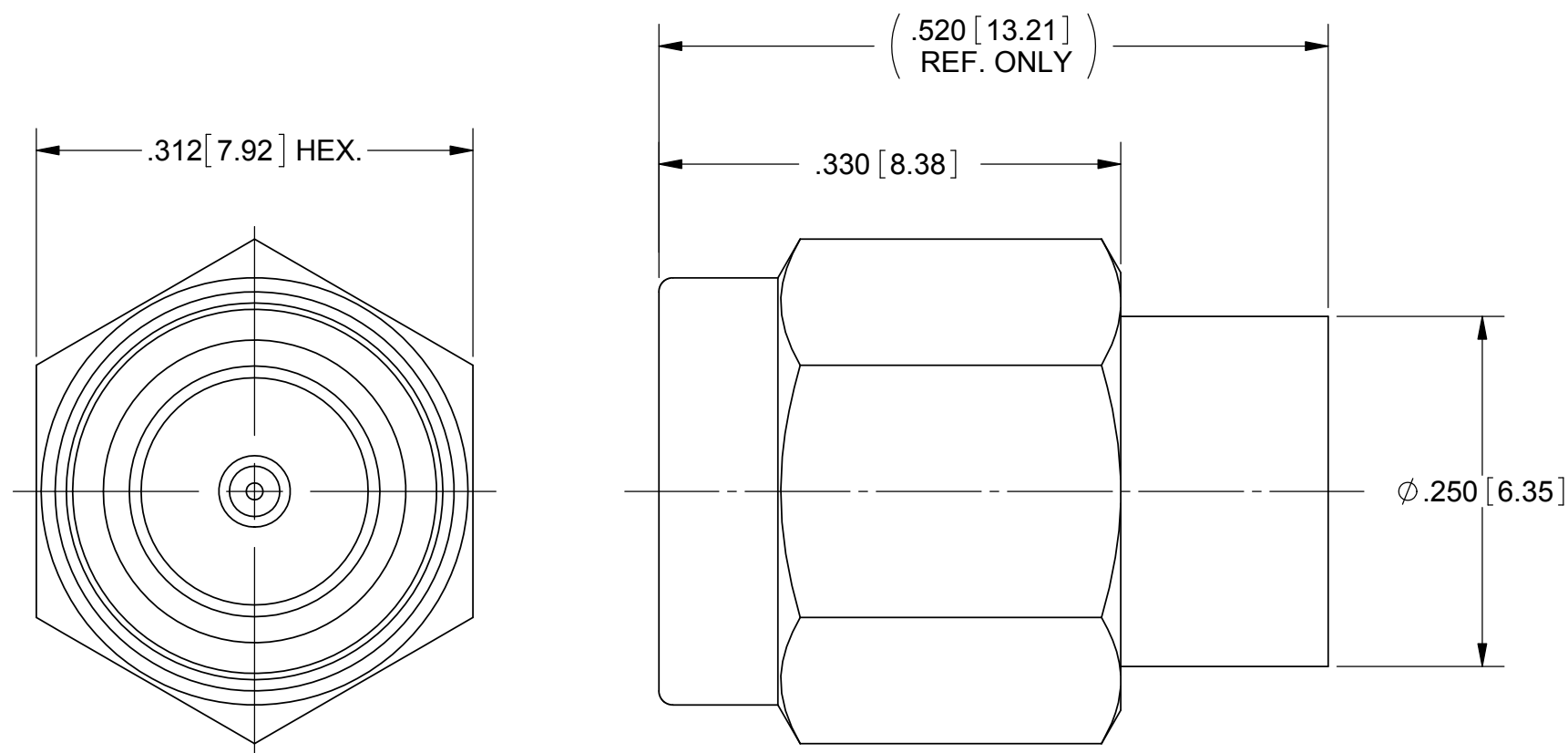
DURABILITY:

500 CYCLES

ENGAGEMENT/

DISENGAGEMENT:

2.0 IN-LBS



MATERIAL: SEE NOTES	DIMENSIONS ARE IN INCHES TOLERANCES: FRACTIONAL: ±1/64 ANGULAR: X° ±1'0" X'X' ±15'	UNLESS OTHERWISE SPECIFIED 1) ALL DIMENSIONS ARE IN INCHES (MILLIMETERS) 2) ALL DIMENSIONS ARE AFTER PLATING. 3) BREAK CORNERS & EDGES .005 R. MAX. 4) CHAM. 1ST & LAST THREADS. 5) SURFACE ROUGHNESS 63-MIL-STD-10. 6) DIA. 'S ON COMMON CENTERS TO BE CONCENTRIC WITHIN .005 T.I.R. 7) REMOVE ALL BURRS	SV Microwave, Inc. 2400 Centrepark West Drive, Suite 100 West Palm Beach, FL 33409
FINISH: SEE NOTES	DECIMAL: X ±.030 .XX ±.010 .XXX ±.005	INTERPRET DIMENSIONS AND TOLERANCES PER ASME Y14.5M - 1994	TITLE: SMA PLUG TERMINATION
SURFACE AREA: N/A	THIRD ANGLE PROJECTION	DRAWN: BRT 12/05/03	SIZE: B CAGE CODE: 95077 DWG. NO. SF8018-6005
PROPRIETARY THE INFORMATION CONTAINED IN THIS DRAWING IS THE SOLE PROPERTY OF SV MICROWAVE, INC. ANY REPRODUCTION IN PART OR AS A WHOLE WITHOUT THE WRITTEN PERMISSION OF SV MICROWAVE, INC IS PROHIBITED.		CHECKED: STW 06/30/11 APPROVED: BRT 12/05/03	SCALE: 8:1 SHEET 1 OF 1