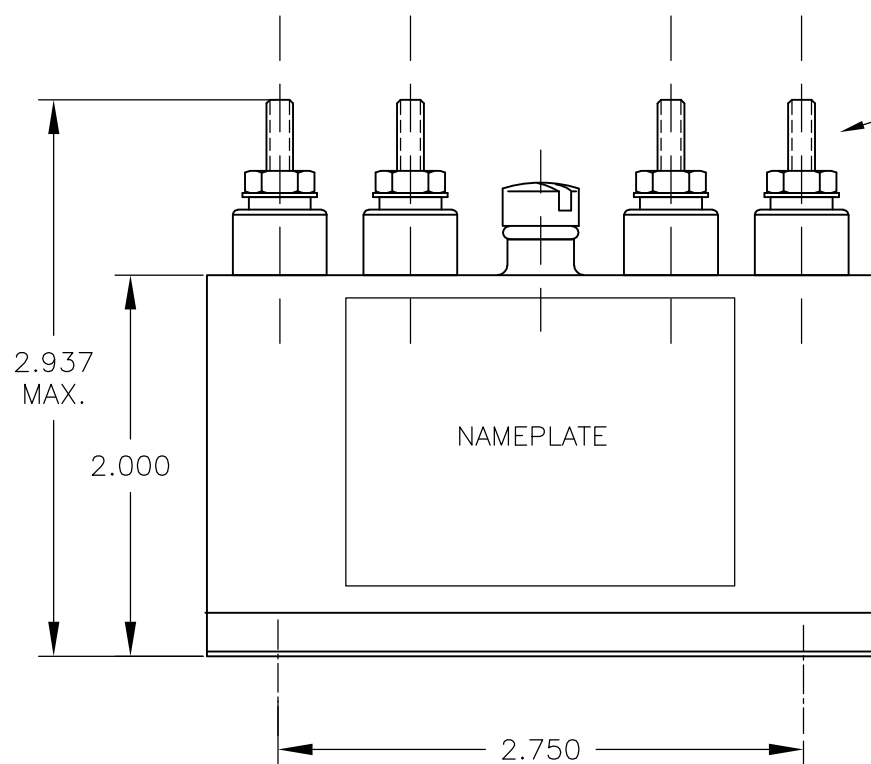
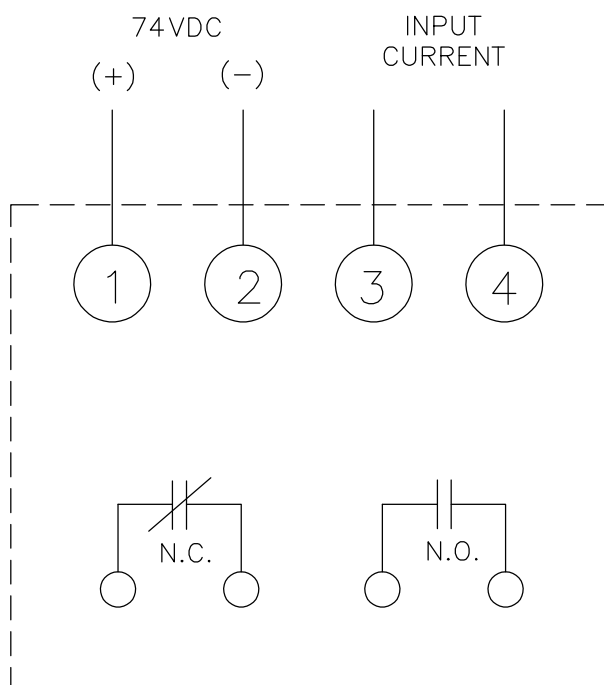


1 1/64" DIA.
4 MTG. HOLES

10-32 TERMINALS
(8 PLACES)



CONNECTION DIAGRAM

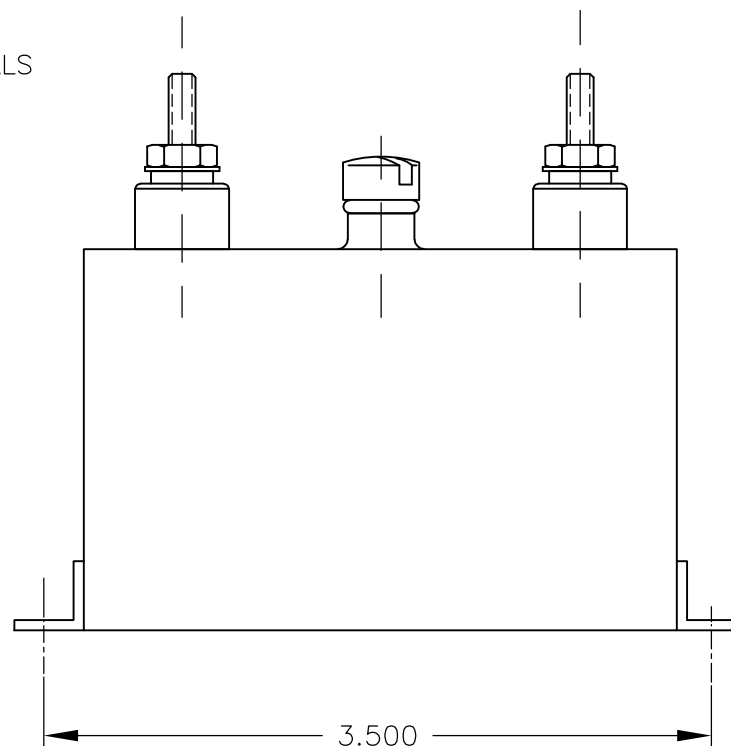


SPECIFICATIONS

- CONTROL VOLTAGE : 74 VOLTS DC.
- INPUT CURRENT : 0-30 AMP AC, 50Hz TO 500Hz.
- OPERATION : THE SELF CONTAINED OUTPUT RELAY ACTUATES WHEN INPUT CURRENT EXCEEDS THE PRESET VALUE.
- PICK-UP ADJUSTMENT RANGE : 7 AMPS TO 30 AMPS. SCREWDRIVER ADJUSTABLE.
- OUTPUT CONTACTS : ONE SET N.C.; ONE SET N.O.
- CONTACT RATING : 5 AMP. RESISTIVE AT 120VAC OR 28VDC IN
- BURDEN : CURRENT CIRCUIT : 2.5VA AT 30AMP
CURRENT VOLTAGE : 1.0VA
- CONSTRUCTION : SOLID STATE SENSOR WITH RELAY OUTPUT ENCLOSED IN A SEALED STEEL CAN.

NOTES

- REMOVE SCREW FOR ACCESS TO PICK-UP ADJUST.
- CLOCKWISE ROTATION OF THE ADJUSTING POTENTIOMETER WILL RAISE THE CURRENT TRIP POINT.
- THE CONTACTS ARE SHOWN IN THE DE-ENERGIZED POSITION.
- RELAYS MANUFACTURED FOR ELECTRO-MOTIVE DIVISION ARE FACTORY SET AS FOLLOWS:
EMD PART NO. 9097134 : 11.5 AMP
EMD PART NO. 10571447 : 7.0 AMP
- RELAYS FOR ELECTRO-MOTIVE DIV. TO BE STAMPED EMD # 9097134 OR EMD # 10571447 IN LOCATION SHOWN. SERIAL NO. AND DATE ALSO TO APPEAR ON FACE OF RELAY.
- CONTACT RESISTANCE IS FACTORY TESTED NOT TO EXCEED 100mΩ AT 28VDC AND 100mA.



CD CUSTOMER DRAWING

DRAWING PER ASME/ANSI Y14.5
THIRD ANGLE PROJECTION

ALL DIMENSIONS ARE IN INCHES
UNLESS OTHERWISE SPECIFIED.
Block Tolerances are not applied
if values are set to zero.

FRACTIONS DECIMALS ANGLES
±1/64 .XX = ±.01 ± 1°
.XXX = ±.005

±1.0 .005 .005

CAGE CODE 18741 EDITED BY RM EFTV DATE 07-02-14

550 Linden Ave.
Carpinteria, CA US 93013
Internet: www.te.com

TITLE RELAY, CURRENT SENSITIVE

ECD No. REDRAW REV. A KILOVAC. NO. SD 1100-21X

SCALE 1:1 DO NOT SCALE DRAWING SHEET 1 of 1 SIZE B

APPROVED BY TN APRV DATE 07-02-14

REV DCO/ECC