

4

3

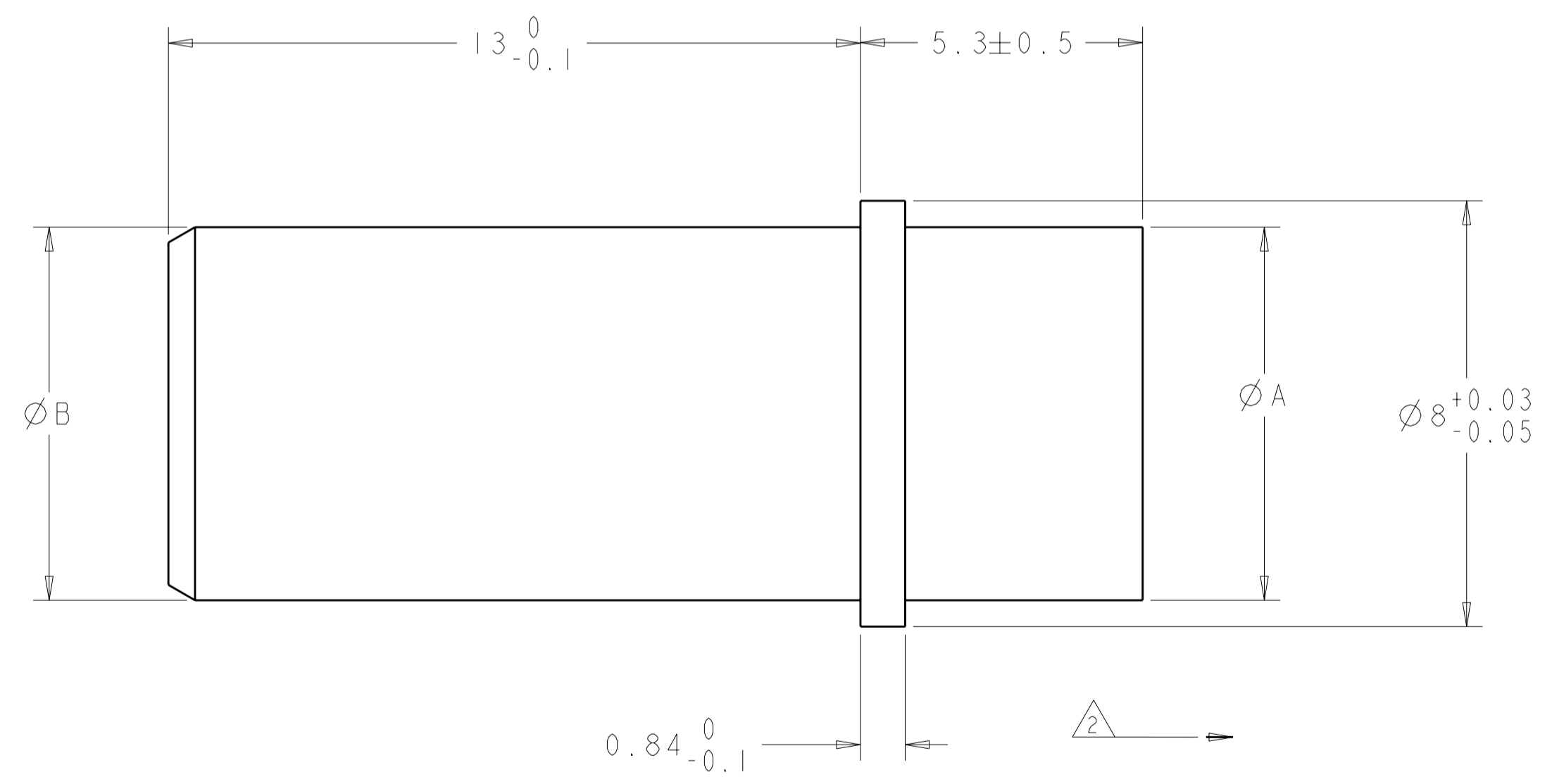
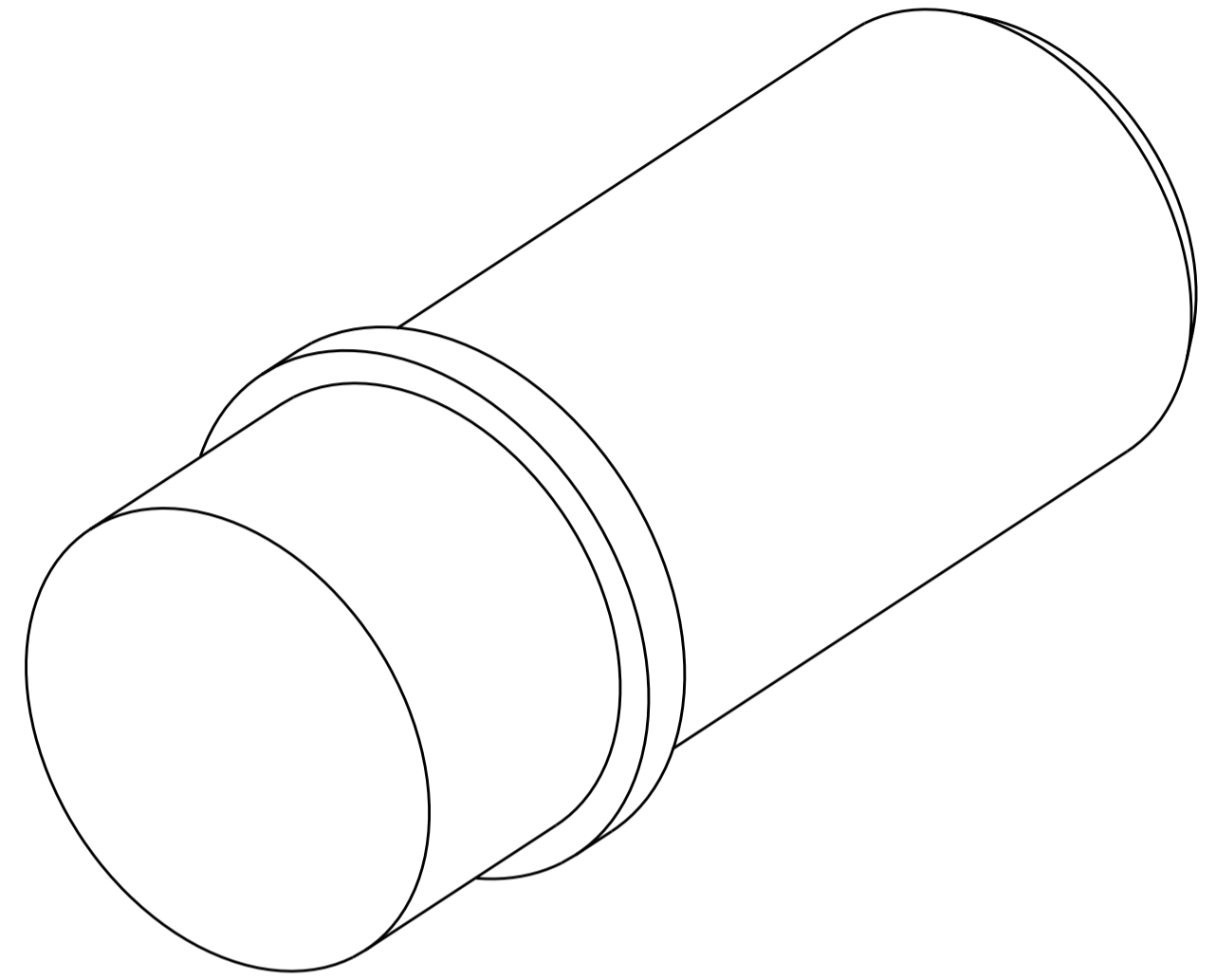
2

1

THIS DRAWING IS UNPUBLISHED. RELEASED FOR PUBLICATION
 © COPYRIGHT BY TYCO ELECTRONICS CORPORATION. ALL RIGHTS RESERVED.

LOC		DIST		REVISIONS			
P	LTR	DESCRIPTION	DATE	DWN	APVD		
	D	REV PER ECO 10-003037	2-11-10	CT	KH		

① MAT'L: ULTEM 1000.
 ② FILLER PLUG IS FOR REAR RELEASE/REMOVE QUADRAX CAVITIES. INSTALLATION DIRECTION AS SHOWN.



6.93-7.01	4.90-5.00	1996636-2
6.93-7.01	6.93-7.01	1996636-1
DIM B	DIM A	PART NUMBER

THIS DRAWING IS A CONTROLLED DOCUMENT FOR TYCO ELECTRONICS CORPORATION. IT IS SUBJECT TO CHANGE AND THE CONTROLLING ENGINEERING ORGANIZATION SHOULD BE CONTACTED FOR THE LATEST REVISION.		DWN M.HERSHEY 15MAY2008	Tyco Electronics Harrisburg, PA 17105-3608	
DIMENSIONS: mm		CHK K.THACKSTON 5-15-08	NAME FILLER PLUG, RR/RR, SIZE 8, ARINC 600	
TOLERANCES UNLESS OTHERWISE SPECIFIED: 0 PLC ± 1 PLC ± 2 PLC ± 3 PLC ± 4 PLC ± ANGLES ± FINISH		APVD C.THOMAS 5-15-08	RESTRICTED TO	
MATERIAL ① -		PRODUCT SPEC -	SIZE A200779	DRAWING NO C-1996636
		APPLICATION SPEC -	SCALE 10:1	SHEET 1 OF 1
		WEIGHT -	REV D	
		CUSTOMER DRAWING		