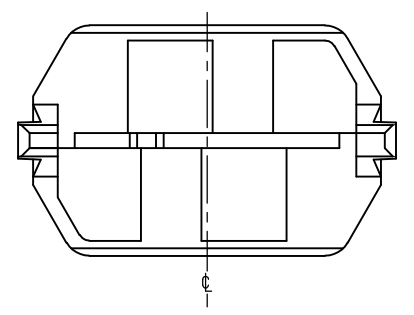
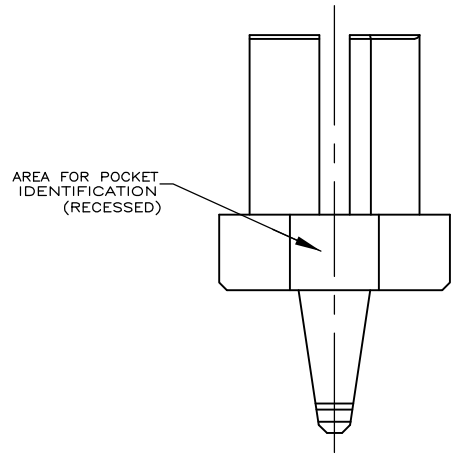
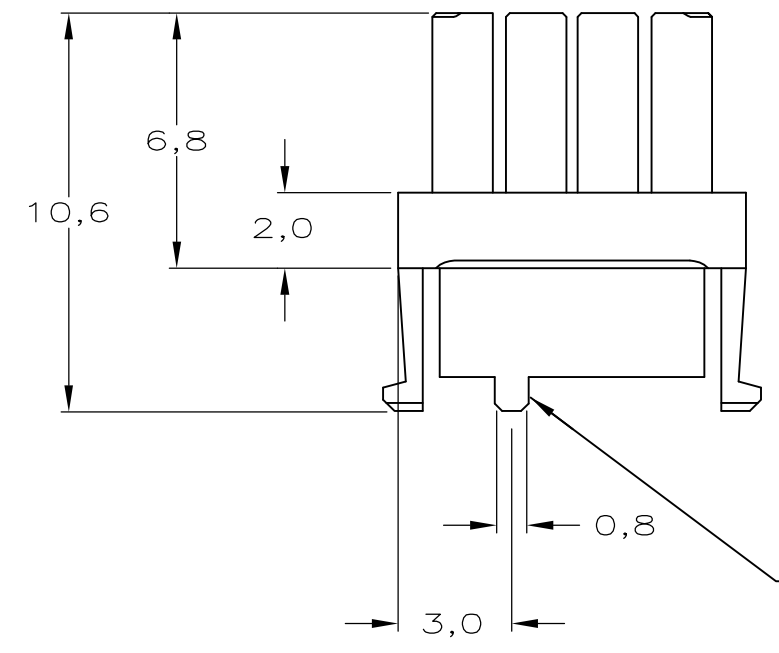
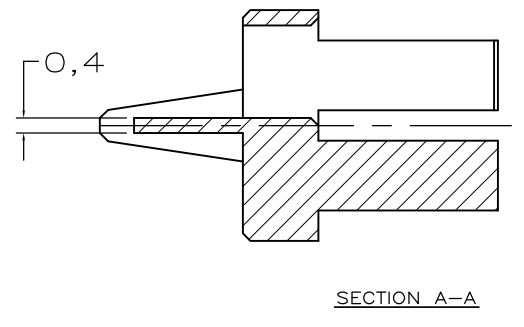
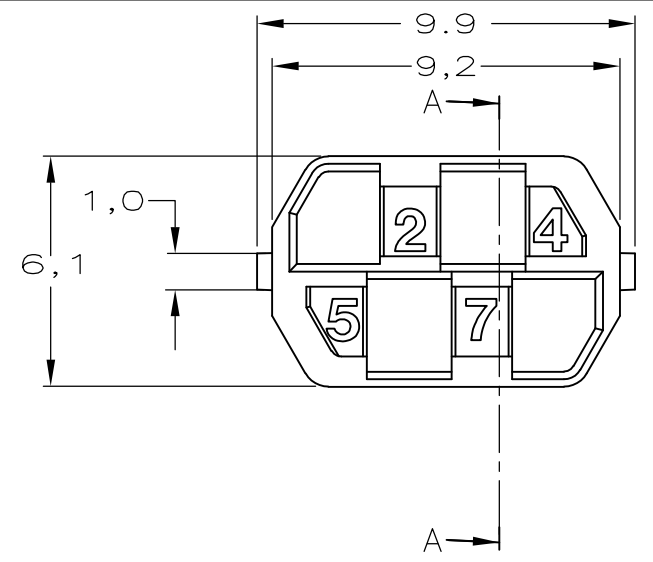




THIS DRAWING IS UNPUBLISHED. RELEASED FOR PUBLICATION  
 © COPYRIGHT - By - ALL RIGHTS RESERVED.

LOC	DIST	REVISIONS					
		P	LTR	DESCRIPTION	DATE	DWN	APVD
-	-	-	-	SEE SHEET1	-	-	-



MALE KEY	COLOUR	RAL NR.	ID. NUMBER	PARTNUMBER
-	-	-	-	-
-	-	-	-	-
-	-	-	-	-
-	-	-	-	-
-	-	-	-	-
-	-	-	-	-
-	-	-	-	-
-	-	-	-	-
-	-	-	-	-
-	-	-	-	-
6-100525-9	OCHER YELLOW	1024	1235	6-100526-9
6-100525-4	RASPBERRY RED	3027	1246	6-100526-4
5-100525-3	OCEAN BLUE	5020	1347	5-100526-3
5-100525-2	EMERALD GREEN	6001	1348	5-100526-2
4-100525-9	YELLOW ORANGE	2000	1358	4-100526-9
4-100525-8	HEATHER VIOLET	4003	1367	4-100526-8
4-100525-4	COPPER BROWN	8004	1457	4-100526-4
4-100525-3	STONE GREY	7030	1458	4-100526-3
3-100525-7	PURPLE RED	3004	1578	3-100526-7
3-100525-5	SALMON PINK	3022	2345	3-100526-5
3-100525-4	RED LILAC	4001	2346	3-100526-4
2-100525-7	LIGHT IVORY	1015	2368	2-100526-7
2-100525-6	PASTEL GREEN	6019	2378	2-100526-6
2-100525-4	YELLOW GREEN	6018	2457	2-100526-4
2-100525-0	BLUE LILAC	4005	2478	2-100526-0
1-100525-8	PIGEON BLUE	5014	2568	1-100526-8
1-100525-4	OLIVE YELLOW	1020	3457	1-100526-4
1-100525-3	CEMENT GREY	7033	3458	1-100526-3
1-100525-2	LIGHT GREEN	6027	3467	1-100526-2
100525-8	PURE ORANGE	2004	3568	100526-8
100525-5	ULTRAMARINE BLUE	5002	4567	100526-5
100525-2	GREEN BROWN	8000	4678	100526-2

THIS DRAWING IS A CONTROLLED DOCUMENT.

DIMENSIONS: mm	TOLERANCES UNLESS OTHERWISE SPECIFIED:	DWN D. TRUREN 03-FEB-98	TE Connectivity
	0 PLC ± - 1 PLC ± - 2 PLC ± - 3 PLC ± - 4 PLC ± - ANGLES ± -	CHK D. TRUREN 03-FEB-98 APVD F.v.KONINGSBRUGGE PRODUCT SPEC APPLICATION SPEC WEIGHT -	
MATERIAL -	FINISH -	CUSTOMER DRAWING	SIZE A3 CAGE CODE 00779 DRAWING NO C-100526 RESTRICTED TO -
		SCALE -	SHEET 2 OF 2 REV D1