

FIGURE 1  
SENSOR WILL BE LOCATED ANYWHERE WITHIN  $\varnothing .050$

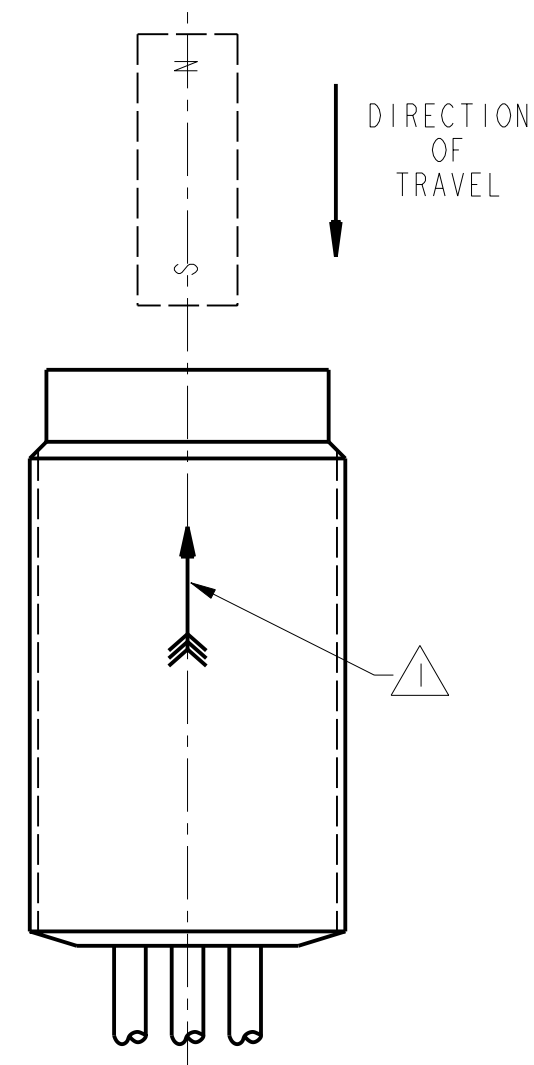
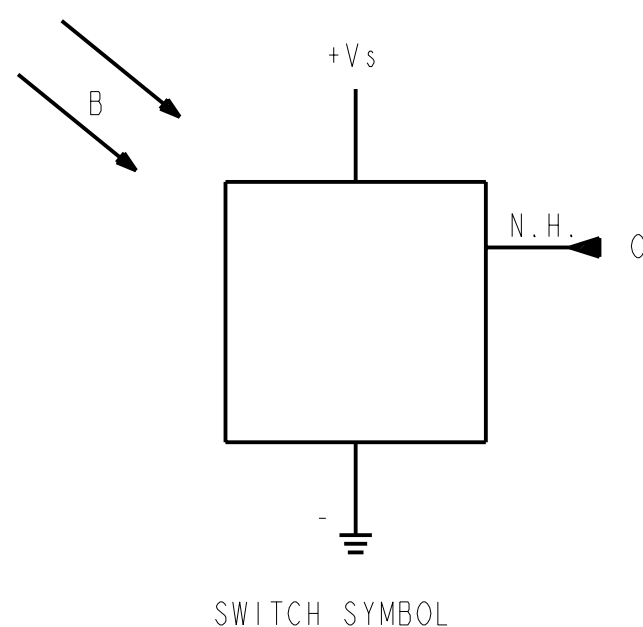


FIGURE 2  
OPERATE



SWITCH SYMBOL

4.5 TO 24 VDC UNIPOLAR DEVICE

MAGNETIC CHARACTERISTICS △1 △5

TEMPERATURE RANGE	-40°C TO 85°C
OPERATE MAX	190
RELEASE MIN	60
DIFFERENTIAL MIN	10

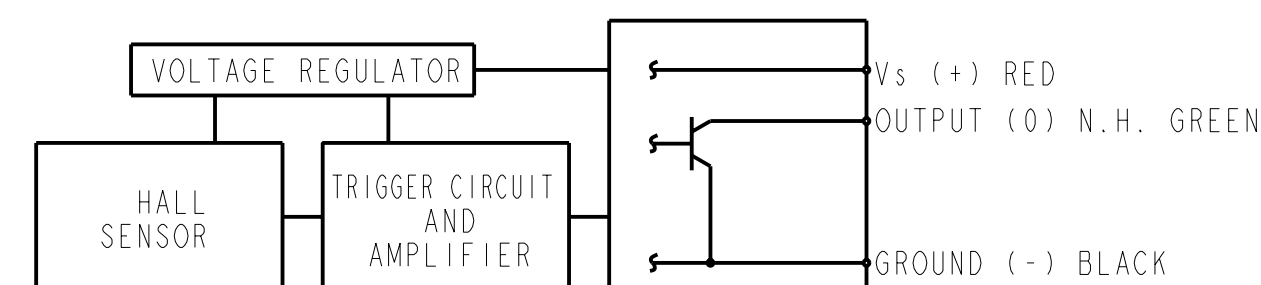
ABSOLUTE MAXIMUM RATING △9

SUPPLY VOLTAGE (Vs) / 7	-28.0 TO +28 VDC
VOLTAGE EXTERNALLY APPLIED TO OUTPUT	+28.0 VDC MAX WITH SWITCH IN "OFF" CONDITION ONLY -0.5 VOLTS MIN WITH SWITCH IN "OFF" OR "ON" CONDITION
OUTPUT CURRENT	20mA
TEMPERATURE	-40°C TO 85°C
MAGNETIC FLUX	NO LIMIT, THE CIRCUIT CANNOT BE DAMAGED BY MAGNETIC OVERDRIVE

ELECTRICAL CHARACTERISTICS

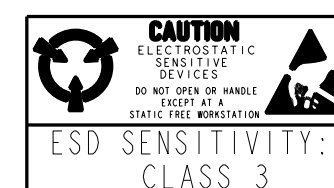
	MIN	TYP	MAX	
SUPPLY CURRENT / 4		14mA	19.0mA	"OFF" CONDITION / 4 Vs = 4.5 - 24V
OUTPUT VOLTAGE / 5 (OPERATED)		0.2V	0.4V	SINKING 10mA MAX
OUTPUT LEAKAGE / 5 CURRENT (RELEASED)		1 $\mu$ A	10 $\mu$ A	LEAKAGE INTO SWITCH OUTPUT
OUTPUT SWITCHING / 5 TIME (SINKING)				
RISE TIME		0.2 $\mu$ S	1.5 $\mu$ S	10% TO 90%
FALL TIME		0.5 $\mu$ S	1.0 $\mu$ S	90% TO 10%

BLOCK DIAGRAM CURRENT SINKING OUTPUT



NOTES

- △1 FLUX ENTERING THE SOUTH POLE OF THE MAGNET WILL OPERATE THE SENSOR WHEN THE MAGNET IS POSITIONED AS SHOWN IN FIGURE 2. THIS ASSUMES THE CONVENTION THAT THE DIRECTION OF THE EXTERNAL FLUX OF A MAGNET IS FROM THE NORTH TO THE SOUTH POLE OF THE MAGNET. (FIGURE 2)
- △2 LEADWIRES (INDIVIDUAL WIRES) ARE 24 GAGE STRANDED WITH XLPE INSULATION
- △3 DATE CODE LOCATED IN THIS AREA
- △4 AT 24 ° TO 2 ° C
- △5 AT SUPPLY VOLTAGE OF 4.5 TO 24 VOLTS AND FULL TEMPERATURE RANGE CATALOG LISTING LOCATED IN THIS AREA
- △6 Vs IS THE UNREGULATED SUPPLY VOLTAGE
- △7 TORQUE ON PLASTIC NUTS MUST NOT EXCEED 12 INCH POUNDS
- △8 ABSOLUTE MAXIMUM RATINGS ARE THE EXTREME LIMITS THAT THE DEVICE WILL WITHSTAND WITHOUT DAMAGE TO THE DEVICE. HOWEVER, THE ELECTRICAL AND MAGNETIC CHARACTERISTICS ARE NOT GUARENTEED AS THE MAXIMUM LIMITS (ABOVE RECOMMENDED OPERATING CONDITIONS) ARE APPROACHED, NOR WILL THE DEVICE NECESSARILY OPERATE AT ABSOLUTE MAXIMUM RATING
- △9



THIS DRAWING COVERS A PROPRIETARY ITEM AND IS THE PROPERTY OF MICRO SWITCH, A DIVISION OF HONEYWELL. THIS DRAWING IS NOT TO BE COPIED OR USED WITHOUT THE APPROVAL OF MICRO SWITCH.

**MICRO SWITCH**  
a Honeywell Division

**MAGNETICALLY  
OPERATED CYLINDRICAL  
HALL SWITCH**

CATALOG LISTING  
**SR3C-A1**

THIRD ANGLE PROJECTION

SCALE 3:1

DO NOT SCALE PRINT

UNLESS OTHERWISE SPECIFIED TOLERANCES ARE

ONE PLACE	(.0)	±.030
TWO PLACES	(.00)	±.015
THREE PLACES	(.000)	±.005
ANGLES		±

WEIGHT

SR3C-A1  
 DRAWING NUMBER  
 ISSUE 4  
 P.T.C./CAD 20  
 DRAWN  
 JAS  
 27SEP90  
 CHECK  
 KAG  
 10CT90  
 CHECK  
 X90105-SR  
 REPLACES  
 PR-18705  
 RELEASE NO.