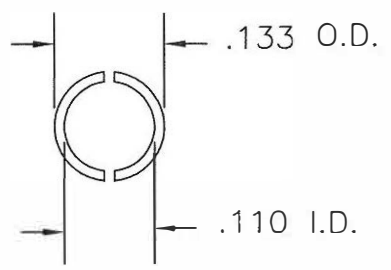
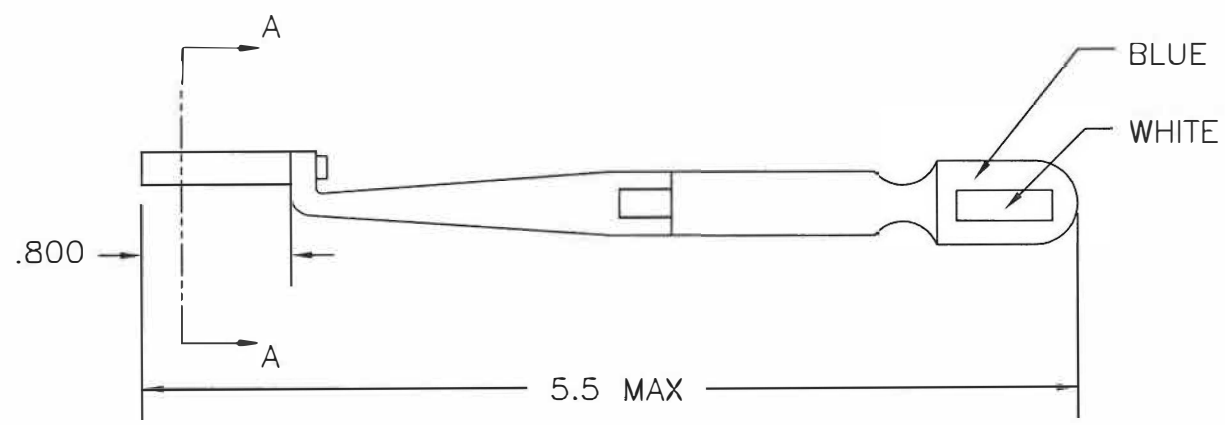


REVISIONS				
REV. SYM.	E.C.D. NUMBER	DESCRIPTION	BY DATE	APP'D DATE
1		ORIGINAL RELEASE	JWJ 8/21/01	DE 8/23/01



VIEW A-A



RESTRICTED & CONFIDENTIAL		ITEM	PART NO.	QTY.	DESCRIPTION/REMARKS
CONFIDENTIAL PROPERTY OF DANIELS MANUFACTURING CORP. NOT TO BE DISCLOSED TO OTHERS, REPRODUCED OR USED FOR ANY OTHER PURPOSE, EXCEPT AS AUTHORIZED IN WRITING BY DANIELS MANUFACTURING CORP. ON COMPLETION OF ORDER OR OTHER PURPOSE FOR WHICH LENT. DO NOT SCALE DRAWING		DRN.	J. JOYCE	DATE	8/21/01
		CHK'D.	RRR	DATE	8/21/01
		APP'D.		DATE	
		APP'D.		DATE	
		NOTE:	THIS DRAWING IS AN OUTLINE DRAWING OF THE RESPECTIVE DMC PART NUMBER INDICATED. ACTUAL DMC PART NUMBER IS DRAWING NUMBER WITHOUT THE "-ENV" SUFFIX.		
				DANIELS MANUFACTURING CORP. ORLANDO, FLORIDA CAGE 11851	
		TITLE		#16 REMOVAL TOOL ENVELOPE DRAWING	
		WHERE USED:			
SIZE	SCALE	CAD P/N	DRK264-16-ENV	SHEET	OF 1
B	NTS			1	1
POSTING	DWG. NO.	DRK264-16-ENV		REV.	1