

PART NAME

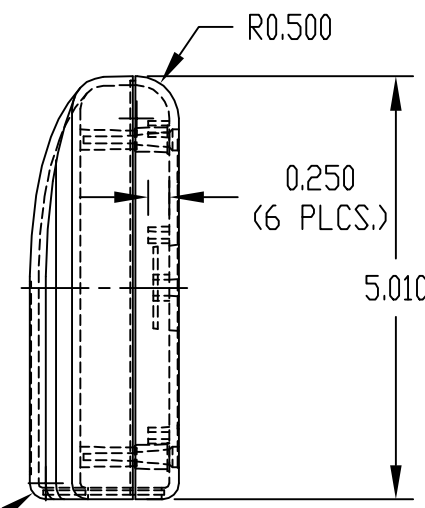
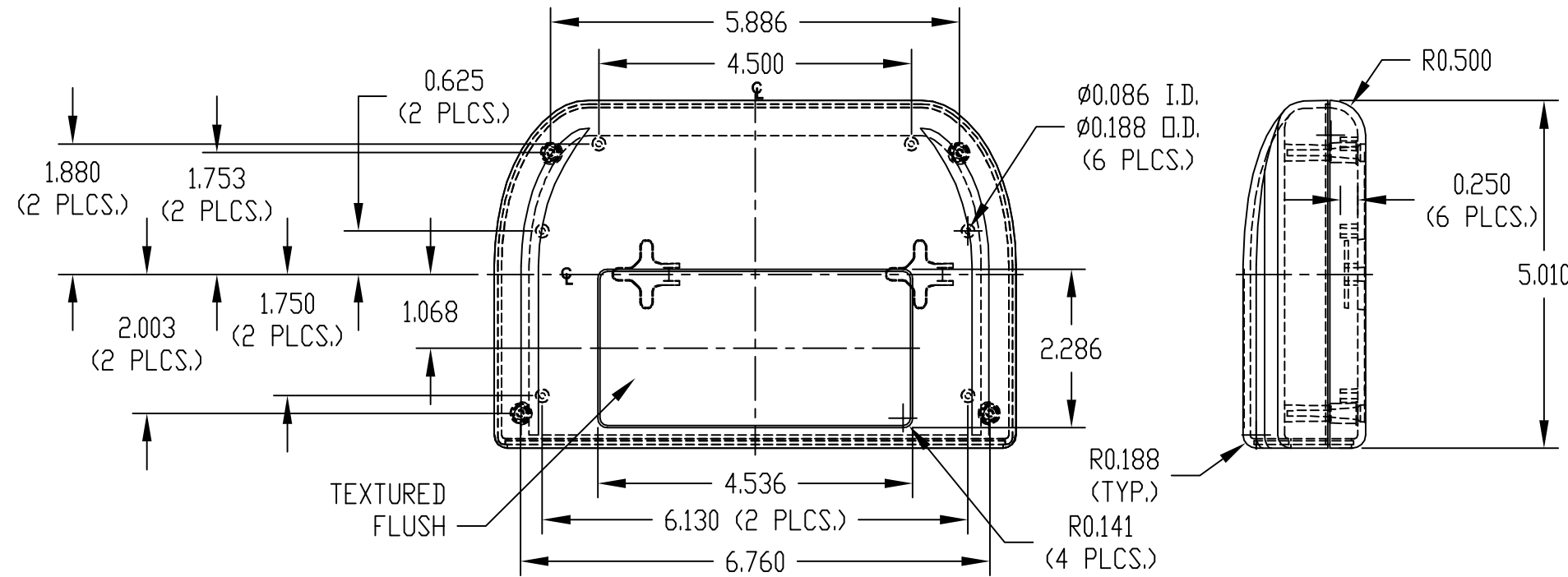
PLASTIBOX (STYLE I)

PART No.

PT-11785-MP

REV. DATE

10-4-11



- NOTES:
- 1) PC BOARD BOSSES WILL ACCEPT A #4 X 1/4" THREAD FORMING SCREW
  - 2) MATERIAL: ABS - UL94-5VA
  - 3) FINISH: BLACK TEXTURE
  - 4) DIMENSIONS ARE TO THEORETICAL SHARP CORNERS.
  - 5) INCLUDES (4) #4-24 x 1.0 HI-LOW THREAD FORMING, CSK, OVAL HEAD, PHILLIPS DRIVE SCREWS FOR ATTACHING BODY TO COVER (MAX TORQUE 4.5 IN-LBS)

