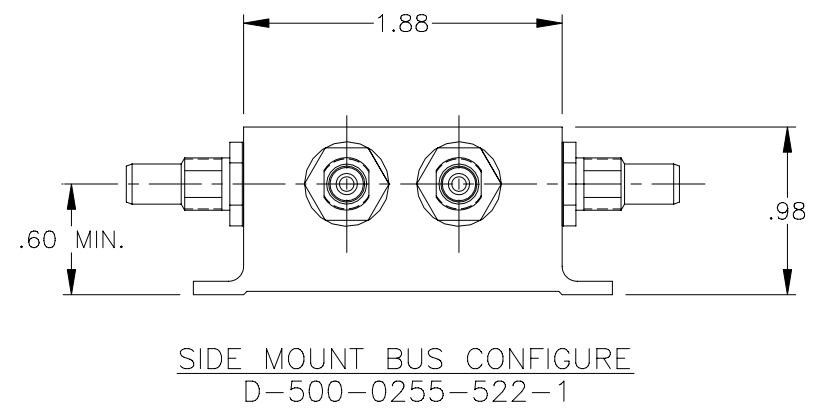
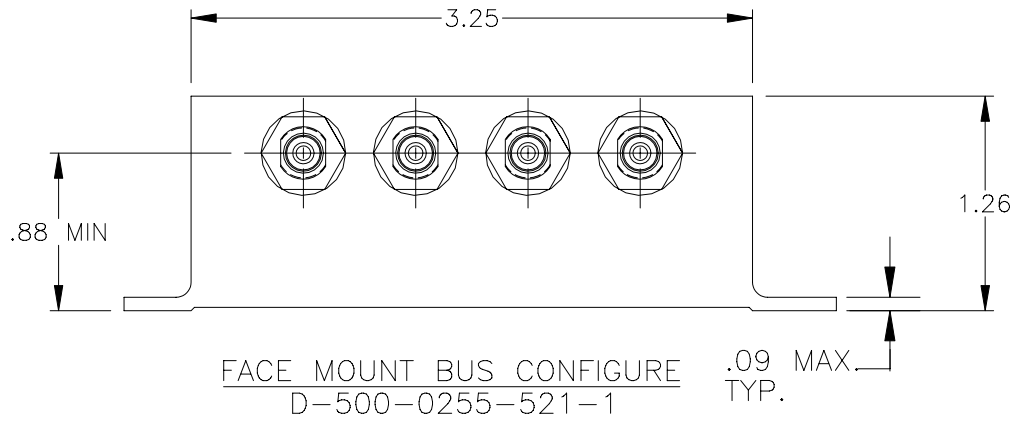
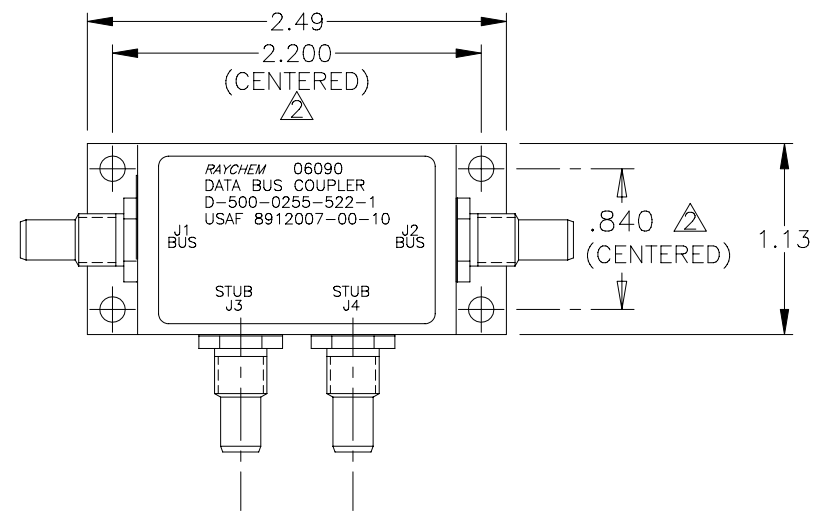
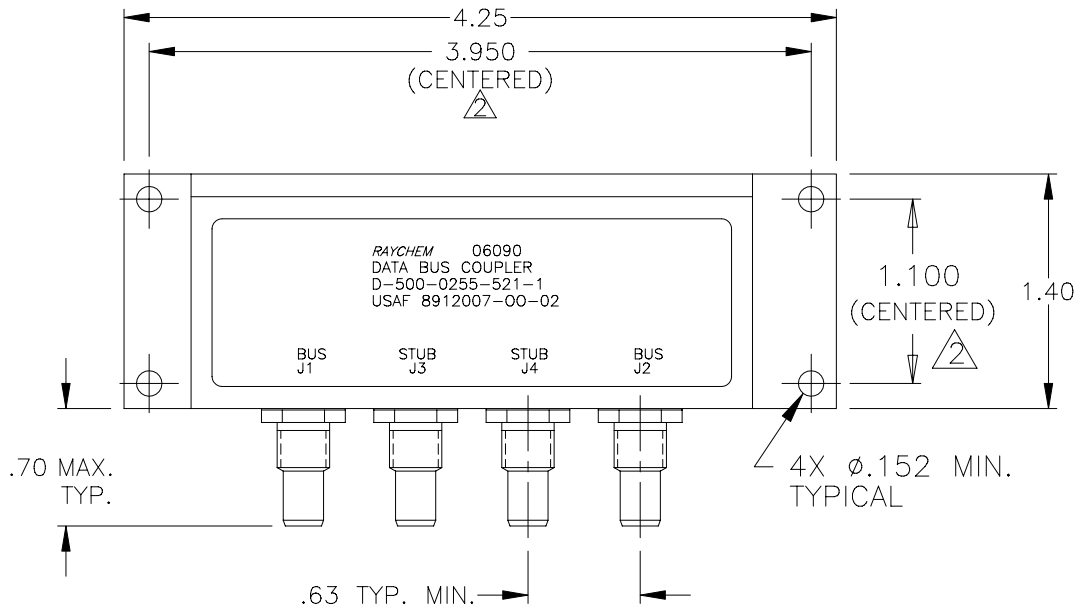


REVISIONS		DATE	APPROVED
LTR	DESCRIPTION		
C	REVISED PER ECN# T-20119	92 JAN 8	Z. TEMAN
D	REVISED PER ECN# T-20326		



$\triangle 3$ WEIGHT: D-500-0255-521-1 150 grams MAX.
 D-500-0255-522-1 88 grams MAX.
 $\triangle 2$ HOLE PATTERN MACHINED SYMMETRIC TO MOUNTING FLANGE.
 1. ORIENTATION OF CONNECTORS IS APPROXIMATELY AS SHOWN.
 NOTES:

If this document is printed it becomes uncontrolled.
 Check for the latest revision.

SPECIFICATION CONTROL DRAWING

UNLESS OTHERWISE SPECIFIED DIMENSIONS ARE IN INCHES. METRIC DIMENSIONS ARE IN BRACKETS. DECIMALS .XXX ± .010 [— mm] .XX ± .03 [— mm] ANGLES .X ± — WEIGHT $\triangle 3$	DRAWN	J.B.K.	91 NOV 4		Tyco Electronics Corporation 300 Constitution Drive Menlo Park, CA. 94025 U.S.A.					
	CHECKED									
	APPROVED				TITLE 2 STUB DATA BUS BOX COUPLER WITH THREADED TRIAXIAL CONNECTORS					
	APPROVED	Z.TEMAN	92 JAN 8		SIZE	CODE IDENT. NO.	DWG. NO.	REV		
CAD NAME				009050-1			A	06090	D-500-0255-521/522-1	D
THIRD ANGLE PROJECTION							DO NOT SCALE THIS DRAWING		SHEET 1 OF 2	

1.0 INTERMATEABILITY

BUS JACKS J1 AND J2	MATING PLUG
DK-621-0412-P (8340711-00-01)	DK-621-0411-S (8340709-00-02)

STUB JACKS J3 AND J4	MATING PLUG
DK-621-0412-S (8340711-00-02)	DK-621-0411-P (8340709-00-01)

2.0 PERFORMANCE

- 2.1 THIS COUPLER IS DESIGNED TO MEET THE APPLICABLE FUNCTIONAL REQUIREMENT OF RAYCHEM SPECIFICATION D-6021 AND USAF 8912007.
- 2.2 THE COUPLER SHALL OPERATE UNDER ANY OF THE ENVIRONMENTAL SERVICE CONDITIONS AS SPECIFIED IN MIL-E-5400, CLASS Ⅴ UPGRADED TO 125°C CONTINUOUS OPERATION.
- 2.3 ALTITUDE: SEA LEVEL TO 75,000 FEET

SCHEMATIC DIAGRAM