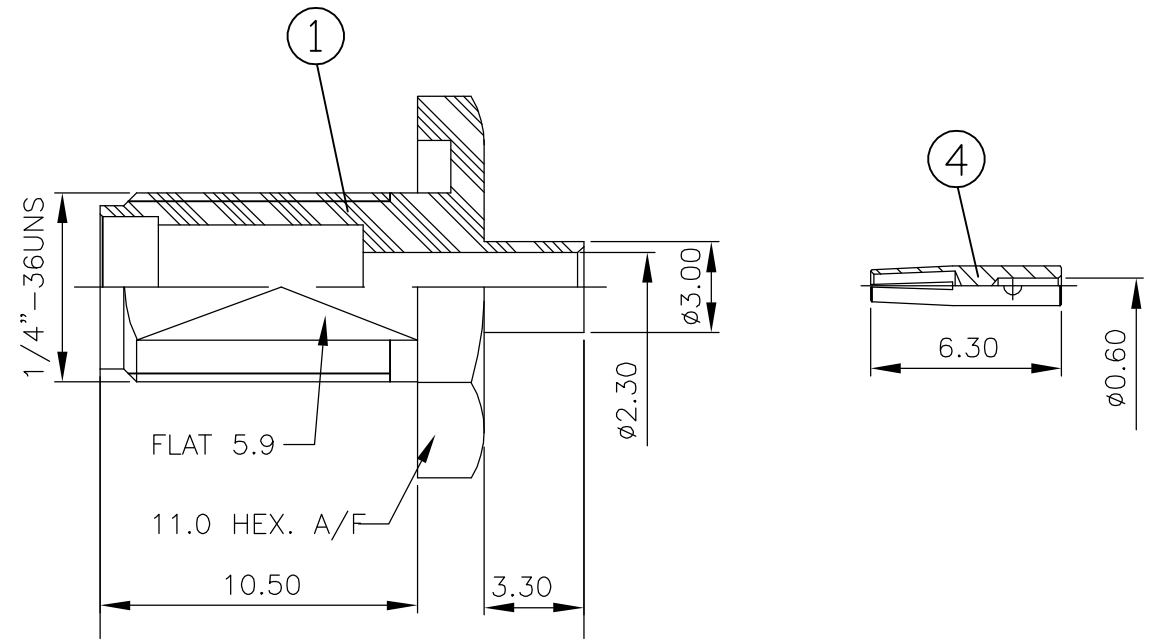
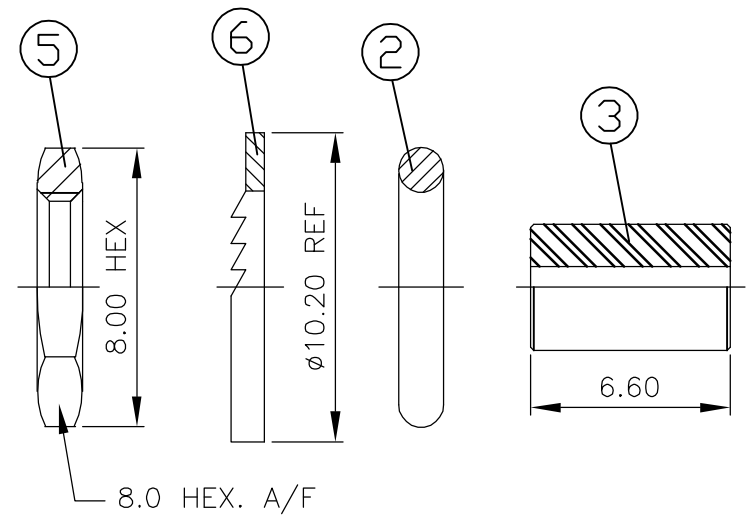


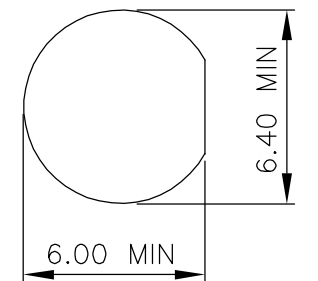
THIS DRAWING IS UNPUBLISHED. RELEASED FOR PUBLICATION JAN ,2004.
 © COPYRIGHT 2004 BY TYCO ELECTRONICS CORPORATION. ALL RIGHTS RESERVED.

LOC	DIST	REVISIONS					
		P	LTR	DESCRIPTION	DATE	DWN	APVD
E	B		B	EBD0-0189-04	22APR04	JMS	FWK
			A	EBD0-0035-03	28JAN04	RS	FWK

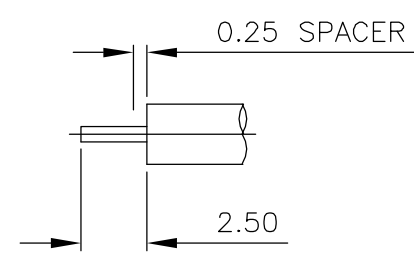
- NOTES:
- 1 SINGLE PACK IN ACCORDANCE WITH SPEC 107-3275
 - 2 100 TRAY PACK IN ACCORDANCE WITH SPEC 107-3275
 - 3 0.08µm Au PLATING OVER 1.27µm Ni PLATING
 - 4 0.08µm Au PLATING OVER 1.27µm Ni PLATING OVER 0.76µm Cu PLATING
 - 5 0.76µm Au PLATING OVER 1.27µm Ni PLATING OVER 0.76µm Cu PLATING
 - 6 FOR TECHNICAL DATA REFER TO YOUR LOCAL TYCO ELECTRONICS SALES OFFICE
 - 7 ALL DIMENSIONS ARE NOMINAL FOR REFERENCE ONLY UNLESS OTHERWISE STATED



RECOMMENDED MOUNTING HOLE DIM'S



RECOMMENDED CABLE STRIPPING DIM'S



QTY	QTY	QTY	QTY	MATERIAL	DESCRIPTION	ITEM
1	1	-	-	BRASS	WASHER	6
-	-	1	1	STAINLESS STEEL	WASHER	6
1	1	-	-	BRASS	HEX NUT	5
-	-	1	1	STAINLESS STEEL	HEX NUT	5
1	1	1	1	BERYLLIUM COPPER	SOCKET	4
1	1	1	1	PTFE	INSULATOR	3
1	1	1	1	SILICON	GASKET	2
1	1	-	-	BRASS	BODY	1
-	-	1	1	STAINLESS STEEL	BODY	1
3--1	3--0	1--1	1--0	MATERIAL	DESCRIPTION	ITEM
2	1	2	1			

THIS DRAWING IS A CONTROLLED DOCUMENT.		DWN J.SANDWELL 23JAN04	Tyco Electronics Corporation Bideford, UK, EX39 4HE			
DIMENSIONS: MM		CHK S.PARLOW 23JAN04				
TOLERANCES UNLESS OTHERWISE SPECIFIED:		APVD F.WHEELER-KING 23JAN04	NAME SMA BULKHEAD JACK DIRECT SOLDER NON CAPTIVE CONTACT O-RING SEAL RG405/U			
0 PLC ± - 1 PLC ± - 2 PLC ± - 3 PLC ± - 4 PLC ± - ANGLES ± -		PRODUCT SPEC 108-3460	SIZE A3	CAGE CODE 00779	DRAWING NO C-1478988	RESTRICTED TO -
MATERIAL SEE TABLE		FINISH SEE TABLE	WEIGHT -		CUSTOMER DRAWING	
		SCALE NTS		SHEET 1 OF 1		REV B