



Main

Range of product	Zelio Relay
Accessory / separate part category	Marking accessory
Accessory / separate part type	Sheet of 108 clip-in legends
Sale per indivisible quantity	10

Complementary

Product compatibility	Socket RXZ with connector
Accessory / separate part destination	All sockets RXZ with screw connector
Product weight	0 lb(US) (0.001 kg)

Environment

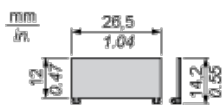
Offer Sustainability

WARNING: This product can expose you to chemicals including:	WARNING: This product can expose you to chemicals including:
Nickel compounds, which is known to the State of California to cause cancer, and	Nickel compounds, which is known to the State of California to cause cancer, and
Di-isodecyl phthalate (DIDP), which is known to the State of California to cause birth defects or other reproductive harm.	Di-isodecyl phthalate (DIDP), which is known to the State of California to cause birth defects or other reproductive harm.
For more information go to www.p65warnings.ca.gov	For more information go to www.p65warnings.ca.gov

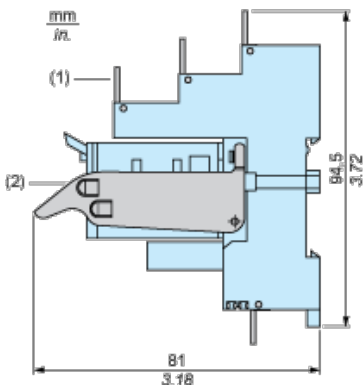
Contractual warranty

Warranty period	18 months
-----------------	-----------

Dimensions



Mounting on All Sockets (1)



The information provided in this documentation contains general descriptions and/or technical characteristics of the products contained herein. This documentation is not intended as a substitute for and is not to be used for determining suitability or reliability of these products for specific user applications. It is the duty of any such user or integrator to perform the appropriate and complete risk analysis, evaluation and testing of the products with respect to the relevant specific application or use thereof. Neither Schneider Electric Industries SAS nor any of its affiliates or subsidiaries shall be responsible or liable for misuse of the information contained herein.

- (1) Clip-in legends for all sockets except RXZE2M114
- (2) Plastic clamp