

GPS/Beidou/Glonass/Galileo/QZSS External Antenna



AEAGMK148060-S1575



ESD Sensitive



Ø148.0 x 60.0mm
RoHS/RoHS II Compliant

MSL = NOT APPLICABLE

FEATURES

- Gain of 4.5dBic
- Multiband
- RHCP polarization
- LNA gain of 38 dB
- Covers GPS (L1/L2/L5,L6), BEIDOU (B1/B2/B3), GLONASS (L1/L2), Galileo (L1/E5b/E5a), QZSS(L1/L2/L5/L6) bands

APPLICATIONS

- GPS
- Beidou
- GLONASS
- Galileo
- QZSS
- IoT
- Remote technology/monitoring
- M2M

ELECTRICAL SPECIFICATIONS

Parameters	Min.	Typ.	Max.	Units	Note
Frequency Range		1164-1300;1559-1615		MHz	GPS: L1/L2/L5/L6 BEIDOU: B1/B2/B3 GLONASS: L1/L2 Galileo: L1/E5b/E5a QZSS: L1/L2/L5/L6
VSWR		2.0			
Polarization		RHCP			Right Hand Circular Polarization
Impedance		50		Ω	
Gain		4.5		dBic	Zenith
Phase Center			2.0	mm	
Axial Ratio			2.0		Zenith
Operating Temperature	-40		+85	°C	

LOW NOISE AMPLIFIER (LNA)

Parameters	Min.	Typ.	Max.	Units	Note
DC Voltage		3.0 ~ 16.0		V	
DC current			30	mA	16mA @ 3.3V
Gain	36	38	40	dB	
Output VSWR		2.0		dB	
Out Band Rejection	40			dB	FH+100MHz FL-100MHz
Noise Figure			1.5	dB	



5101 Hidden Creek Ln Spicewood TX 78669
Phone: 512-371-6159 | Fax: 512-351-8858
For terms and conditions of sales, please visit:
www.abracon.com

REVISED: 08.12.2019

ABRACON IS
ISO9001-2015
CERTIFIED

GPS/Beidou/Glonass/Galileo/QZSS External Antenna



AEAGMK148060-S1575



ESD Sensitive



Ø148.0 x 60.0mm
RoHS/RoHS II Compliant

MSL = NOT APPLICABLE

OVERALL (Module + RF connector)

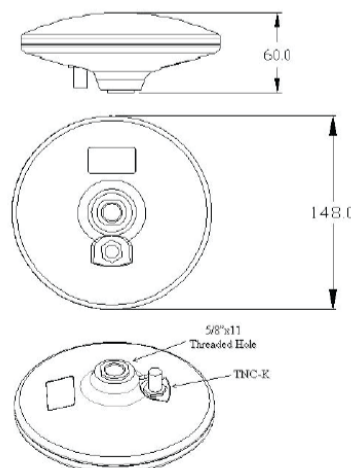
Parameters	Min.	Typ.	Max.	Units	Note
Output VSWR		2.0			
Gain		38		dB	
Impedance		50		Ω	

ENVIRONMENTAL CHARACTERISTICS:

Parameters	Description
Vibration	Sine sweep 1g(0-p) 10 to 55Hz 10Hz each axis
Storage Temperature	-55 °C to +85 °C
ROHS	ROHS Compliant
MSL Level	N/A
ESD Sensitive	This device is ESD sensitive
Handling	No special handling conditions
Ingress Protection	IP66

MECHANICAL DIMENSIONS

No.	Parameters	Description
1	Antenna	PTFE F4B-1/2
2	PCB	FR4
3	Shielding	Tinplate
4	RF Connector	TNC-K
5	Threaded Hole	Copper
6	Plastic Shell	ABS



Unit: mm



5101 Hidden Creek Ln Spicewood TX 78669
Phone: 512-371-6159 | Fax: 512-351-8858
For terms and conditions of sales, please visit:
www.abracon.com

REVISED: 08.12.2019

ABRACON IS
ISO9001-2015
CERTIFIED

GPS/Beidou/Glonass/Galileo/QZSS External Antenna



AEAGMK148060-S1575



ESD Sensitive

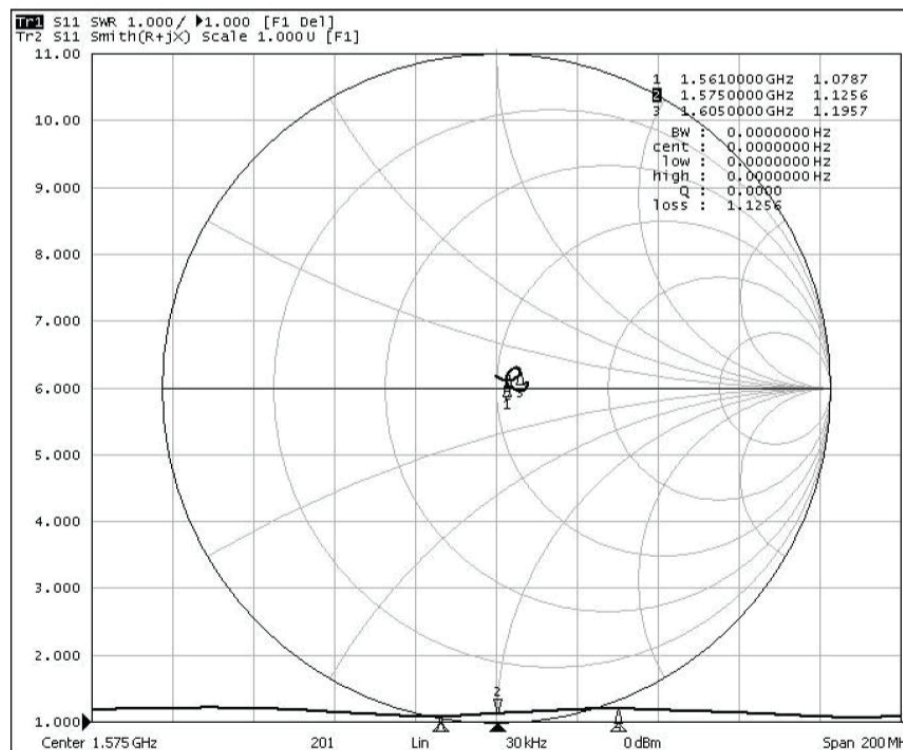
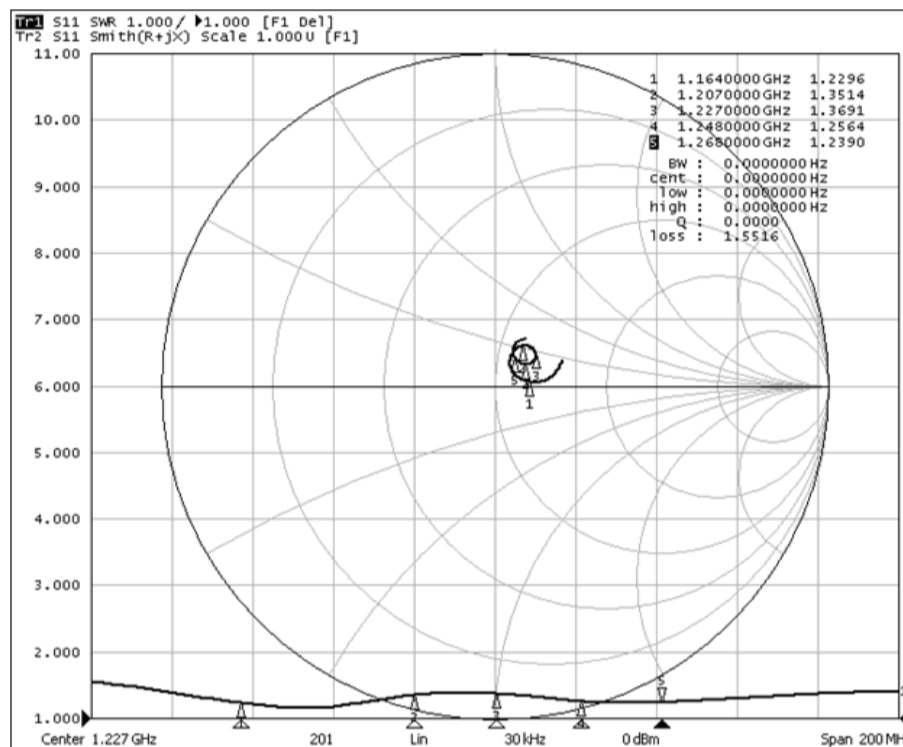


Ø148.0 x 60.0mm
RoHS/RoHS II Compliant

MSL = NOT APPLICABLE

RETURN - LOSS CHARACTERISTICS

S11 Return Loss



GPS/Beidou/Glonass/Galileo/QZSS External Antenna



AEAGMK148060-S1575



ESD Sensitive

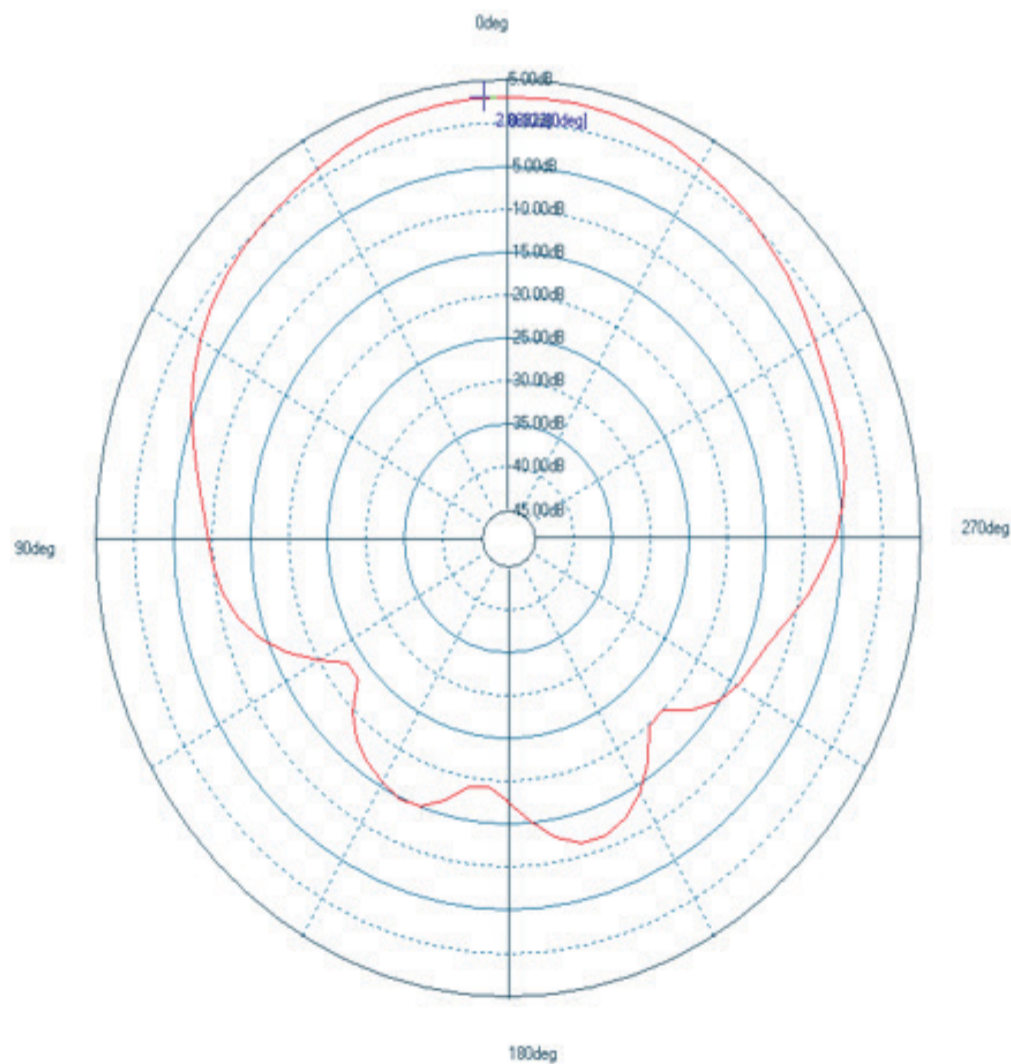


Ø148.0 x 60.0mm
RoHS/RoHS II Compliant
MSL = NOT APPLICABLE

RADIATION PATTERNS

Frequency, MHz	Gain, dBic	Axial Ratio
1176	2.3	1.0
1207	3.5	1.6
1227	3.5	1.8
1246	2.5	1.6
1268	1.5	1.0
1561	4.0	0.7
1575	4.5	0.8
1602	4.4	0.7

1176 MHz



GPS/Beidou/Glonass/Galileo/QZSS External Antenna



AEAGMK148060-S1575



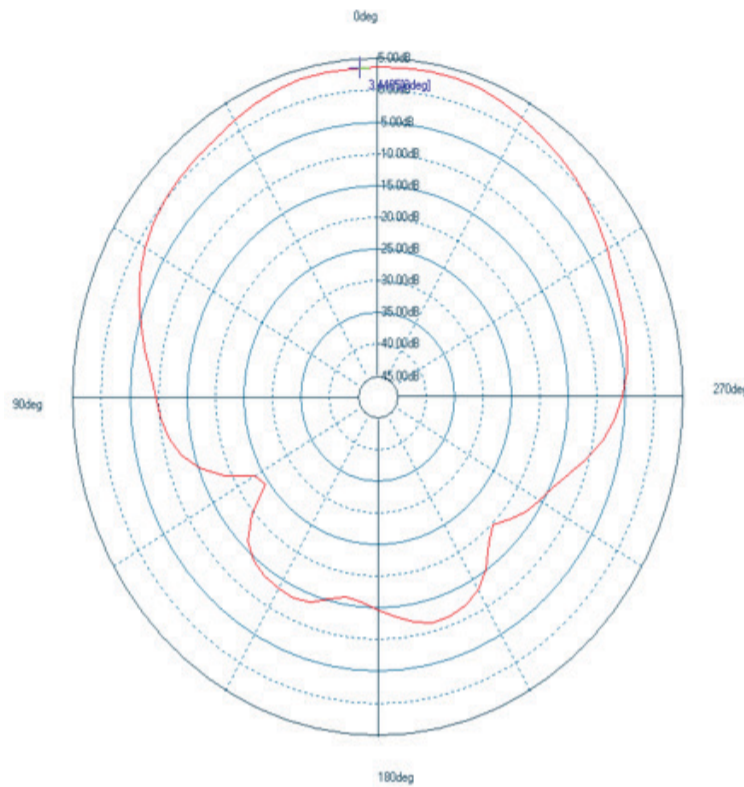
ESD Sensitive



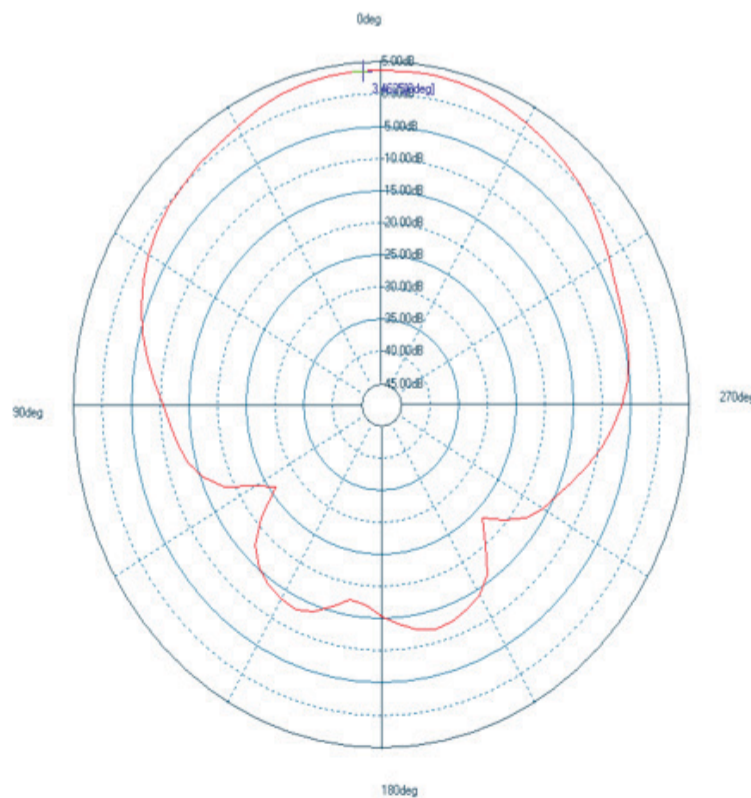
Ø148.0 x 60.0mm
RoHS/RoHS II Compliant
MSL = NOT APPLICABLE

RADIATION PATTERNS

1207 MHz



1227 MHz



GPS/Beidou/Glonass/Galileo/QZSS External Antenna



AEAGMK148060-S1575



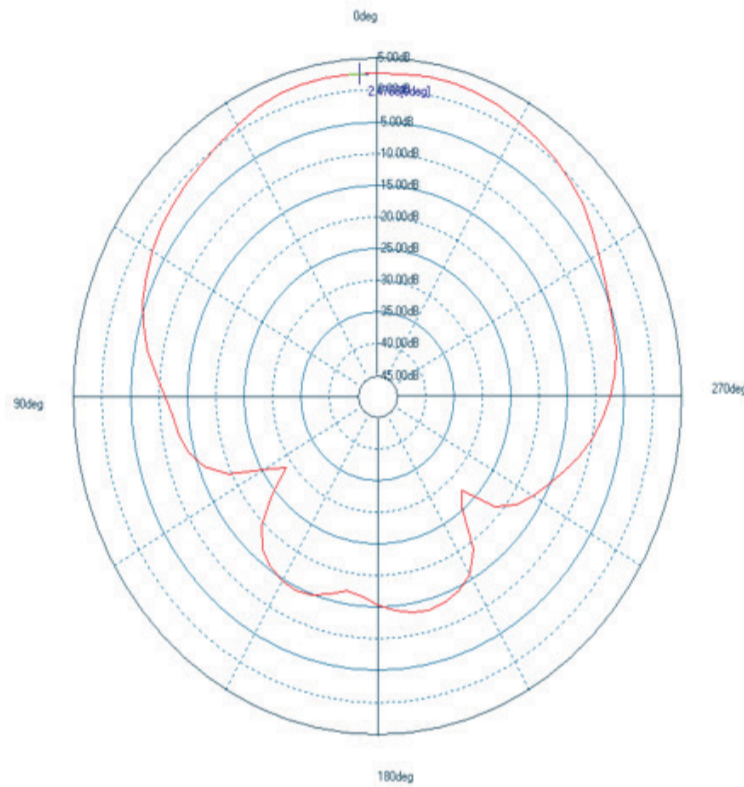
ESD Sensitive



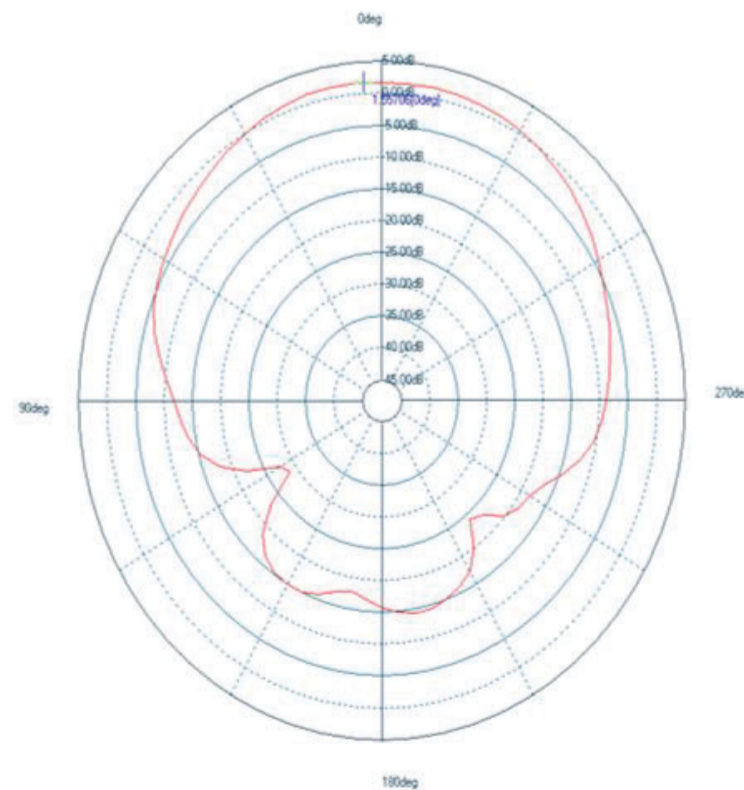
Ø148.0 x 60.0mm
RoHS/RoHS II Compliant
MSL = NOT APPLICABLE

RADIATION PATTERNS

1246 MHz



1268 MHz



5101 Hidden Creek Ln Spicewood TX 78669
Phone: 512-371-6159 | Fax: 512-351-8858
For terms and conditions of sales, please visit:
www.abracon.com

REVISED: 08.12.2019

ABRACON IS
ISO9001-2015
CERTIFIED

GPS/Beidou/Glonass/Galileo/QZSS External Antenna



AEAGMK148060-S1575



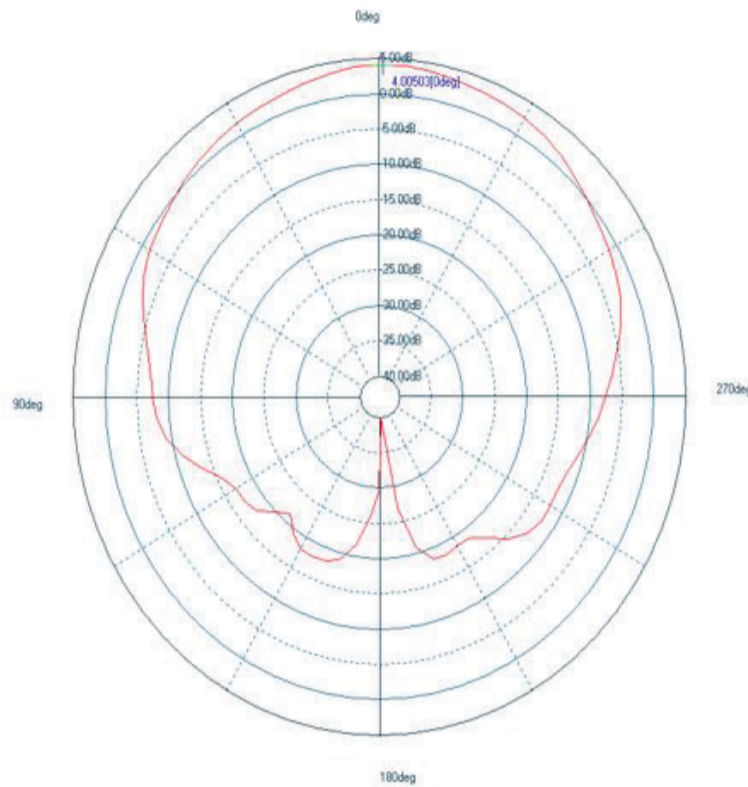
ESD Sensitive



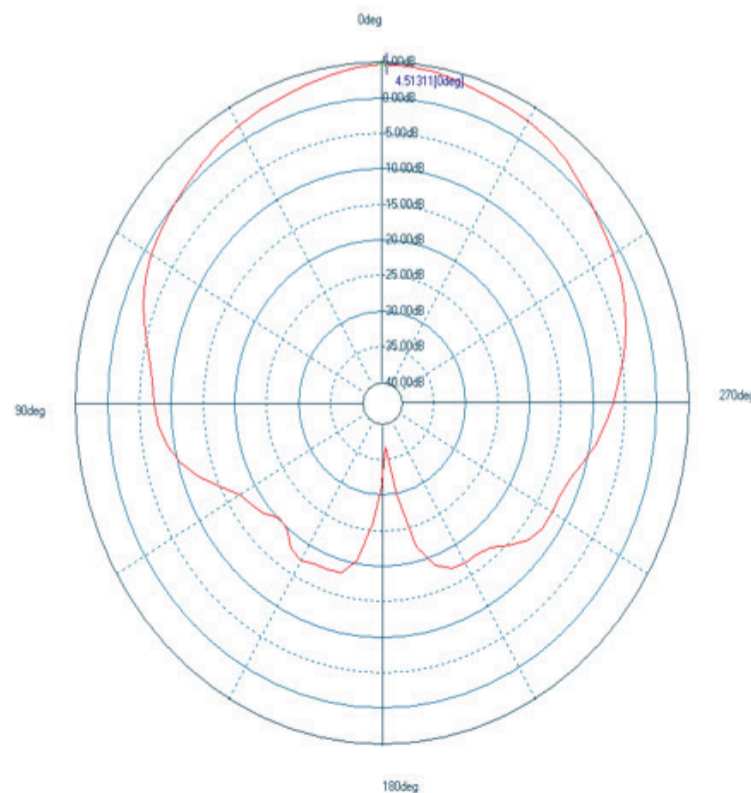
Ø148.0 x 60.0mm
RoHS/RoHS II Compliant
MSL = NOT APPLICABLE

RADIATION PATTERNS

1561 MHz



1575 MHz



GPS/Beidou/Glonass/Galileo/QZSS External Antenna



AEAGMK148060-S1575



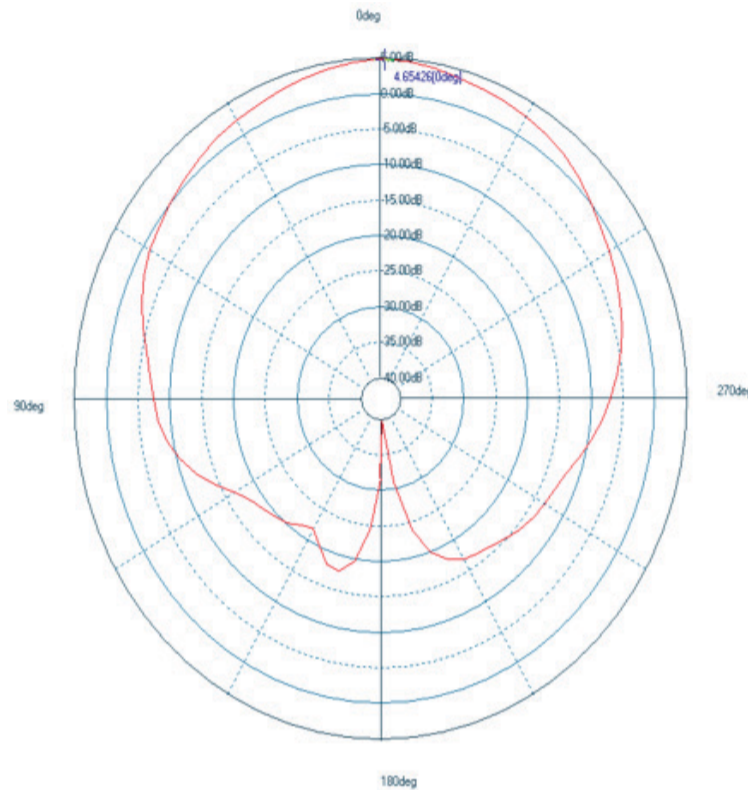
ESD Sensitive



Ø148.0 x 60.0mm
RoHS/RoHS II Compliant
MSL = NOT APPLICABLE

RADIATION PATTERNS

1602 MHz



GPS/Beidou/Glonass/Galileo/QZSS External Antenna



AEAGMK148060-S1575

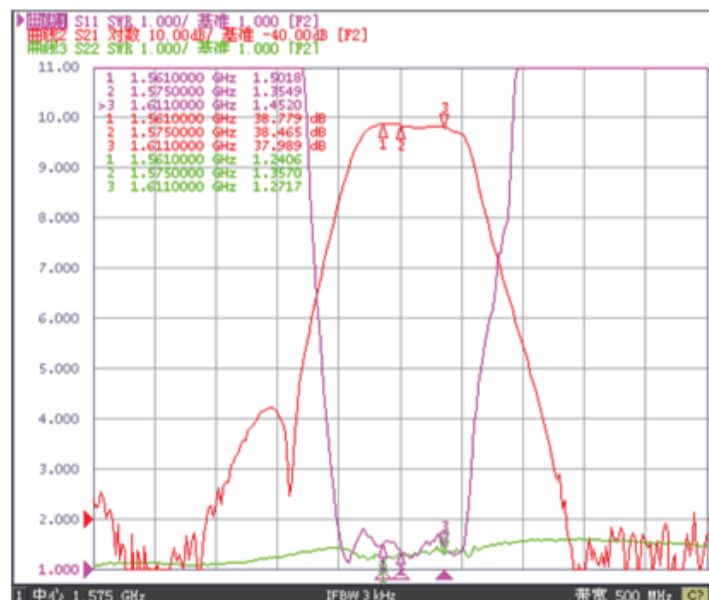
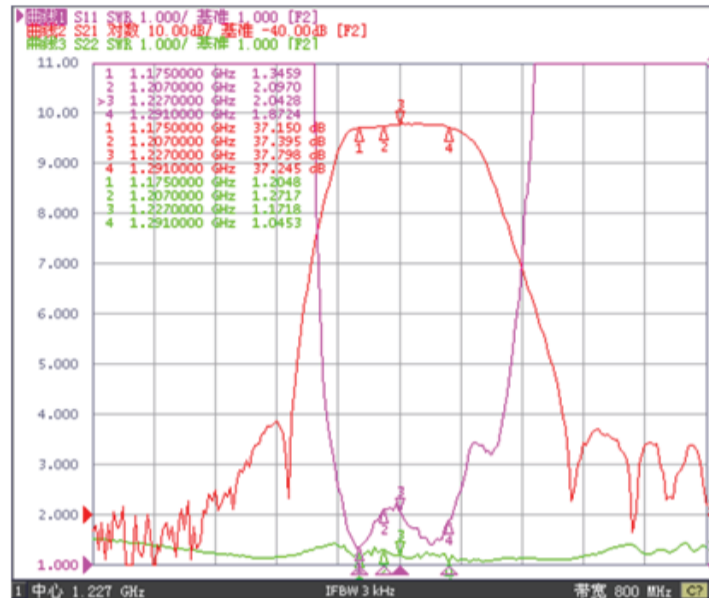


ESD Sensitive



Ø148.0 x 60.0mm
RoHS/RoHS II Compliant
MSL = NOT APPLICABLE

LNA TEST CURVE



Test Condition: 3.3V DC

PACKAGING:

Each 630 x 460 x 105 mm size carton includes 6 pcs antenna, each case 1 pcs antenna.



5101 Hidden Creek Ln Spicewood TX 78669
Phone: 512-371-6159 | Fax: 512-351-8858
For terms and conditions of sales, please visit:
www.abracon.com

REVISED: 08.12.2019

ABRACON IS
ISO9001-2015
CERTIFIED