

NOTES:

1.0 ELECTRICAL SPECIFICATIONS:

- 1.1 FREQUENCY RANGE: DC to 2500 MHz
- 1.2 OPERATING RF INPUT POWER LEVEL: 1 WATT MAX.
- 1.3 MAIN RF PATH ATTENUATION: 0.5 ±0.15dB
- 1.4 SAMPLED PORT COUPLING: 26 ±1.2dB
- 1.5 VSWR: 1.20:1 MAX.

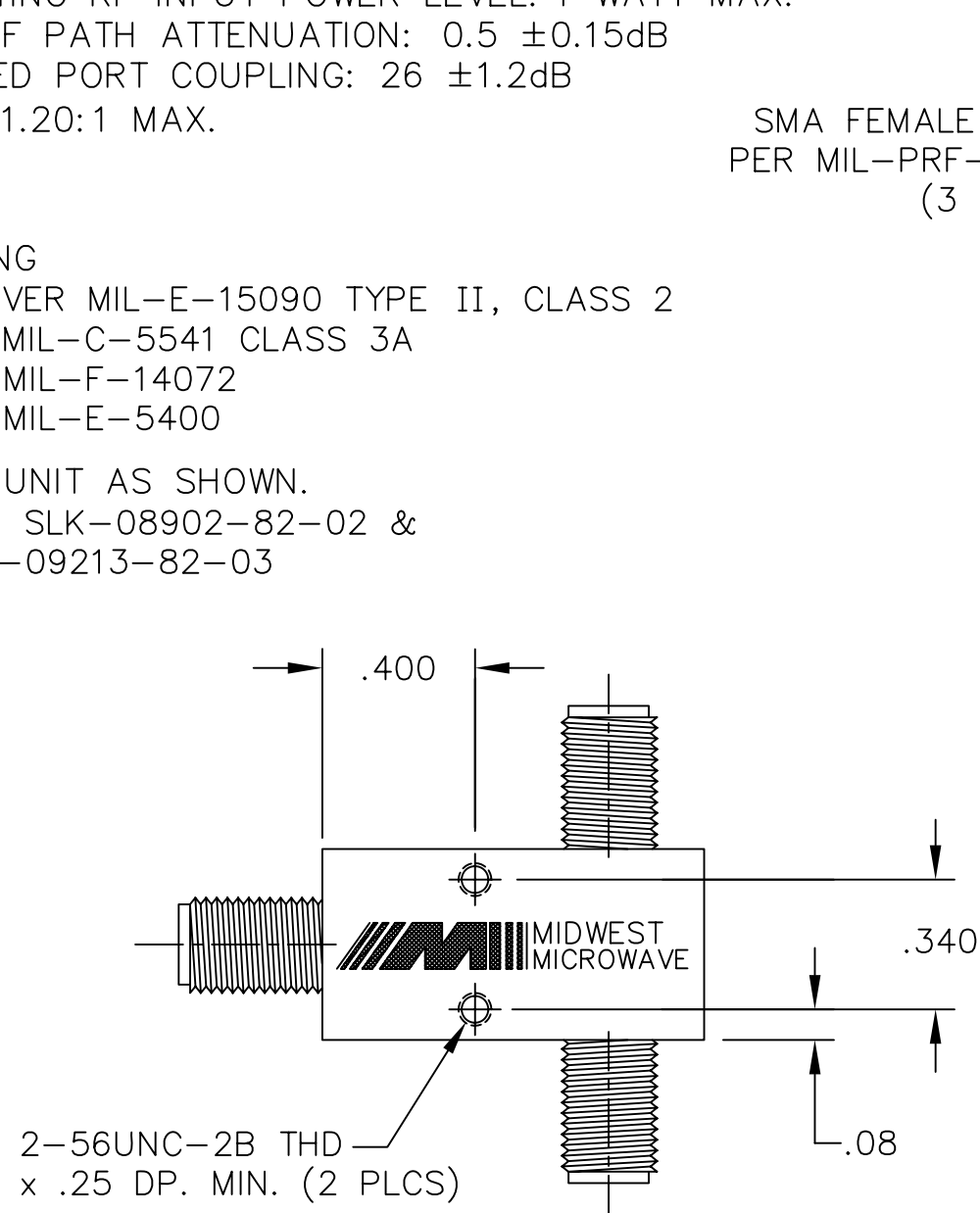
2.0 FINISHING

- 2.1 GREY OVER MIL-E-15090 TYPE II, CLASS 2
OVER MIL-C-5541 CLASS 3A
MEETS MIL-F-14072
MEETS MIL-E-5400

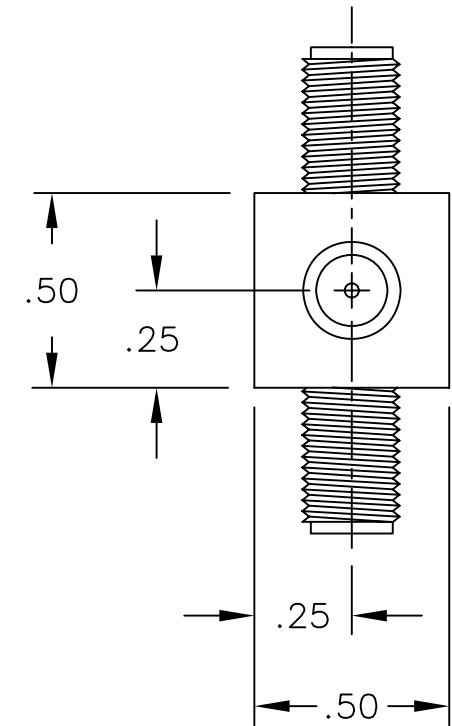
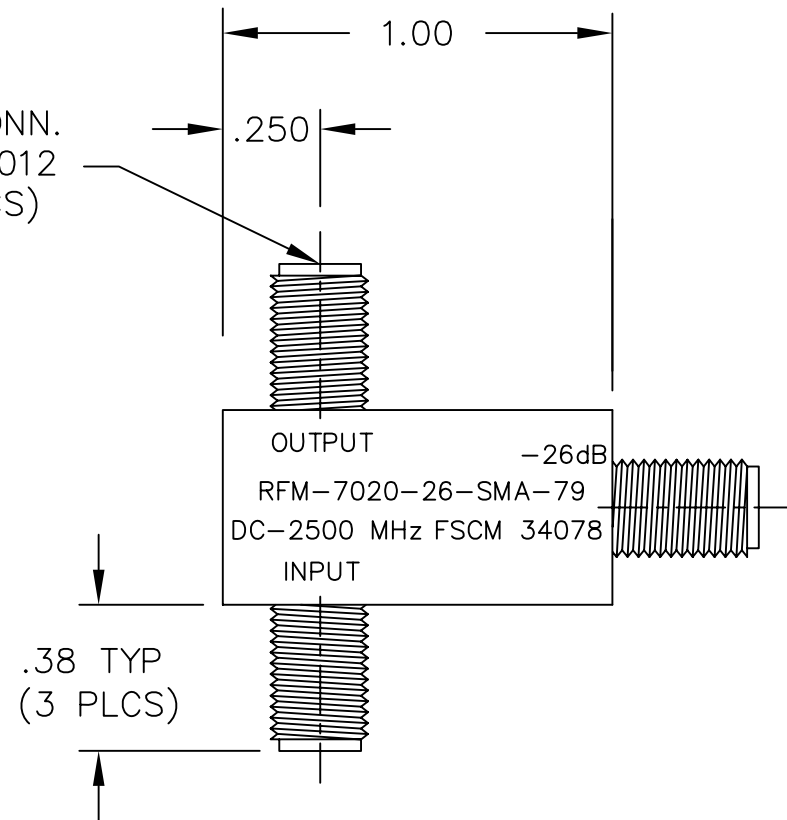
2.2 MARK UNIT AS SHOWN.

REF.: SLK-08902-82-02 &
SLK-09213-82-03

MODEL NUMBER
RFM-7020-26-SMA-79
REV.
A1



SMA FEMALE CONN.
PER MIL-PRF-39012
(3 PLCS)



BACKSIDE
MARKING

UNLESS OTHERWISE
NOTED DIMENSIONS
ARE IN INCHES AND
TOLERANCES ARE:

- 3 PLACE DECIMALS ±.005
- 2 PLACE DECIMALS ±.02
- FRACTIONS ±1/64
- PARALLELITY: T.I.R. _____
- FLATNESS: T.I.R. _____
- CONCENTRICITY: T.I.R. _____
- ANGLES AND PERPENDICULARITY: ±1°

FSCM NO.
34078

MIDWEST MICROWAVE

NOTICE: The information
contained in this
drawing is proprietary
and must not be used
without the permission
of Midwest Microwave

TITLE
RF SIGNAL
SAMPLER

DRAWN/DATE
A.BEATTY
7/18/94

ENG./DATE
P.GOODMAN
8/5/94
APPROVED/DATE

DRAWING NUMBER
RFM-7020-26-SMA-79
SCALE: 2=1 SHEET 1 of 1

REV.	DESCRIPTION	DATE
-	RELEASED	8/6/94
A	ECN 13919	9/12/94
A1	ADDED TITLEBLOCK	7/21/05