

LOC X53

DIST -

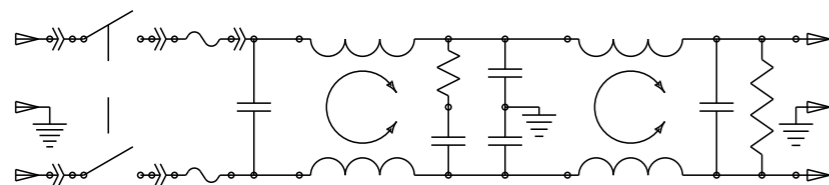
REVISIONS

© COPYRIGHT 20 BY - ALL RIGHTS RESERVED.

P	LTR	DESCRIPTION	DATE	DWN	APVD
	A	ECO-10-017557	10JAN2012	EC	EC

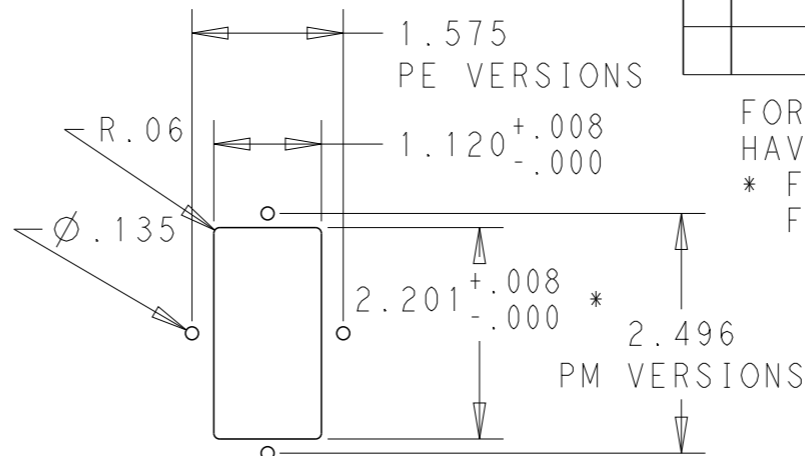
MINIMUM INSERTION LOSS, 50Ω LINE AND LOAD IMPEDANCES

LINE TO GROUND (COMMON MODE)							LINE TO LINE (DIFFERENTIAL MODE)						
CURRENT RATING	FREQUENCY, MHz						CURRENT RATING	FREQUENCY, MHz					
	.15	.5	1	3	10	30		.15	.5	1	3	10	30
3 AMP	50	60	60	49	40	30	3 AMP	25	60	60	53	45	40
6 AMP	34	58	58	47	37	30	6 AMP	9	50	62	54	46	40
10 AMP	6	35	45	45	38	30	10 AMP	10	20	59	54	48	40

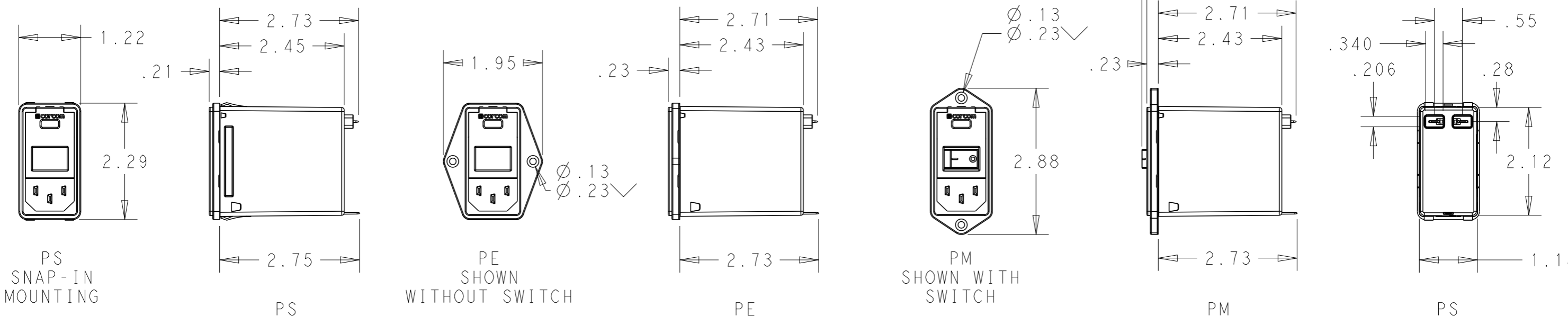
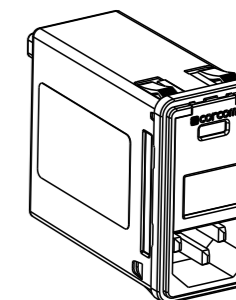


SCHEMATIC

PANEL CUT-OUT



FOR PS VERSIONS THE SHORT EDGES MUST HAVE R.02 ON INSERTION SIDE.  
 \* FOR PANEL THICKNESS 0.031-0.079 USE 2.201  
 FOR PANEL THICKNESS 0.083-0.114 USE 2.213.



PS SNAP-IN MOUNTING

PS

PE SHOWN WITHOUT SWITCH

PE

PM SHOWN WITH SWITCH

PM

PS

PART NUMBER SYSTEM



MOUNTING STYLE  
 S = SEE ABOVE  
 E = SEE ABOVE  
 M = SEE ABOVE

CURRENT  
 3 = 3 AMP  
 6 = 6 AMP  
 X = 10 AMP

SWITCH OPTIONS  
 0 = NONE  
 S = DOUBLE POLE, SINGLE THROW

PSOSOSM6E EXAMPLE:  
 SNAP-IN MOUNTING  
 WITH SWITCH  
 SINGLE FUSING  
 6 AMP  
 0'S ARE ZEROS.

FUSE LOCATIONS  
 D = DUAL FUSING  
 S = SINGLE FUSING  
 INCLUDES CONVERSION CLIP

HIPOT RATING (ONE MINUTE)  
 LINE TO GROUND: 1500 VAC  
 LINE TO LINE: 1450 VDC  
 OPERATING FREQUENCY: 50/60 Hz  
 RATED VOLTAGE: 120/250 VAC  
 FUSING: ACCEPTS 3AG Ø 1/4" X 1-1/4"  
 OR METRIC Ø 5 mm X 20 mm  
 OPERATING AMBIENT TEMP: -10°C TO 40°C  
 STORAGE TEMPERATURE: -40°C TO 85°C

MAX LEAKAGE CURRENT .25mA @ 120V 60Hz  
 PER LINE TO GROUND: .50mA @ 250V 60Hz  
 HUMIDITY: 21 DAYS, 40°C @ 95%RH  
 CURRENT OVERLOAD: 6X RATED FOR 8 SEC  
 SWITCH: 10K CYCLES @ 51 AMP INRUSH  
 TERMINALS: 0.187" X .032 FASTON TABS  
 SAFETY AGENCIES: UL RECOGNIZED, CSA CERTIFIED, VDE APPROVED.

THIS DRAWING IS A CONTROLLED DOCUMENT.		DWN EC 20DEC2011	TE Connectivity	
		CHK - 20DEC2011		
DIMENSIONS: INCHES		APVD EC 20DEC2011	NAME MEDIUM P SERIES SWITCHED, FUSED, 2-STAGE FILTERED INLET	
TOLERANCES UNLESS OTHERWISE SPECIFIED: 0 PLC ±.2 1 PLC ±.1 2 PLC ±.02 3 PLC ±.005 4 PLC ±.0005 ANGLES ±1		PRODUCT SPEC -	RESTRICTED TO -	
MATERIAL -		APPLICATION SPEC -	SIZE A3	CAGE CODE 00779
FINISH -		WEIGHT -	DRAWING NO C-MEDIUM-P-SERIES	
		CUSTOMER DRAWING	SCALE 1:2	SHEET 1 OF 1
			REV A	