

RP328 Series

Bookshelf 3-Phase Delta Single Stage Power Line Filter

RP328 3 PHASE TO 180A BOOKSHELF DESIGN

ROHS COMPLIANT



SPECIFICATIONS

Operating Freq.	: 50/60Hz
Usable Freq.	: DC - 400Hz
Max. Operating Voltage	: 480V +10%
Ambient Temperature	: -25 to 50C
Climatic Category	: 25/100/21
Hipot Rating (L-G)	: 3500VDC
Terminals (-T)	: S: 7/16/30/42/55A (M5) 75/100A (M6) 130/180A (M10)
Safety Approvals	: UR, CSA, EN60939

LEAKAGE CURRENT

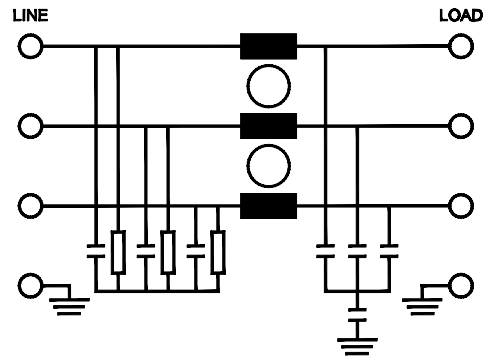
Y-cap, nF	mA, 480V/60Hz
0	0
10	0.1
100	1
1000	10
2000	20

PART NUMBER/ ORDERING

RP328	-X (Amps)	-Y (Ycap, nF)	-T	Weight LBS (KG) Typ.
	7	0	S	2.0 (0.9)
	16	10		3.0 (1.4)
	30	100		4.0 (1.8)
	42	1000		4.0 (1.8)
	55	2000		5.0 (2.3)
	75			7.0 (3.2)
	100			7.0 (3.2)
	130			13.5 (6.1)
	180			18.0 (8.2)

Note: Use any combination of -Y with any -X (Amps) rating
e.g. RP328-130-10-S (130 Amps with 10nF Ycap)

SCHEMATIC



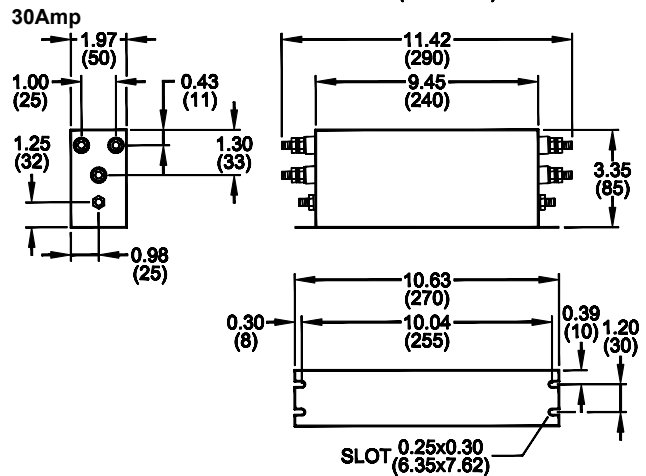
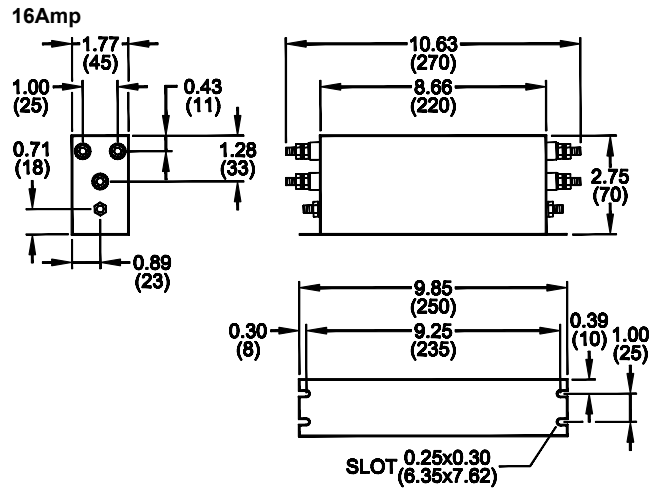
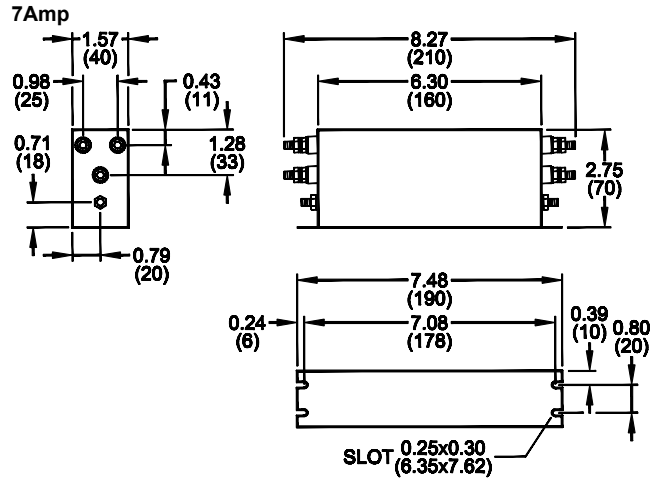
RP328

Typical Insertion Loss, dB (50/50ohm)

Mechanical Drawings

7/16 Amp					
FREQ (MHz)	.15	.5	1	10	30
CM (dB)	65	70	70	50	30
DM (dB)	55	70	70	60	40

30 Amp					
FREQ (MHz)	.15	.5	1	10	30
CM (dB)	65	70	70	45	25
DM (dB)	55	70	70	60	40



TYPICAL TOLERANCE: +/-0.02 (0.50)

Reference purposes only.
Specifications are subject to change.
Consult factory to verify specifications.

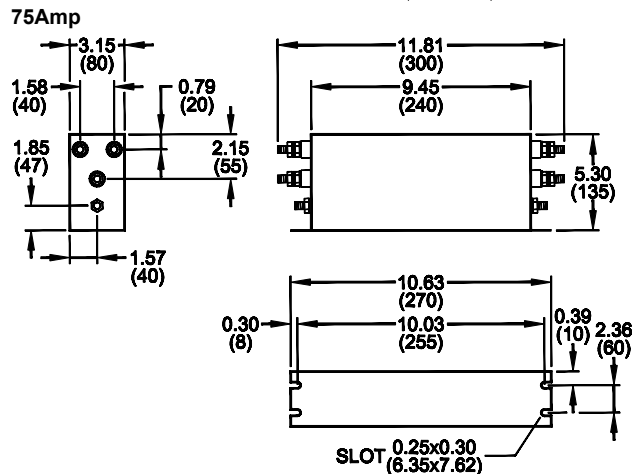
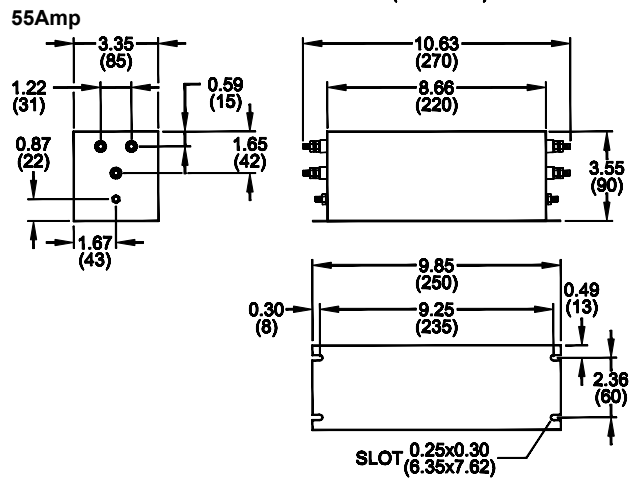
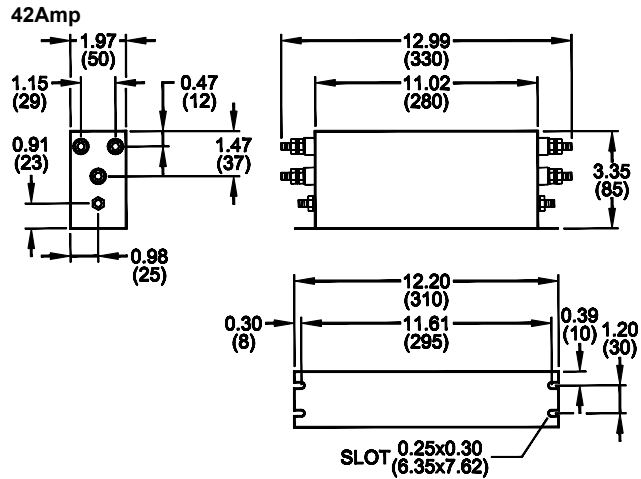
RP328

Typical Insertion Loss, dB (50/50ohm)

Mechanical Dimensions

42/55 Amp					
FREQ (MHz)	.15	.5	1	10	30
CM (dB)	65	70	70	40	20
DM (dB)	55	65	60	50	50

75 Amp					
FREQ (MHz)	.15	.5	1	10	30
CM (dB)	65	70	70	40	20
DM (dB)	55	70	60	55	30



TYPICAL TOLERANCE: +/-0.02 (0.50)

Reference purposes only.
Specifications are subject to change.
Consult factory to verify specifications.

RP328

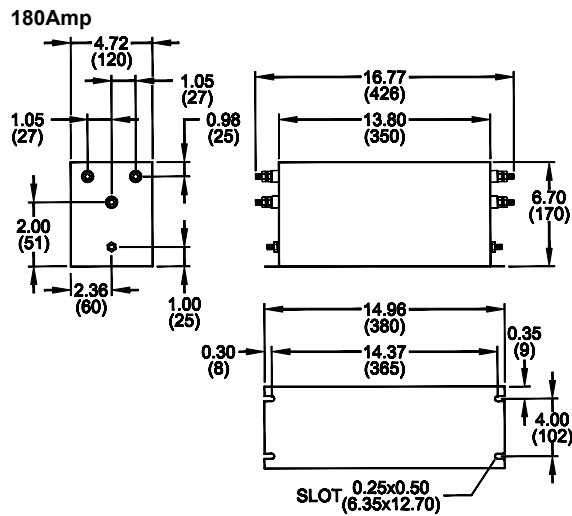
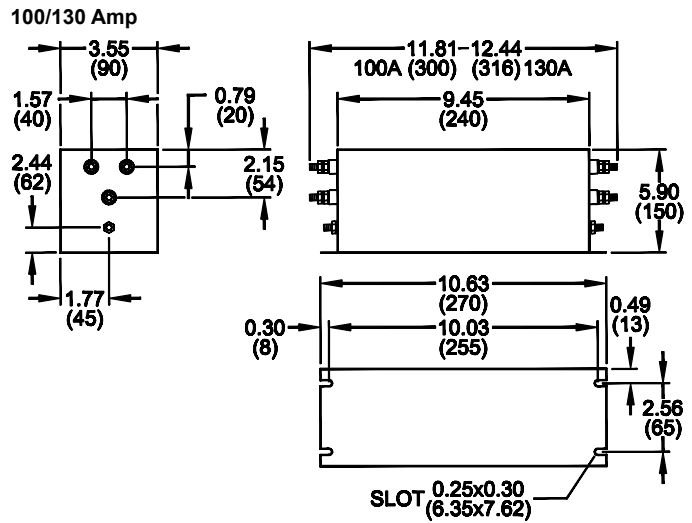
Typical Insertion Loss, dB (50/50ohm)

Mechanical Dimensions

100 Amp					
FREQ (MHz)	.15	.5	1	10	30
CM (dB)	65	70	70	40	20
DM (dB)	55	70	60	55	30

130 Amp					
FREQ (MHz)	.15	.5	1	10	30
CM (dB)	58	70	65	40	22
DM (dB)	55	60	55	40	42

180 Amp					
FREQ (MHz)	.15	.5	1	10	30
CM (dB)	55	70	70	40	20
DM (dB)	50	65	50	40	40



TYPICAL TOLERANCE: +/-0.02 (0.50)

Reference purposes only.
Specifications are subject to change.
Consult factory to verify specifications.