

# QUICKSHEET

## acnSENSA

Take a sense of the environment for unleashed creativity



**MA:DE IN  
GERMANY**

**aconno™**

## Preamble

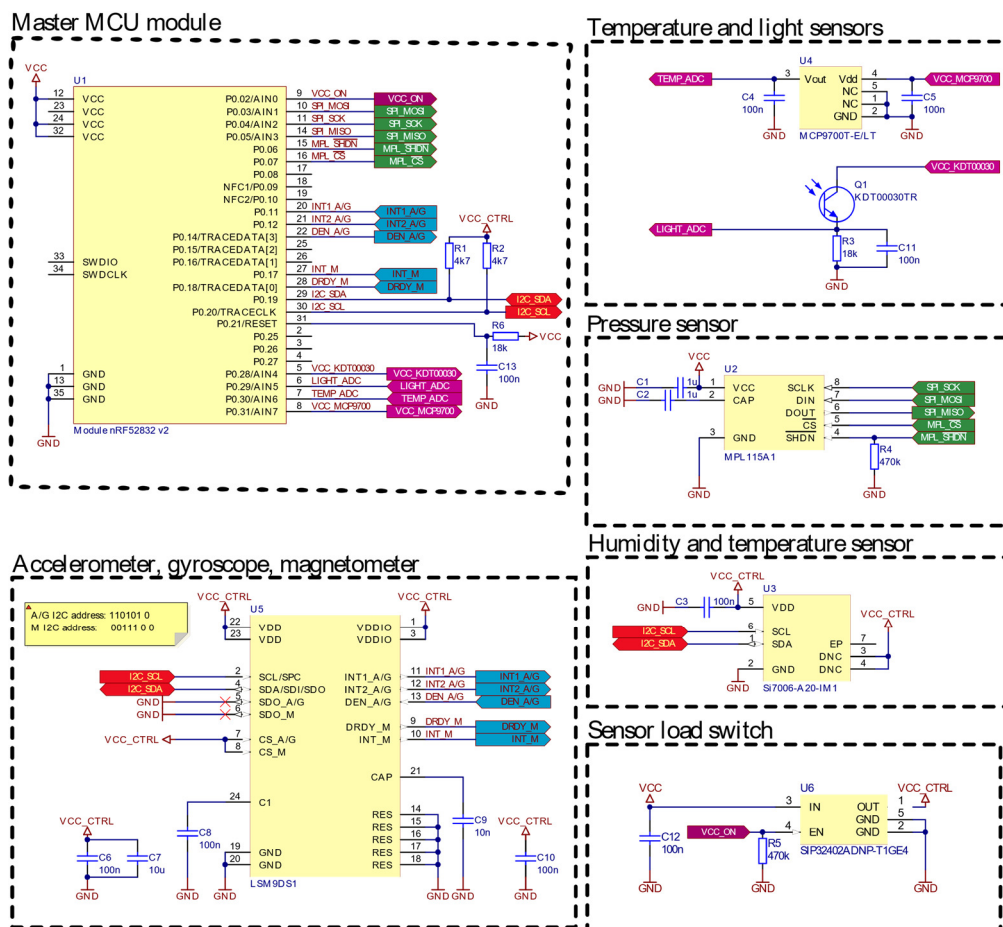
This document is a preface of a real datasheet and is meant to give you enough data for a quick start with this aconno product.

Please take all necessary data (e.g. temperature or voltage ranges) of the used components from the linked datasheets.

## Environmental specifications

- ROHS conform
- Temperature range -40°C to +85°C.
- Rilsan® case with IP65 equivalent
- CR2450 battery powered

## Schematic



## Components

- BLE module: [ACN52832](https://aconno.de/products/acn52832) (<https://aconno.de/products/acn52832>)  
 Phototransistor: [KDT00030TR](https://aconno.de/KDT00030TR) (<https://aconno.de/KDT00030TR>)  
 Temperature sensor: [MCP9700T](https://aconno.de/MCP9700T) (<https://aconno.de/MCP9700T>)  
 Humidity and temperature sensor: [Si7006-A20-IM1](https://aconno.de/Si7006-A20-IM1) (<https://aconno.de/Si7006-A20-IM1>)  
 9DOF sensor: [LSM9DS1](https://aconno.de/LSM9DS1) (<https://aconno.de/LSM9DS1>)  
 Pressure: [MPL115A1](https://aconno.de/MPL115A1) (<https://aconno.de/MPL115A1>)



FACEBOOK



TWITTER



LINKEDIN



YOUTUBE

