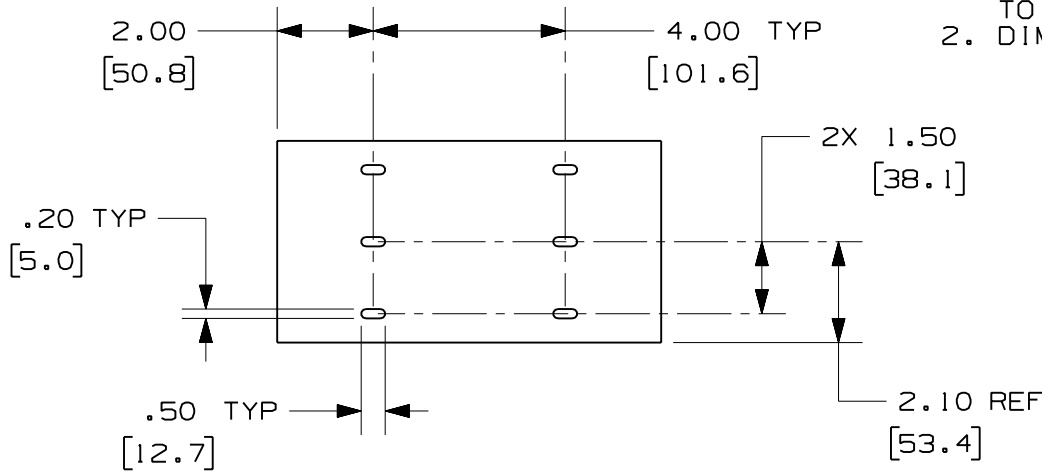


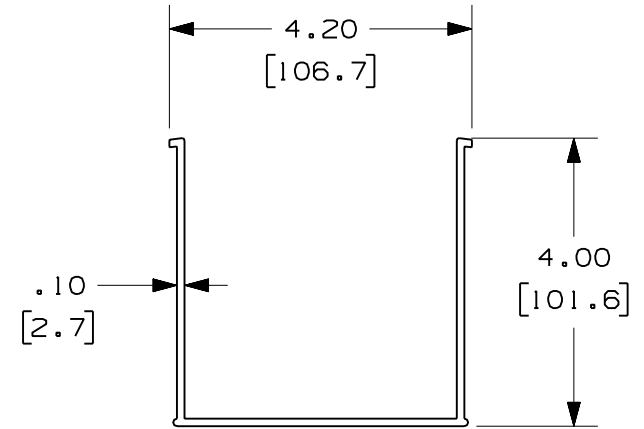
PANDUIT PART NUMBER	LENGTH	WEIGHT	WEIGHT/LENGTH
S4X4**2 (SEE NOTE 1)	78.74 IN ±.18 IN (2000.0mm ±4.6mm)	4.53 LB (2055g)	0.69 LB/FT (10.2g/cm)
S4X4**6 (SEE NOTE 1)	72.00 IN ±.18 IN (1828.8mm ±4.6mm)	4.14 LB (1878g)	0.69 LB/FT (10.2g/cm)
S4X4**2NM (SEE NOTE 1)	78.74 IN ±.18 IN (2000.0mm ±4.6mm)	4.59 LB (2082g)	0.70 LB/FT (10.4g/cm)
S4X4**6NM (SEE NOTE 1)	72.00 IN ±.18 IN (1828.8mm ±4.6mm)	4.20 LB (1905g)	0.70 LB/FT (10.4g/cm)

NOTES:

- SEE CURRENT CATALOG FOR ADDITIONAL PART SUFFIXES TO INDICATE COLOR AND/OR PACKAGE QUANTITY.
- DIMENSIONS IN PARENTHESES ARE IN METRIC.



MOUNTING HOLES - BOTTOM VIEW
(S4X4**2 AND S4X4**6 ONLY)



ENG. REF.: D35245CP_DC_S4X4_00.prt

CAD FILENAME/LAYERS		S4X4.pdf	
PANDUIT CORP TINLEY PARK, ILLINOIS			
FIBER-DUCT 4x4 SOLID WALL CHANNEL (S4X4**2, S4X4**6, S4X4**2NM, S4X4**6NM) CUSTOMER DRAWING			
UNLESS OTHERWISE SPECIFIED, DIMENSIONAL TOLERANCES ARE: (.X) ± (.XXX) ± (.XX) ±.03 (0.8) ANGLES ±		UNLESS OTHERWISE SPECIFIED, ALL DIMENSIONS ARE GIVEN IN INCHES, THIRD ANGLE PROJECTION.	
DRAWN BY	MAT'L:	SCALE	
MSO	PVC	NONE	
DATE		DRAWING NO.	DWG
1-5-07		35245-42	A
CHK'D			SIZE
RN			

REV	DATE	BY	CHK	DESCRIPTION	ECN	R	CUST	SUP	GMBH
R	1-5-07	MSO	RN	RELEASED TO PRODUCTION	35245-42	RN	RN		