

# 1LFS SERIES HIGH-SPEED FUSE BLOCKS

600 V • 1-400 A



## Description

Littelfuse modular style semiconductor fuse blocks accommodate a wide range of semiconductor fuses. Blocks are provided in pairs with fuse mounting hardware.

## Features/Benefits

- Modular design reduces inventory requirements
- Sold in pairs for convenience
- Constructed of general purpose phenolic (with tin plated aluminum terminations)

## Ordering Information

| CATALOG NUMBER | AMPERE RATING | WIRE RANGE        | WIRE RATING | APPROVALS     |
|----------------|---------------|-------------------|-------------|---------------|
| 1LFS101        | 100 A         | #2/0 - 14 CU/AL   | 120 in-lbs  | UL Recognized |
| 1LFS102        | 400 A         | 250MCM - #6 CU/AL | 275 in-lbs  | UL Recognized |

## Recommended Fuses

### 1LFS101

| FUSE SERIES | AMPERE RATINGS |
|-------------|----------------|
| L15S        | 70-100         |
| L25S        | 35-100         |
| L50S        | 35-100         |
| L60S        | 35-100         |
| KLC         | 1-100          |
| L50QS       | 35-100         |

### 1LFS102

| FUSE SERIES | AMPERE RATINGS |
|-------------|----------------|
| L15S        | 70-400         |
| L25S        | 70-200         |
| L50S        | 125-200        |
| L60S        | 125-200        |
| L50QS       | 125-200        |
| JLLS        | 110-200        |

## Specifications

|                            |  |
|----------------------------|--|
| <b>Voltage Rating</b>      | 600 V  |
| <b>Ampere Rating</b>       | 1 – 400 A  |
| <b>Approvals</b>           | UL Recognized E14721   |
| <b>Material</b>            | <b>Base:</b> 150 °C general purpose phenolic<br><b>Terminal:</b> Tin plated aluminum |
| <b>Flammability Rating</b> | UL94 V-0   |

## Web Resources

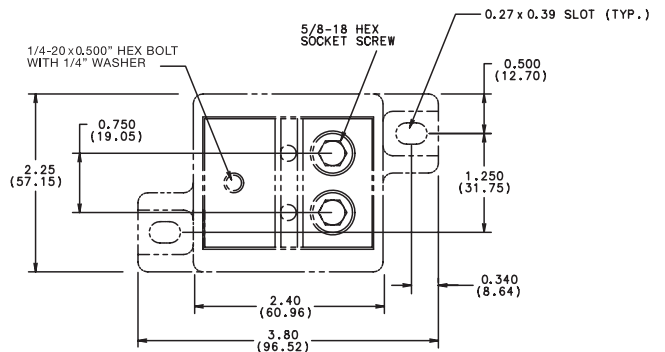
Download CAD drawings and other technical information:  
[littelfuse.com/1lfs](http://littelfuse.com/1lfs)

## Dimensions Inches (mm)

### 1LFS101



### 1LFS102



**Disclaimer Notice** – Information furnished is believed to be accurate and reliable. However, users should independently evaluate the suitability of and test each product selected for their own applications. Littelfuse products are not designed for, and may not be used in, all applications. Read complete Disclaimer Notice at [www.littelfuse.com/product-disclaimer](http://www.littelfuse.com/product-disclaimer).