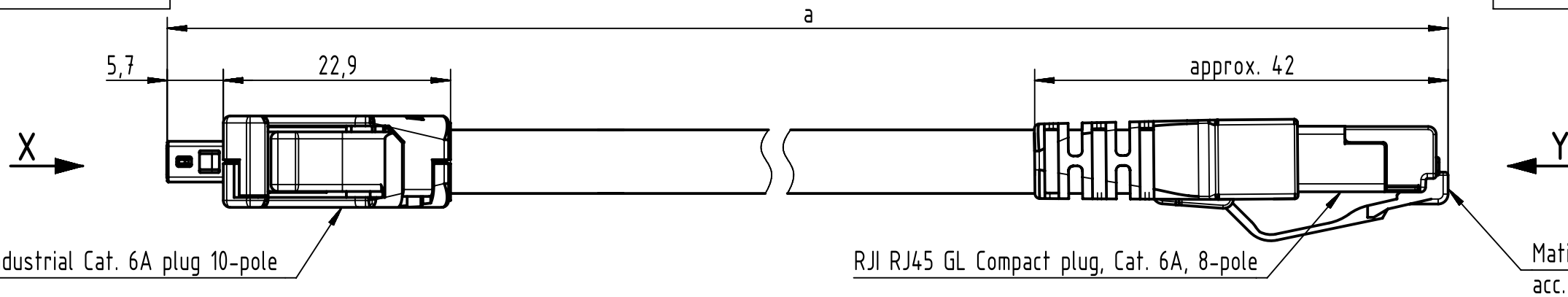


Connector Location A

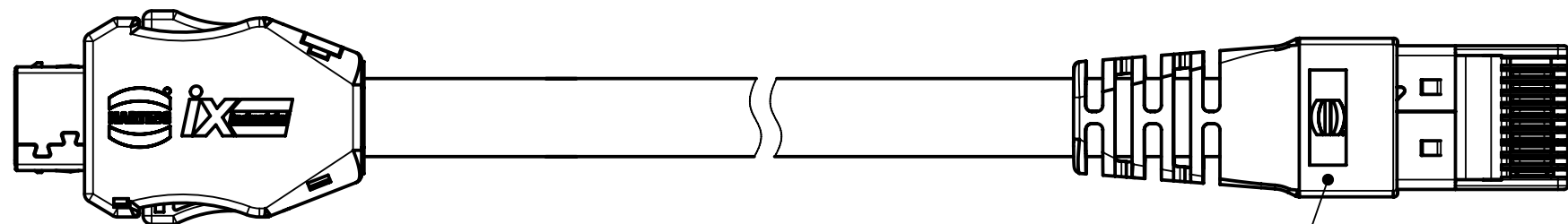
Connector Location B



HARTING ix Industrial Cat. 6A plug 10-pole

RJI RJ45 GL Compact plug, Cat. 6A, 8-pole

Mating face RJ45 acc. to IEC 60603-7

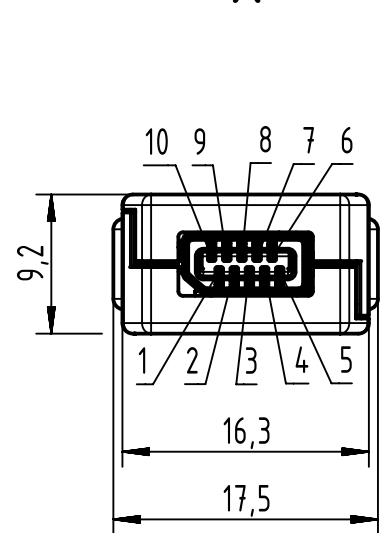


Black compact boot with HARTING logo

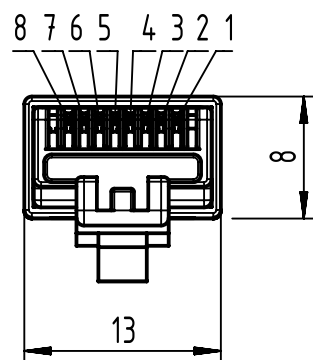
Loading-Plan acc. to TIA/EIA 568B

X

Y



| Shield | |
|--------|--------------|
| 1 | white/orange |
| 2 | orange |
| 4 | blue |
| 5 | white/blue |
| 6 | white/green |
| 7 | green |
| 9 | white/brown |
| 10 | brown |



Contacts 3 and 8 are not connected

- Protection level: IP20
- Temperature range: -40°C...+80°C

| | | |
|-----------------------|-------|---------|
| length in "1m" step | 100 | XXX=000 |
| | 99 | XXX=990 |
| | 12 | XXX=120 |
| | 11 | XXX=110 |
| length in "0.1m" step | 10 | XXX=100 |
| | 9.9 | XXX=099 |
| | 9.8 | XXX=098 |
| | 0.5 | XXX=005 |
| | 0.4 | XXX=004 |
| | 0.3 | XXX=003 |
| | 0.2 | XXX=002 |
| Step | a [m] | XXX |

| | |
|------------|-----------|
| 6.0 to 100 | ±1% |
| 0.6 to 5.9 | +0.04 |
| 0.2 to 0.5 | +0.02 |
| a [m] | Tolerance |

4x2xAWG28, yellow, PVC, Cat. 6A

09482612749XXX

Type of cable

Part no.

| | | | | | | | |
|------------------------------|--|---|--------------|-----------------|------------|-------------------------------------|------|
| All Dimensions in mm | | Tech. Character. | | Free size tol. | | According to production drawing | |
| All rights reserved | | Created by | Inspected by | Standardisation | Date | State | |
| Department HCS - RO | | MUNTEANV | COSTEA | AVRAM | 2017-10-19 | Final Release | |
| HARTING Customised Solutions | | Title ix Industrial - RJ45 PVC cable assembly | | | | Doc-Key / ECM-Nr. | |
| D-32427 Minden | | Type | Number | 09482612749XXX | | 100695572/UGD/000/B 500000126826 | |
| | | TB | | | | Rev. | Page |
| | | | | | | B | 1/1 |

Mouser Electronics

Authorized Distributor

Click to View Pricing, Inventory, Delivery & Lifecycle Information:

HARTING:

[09482612749015](#) [09482612749005](#) [09482612749010](#) [09482612749020](#) [09482612749030](#) [09482612749050](#)
[09482612749100](#) [09482612749002](#) [09482612749003](#) [09482612749006](#) [09482612749007](#) [09482612749008](#)
[09482612749009](#) [09482612749025](#) [09482612749004](#) [09482612749075](#)