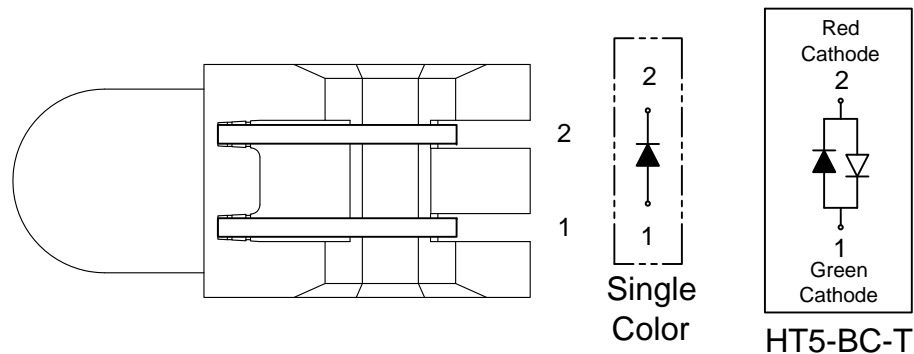
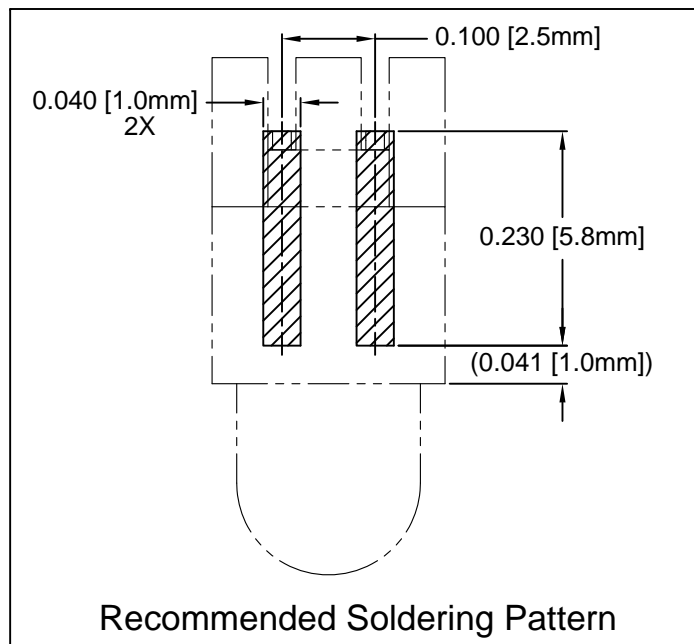
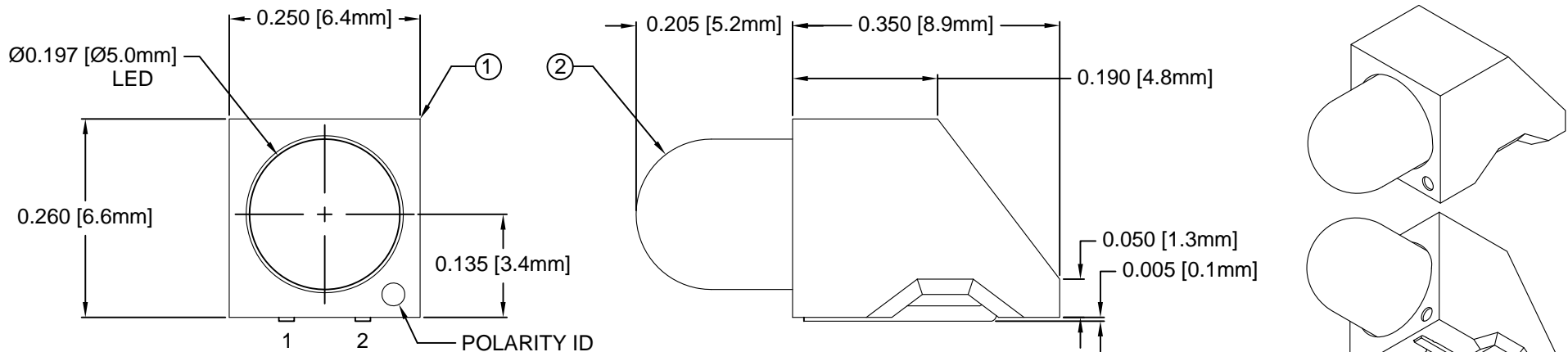


| ITEM | QTY | PART NUMBER | PART DESCRIPTION                                             |
|------|-----|-------------|--------------------------------------------------------------|
| 1    | 1   | HT5         | T1 3/4 (5mm) High Temperature Single Level Holder, 90° Mount |
| 2    | 1   | BDL-XXXX    | T1 3/4 (5mm) N-Flange LED, See Page 2                        |

| REV. | DESCRIPTION                    | DATE     | APPROVED |
|------|--------------------------------|----------|----------|
| B    | Engineering Release            | 04/19/11 | T. Y.    |
| C    | Engineering Update w/o Changes | 06/25/16 | J. C.    |
|      |                                |          |          |
|      |                                |          |          |



## ABSOLUTE MAXIMUM RATINGS (Ta=25° C)

|                                                   |                      |
|---------------------------------------------------|----------------------|
| REVERSE VOLTAGE _____                             | 5V                   |
| REVERSE CURRENT _____                             | 100uA                |
| OPERATING TEMPERATURE RANGE _____                 | -25° C - 85° C       |
| STORAGE TEMPERATURE _____                         | -30° C - 100° C      |
| LEAD SOLDERING TEMPERATURE(1/16" FROM BODY) _____ | 260° C FOR 5 SECONDS |

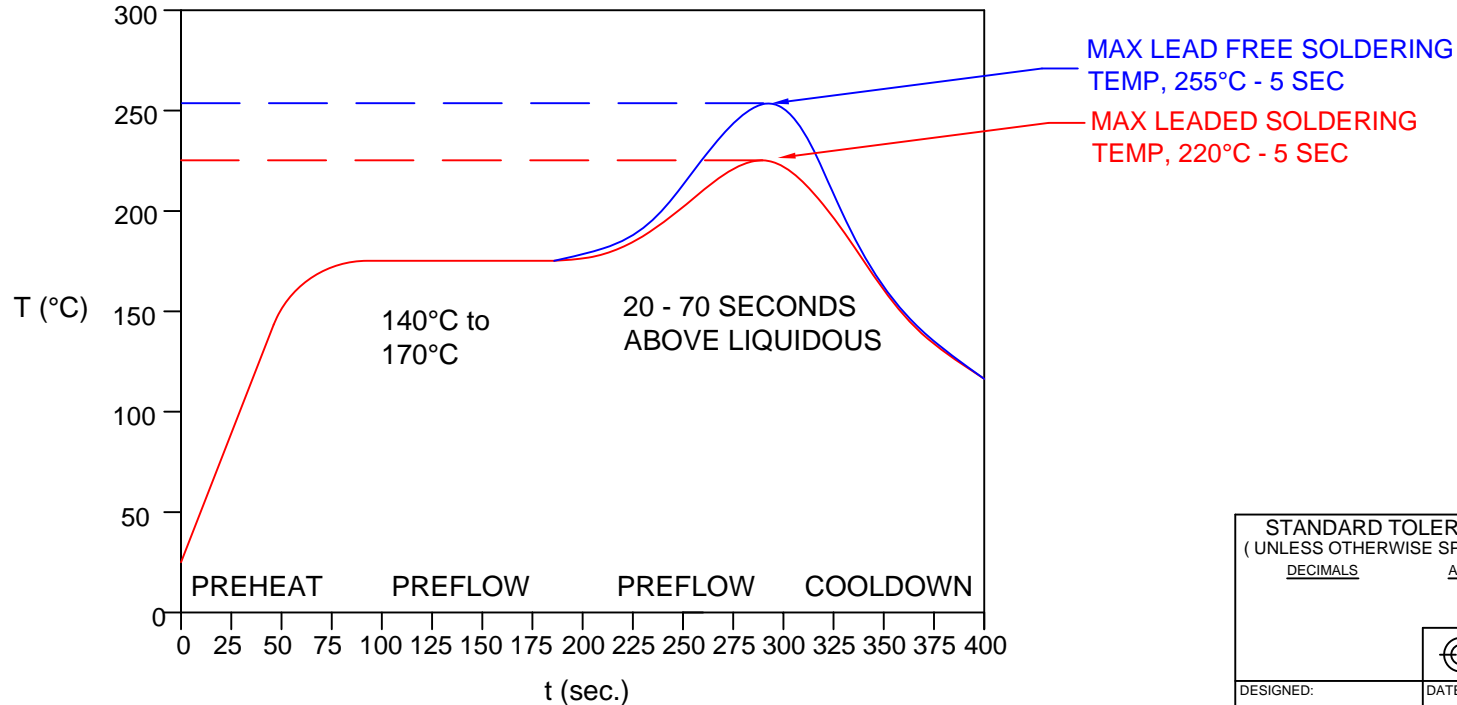
| STANDARD TOLERANCE<br>(UNLESS OTHERWISE SPECIFIED) |                          | BIVAR®                                                              |                       |
|----------------------------------------------------|--------------------------|---------------------------------------------------------------------|-----------------------|
| DECIMALS                                           | ANGULAR                  | 4 THOMAS, IRVINE, CA. 92618                                         |                       |
| .X ± .1                                            | X° ± 1°                  | TEL: (949) 951-8808 FAX: (949) 951-3974                             |                       |
| .XX ± .02                                          |                          | <b>TITLE:</b> T1 3/4 (5mm) SMT 90° SURFACE MOUNT LED, TAPE AND REEL |                       |
| .XXX ± .010                                        |                          | <b>PART NO:</b> HT5-XXX-T                                           | <b>REVISION:</b> C    |
| DESIGNED:<br><b>R. Paje</b>                        | DATE:<br><b>04/26/10</b> | <b>CAGE CODE :</b> 32559                                            | <b>SHEET # 1 OF 3</b> |
| CHECKED:<br><b>T. Yin</b>                          | DATE:<br><b>04/26/10</b> | CAD GENERATED DOCUMENT. DO NOT MEASURE DRAWING.                     |                       |



|      |              |      |          |
|------|--------------|------|----------|
| REV. | DESCRIPTION  | DATE | APPROVED |
|      | SEE SHEET #1 |      |          |
|      |              |      |          |

### AVAILABLE CONFIGURATIONS

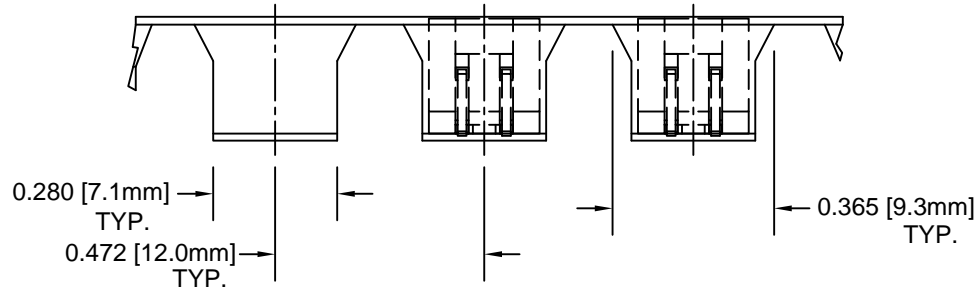
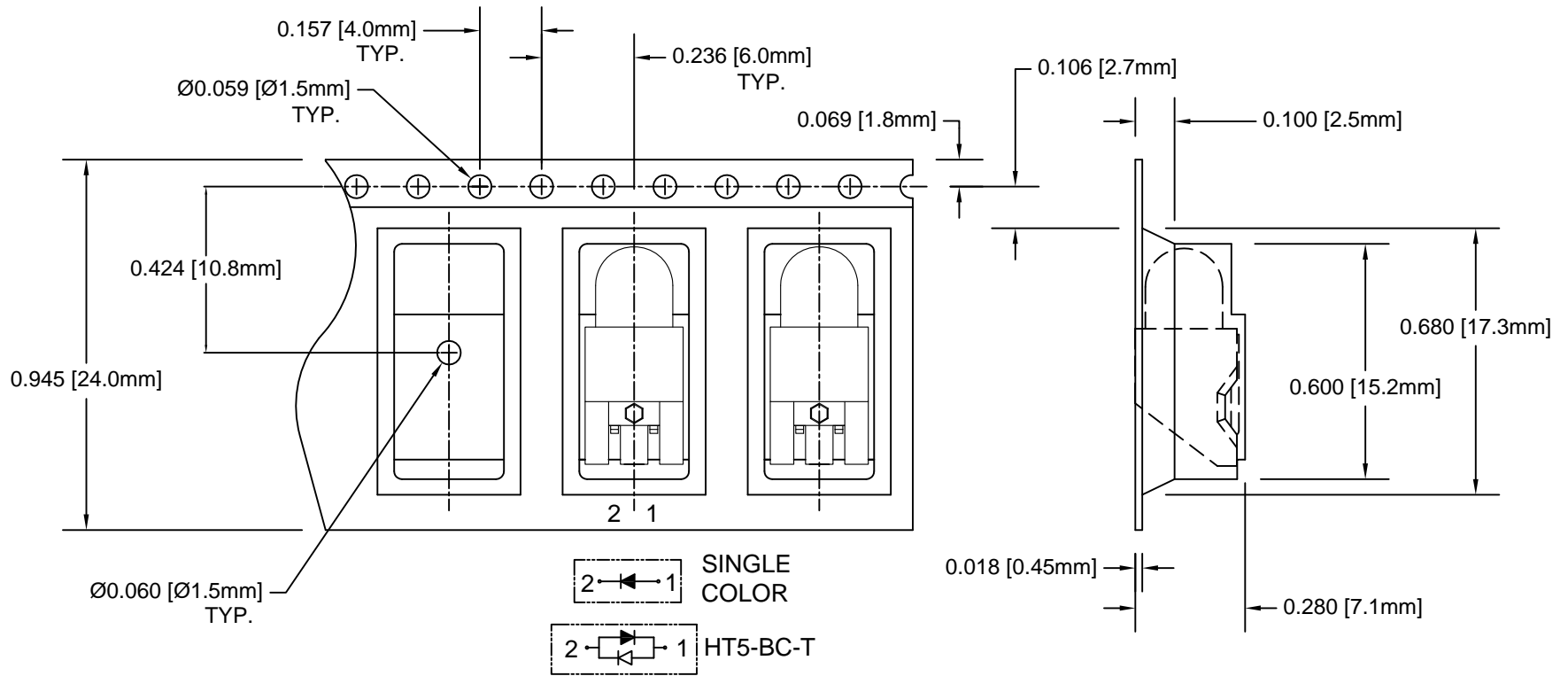
| Assy P/N                                           | Emitted Color | Peak Wave Length $\lambda_p$ (nm) | Lens Appearance | Absolute Max. Ratings |         |              | Vf (V) |     | Iv (mcd) | Viewing Angle $2\theta_{1/2}$ (Deg) | LED P/N  |
|----------------------------------------------------|---------------|-----------------------------------|-----------------|-----------------------|---------|--------------|--------|-----|----------|-------------------------------------|----------|
|                                                    |               |                                   |                 | Pd (mW)               | If (mA) | Peak If (mA) | TYP    | MAX | TYP      |                                     |          |
|                                                    |               |                                   |                 |                       |         |              |        |     |          |                                     |          |
| <b>STANDARD SINGLE COLOR LED ASSEMBLIES (20mA)</b> |               |                                   |                 |                       |         |              |        |     |          |                                     |          |
| HT5-BLU-T                                          | BLUE          | 430                               | DIFFUSED        | 150                   | 25      | 70           | 4.0    | 4.5 | 15       | 45                                  | BDL-1363 |
| HT5-GRN-T                                          | GREEN         | 568                               |                 | 80                    | 30      | 150          | 2.1    | 2.8 | 25       | 45                                  | BDL-1360 |
| HT5-RED-T                                          | HE RED        | 625                               |                 | 80                    | 30      | 150          | 2.0    | 2.8 | 25       | 45                                  | BDL-1361 |
| HT5-YEL-T                                          | YELLOW        | 590                               |                 | 85                    | 30      | 150          | 2.0    | 2.8 | 25       | 45                                  | BDL-1362 |
| <b>STANDARD BI-COLOR LED ASSEMBLIES (20mA)</b>     |               |                                   |                 |                       |         |              |        |     |          |                                     |          |
| HT5-BC-T                                           | RED           | 625                               | WHITE DIFFUSED  | 80                    | 30      | 150          | 2.0    | 2.8 | 6        | 45                                  | BDL-1359 |
|                                                    | GREEN         | 568                               |                 | 80                    | 30      | 150          | 2.1    | 2.8 | 8        |                                     |          |

### CONVECTIVE REFLOW SOLDERING PROFILE



|                                                    |                          |                                                                                                                                                                 |                       |
|----------------------------------------------------|--------------------------|-----------------------------------------------------------------------------------------------------------------------------------------------------------------|-----------------------|
| STANDARD TOLERANCE<br>(UNLESS OTHERWISE SPECIFIED) |                          | <br>4 THOMAS, IRVINE, CA. 92618<br>TEL: (949) 951-8808 FAX: (949) 951-3974 |                       |
| DECIMALS                                           | ANGULAR                  |                                                                                                                                                                 |                       |
|                                                    |                          |  <b>TITLE:</b> T1 3/4 (5mm) SMT 90° SURFACE MOUNT LED, TAPE AND REEL       |                       |
| DESIGNED:<br><b>R. Paje</b>                        | DATE:<br><b>04/26/10</b> | <b>PART NO:</b><br>HT5-XXX-T                                                                                                                                    | REVISION:<br><b>C</b> |
| CHECKED:<br><b>T. Yin</b>                          | DATE:<br><b>04/26/10</b> | <b>CAGE CODE :</b> 32559                                                                                                                                        | <b>SHEET # 2 OF 3</b> |
| CAD GENERATED DOCUMENT. DO NOT MEASURE DRAWING.    |                          |                                                                                                                                                                 |                       |

| REV. | DESCRIPTION  | DATE | APPROVED |
|------|--------------|------|----------|
|      | SEE SHEET #1 |      |          |



|                                                 |                          |                                                                            |                       |
|-------------------------------------------------|--------------------------|----------------------------------------------------------------------------|-----------------------|
| STANDARD TOLERANCE (UNLESS OTHERWISE SPECIFIED) |                          | <br>4 THOMAS, IRVINE, CA. 92618<br>TEL: (949) 951-8808 FAX: (949) 951-3974 |                       |
| DECIMALS                                        | ANGULAR                  |                                                                            |                       |
| .X ± .1                                         | X° ± 1°                  | <br><b>TITLE:</b> T1 3/4 (5mm) SMT 90° SURFACE MOUNT LED, TAPE AND REEL    |                       |
| .XX ± .02                                       |                          |                                                                            |                       |
| .XXX ± .010                                     |                          |                                                                            |                       |
| DESIGNED:<br><b>R. Paje</b>                     | DATE:<br><b>04/26/10</b> | <b>PART NO:</b><br>HT5-XXX-T                                               | REVISION:<br><b>C</b> |
| CHECKED:<br><b>T. Yin</b>                       | DATE:<br><b>04/26/10</b> | <b>CAGE CODE :</b> 32559                                                   | <b>SHEET #</b> 3 OF 3 |
| CAD GENERATED DOCUMENT. DO NOT MEASURE DRAWING. |                          |                                                                            |                       |

NOTES:  
 2. UNLESS OTHERWISE SPECIFIED, PACKAGING TO COMPLY WITH EIA-481-D.  
 1. 750 pcs PER REEL