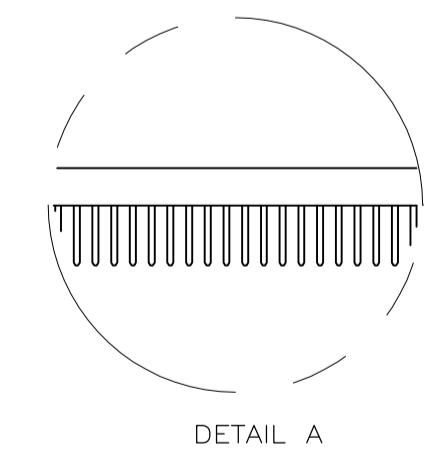


⊕ 0.00 [.000] (M) D (M) E (M) TYP



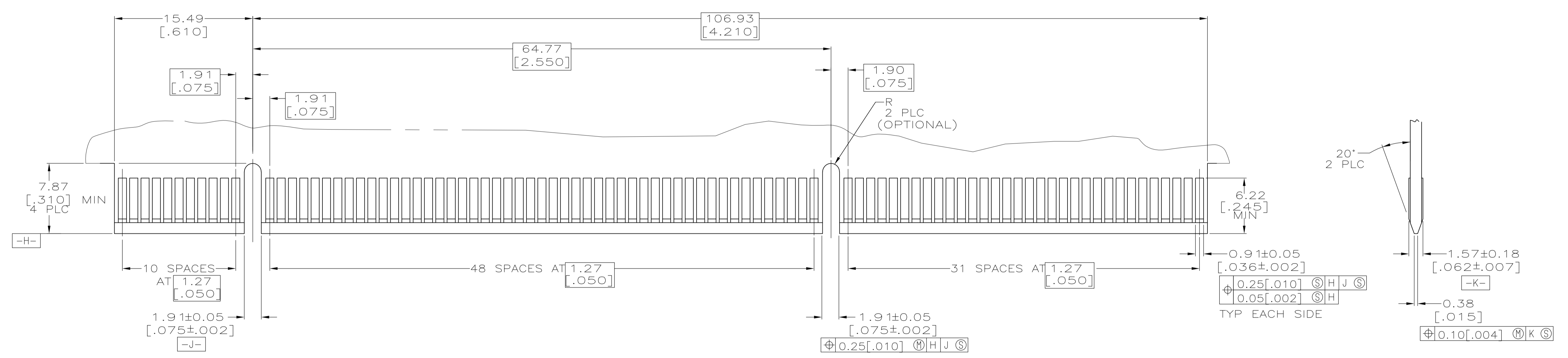
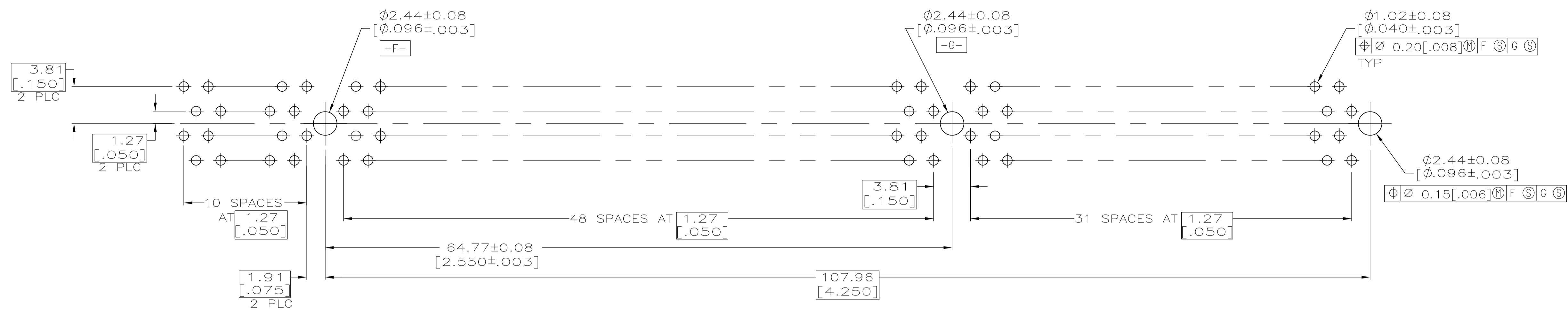
- ① HOUSING: HIGH TEMPERATURE THERMOPLASTIC. COLOR - NATURAL
- ② CONTACT: PHOSPHOR BRONZE.
- ③ METAL HOLD DOWN: BRASS
- ④ CONTACT FINISH: .001269 [.000050] MIN NICKEL ALL OVER. GOLD FLASH OVER NICKEL IN CONTACT AREA. .002537 [.000100] MIN MATTE TIN OVER NICKEL ON SOLDER TAILS.
- ⑤ CONTACT FINISH: .001269 [.000050] MIN NICKEL ALL OVER. .000375 [.000015] GOLD OVER NICKEL IN CONTACT AREA. .002537 [.000100] MIN MATTE TIN OVER NICKEL ON SOLDER TAILS.
- ⑥ CONTACT FINISH: .001269 [.000050] MIN NICKEL ALL OVER. .000757 [.000030] GOLD OVER NICKEL IN CONTACT AREA. .002537 [.000100] MIN MATTE TIN OVER NICKEL ON SOLDER TAILS.
- ⑦ DISTANCE FROM CONTACT POINT TO BOTTOM OF CARD SLOT.
- ⑧ METAL HOLD DOWN FINISH: .001269 [.000050] MIN NICKEL ALL OVER, .003809 [.000150] MIN MATTE TIN ALL OVER.
- ⑨ AMP PART NUMBER, DATE CODE AND CSA LOGO MARKED IN APPROXIMATE LOCATION SHOWN.
- ⑩ CORED OR SOLID SIDE WALLS ARE AT DISCRETION OF AMP INCORPORATED.
- ⑪ HOUSING: HIGH TEMPERATURE THERMOPLASTIC COLOR- GREEN, PANTONE COLORS 355C OR 365C
- ⑫ HOUSING: HIGH TEMPERATURE THERMOPLASTIC COLOR: BLACK
- ⑬ OBSOLETE PARTS: OBSOLETE CIS STREAMLINING PER D.RENAUD/D.SINISI

SEE SHEET 2 FOR HOLE PATTERN

⑬ OBSOLETE	⑫ 2.54 [.100]	⑪ 2-5145168-9
	⑩ 3.18 [.125]	⑨ 2-5145168-8
	⑧ 3.56 [.140]	⑦ 1-5145168-2
	⑦ 3.18 [.125]	⑥ 5145168-8
	⑥ 2.54 [.100]	⑤ 5145168-4
	⑤ 2.54 [.100]	④ 5145168-2
	④ 2.54 [.100]	③ 5145168-1
HSG MATL	W	FINISH
		PART NUMBER

THIS DRAWING IS A CONTROLLED DOCUMENT.

DIMENSIONS: mm 	TOLERANCES UNLESS OTHERWISE SPECIFIED: 0 PLC ± - 1 PLC ± - 2 PLC ± 0.25 [.01] 3 PLC ± 0.127 [.005] 4 PLC ± - ANGLES ± - FINISH: ① ② ③ ④ ⑤ ⑥ ⑦ ⑧ ⑨ ⑩ ⑪ ⑫ ⑬	DWN AL FRANTUM 22 JAN 05 CHK AL FRANTUM 22 JAN 05 APVD S. FLICKINGER 25JULY2006 NAME: 108-14034 APPLICATION SPEC: 114-26012 WEIGHT: - CUSTOMER DRAWING	AL FRANTUM 22 JAN 05 AL FRANTUM 25JULY2006 NAME: CONNECTOR ASSEMBLY, 92 DUAL POSITION, 1.27 (.050) SERIES SIZE: A1 CASE CODE: 00779 DRAWING NO: 5145168 RESTRICTED TO: - SCALE: 4:1 SHEET 1 OF 2 REV B2
--------------------	--	--	--



THIS DRAWING IS A CONTROLLED DOCUMENT.		DWN AL FRANTUM 22 JAN 05 CHK AL FRANTUM 22 JAN 05 APVD S FLICKINGER 26 JUL 2006 NAME S FLICKINGER	TE Connectivity
DIMENSIONS: mm TOLERANCES UNLESS OTHERWISE SPECIFIED: 0 PLC ± - 1 PLC ± - 2 PLC ± 0.25 [.01] 3 PLC ± 0.127 [.005] 4 PLC ± - ± $\alpha$ ANGLES ± - ± $\alpha$		PRODUCT SPEC 108-14034 APPLICATION SPEC 114-26012	
MATERIAL SEE SHEET 1	FINISH SEE SHEET 1	WEIGHT - CUSTOMER DRAWING	SIZE A1 CAGE CODE 00779 DRAWING NO. 5145168 SCALE 4:1 SHEET 2 OF 2 REV B1