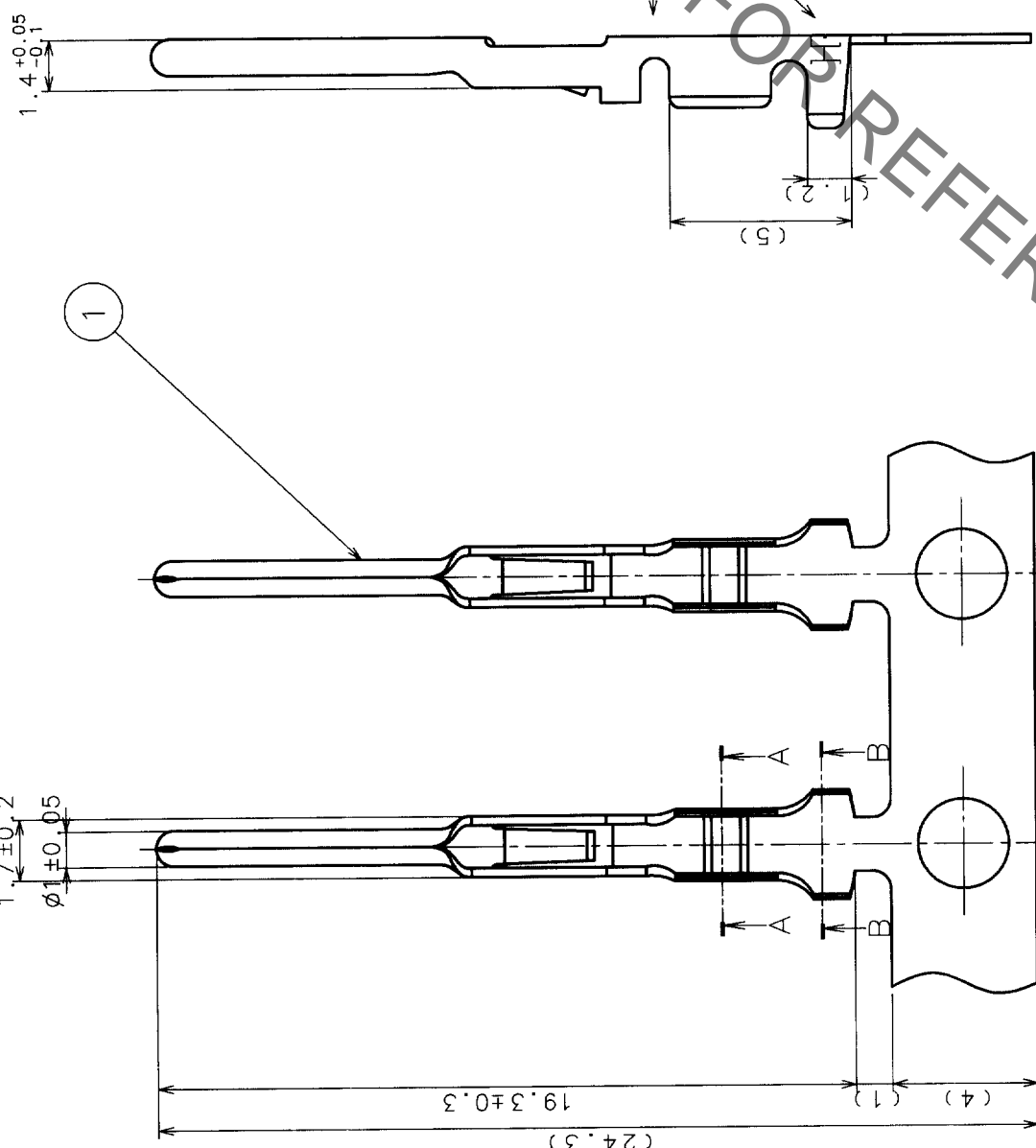
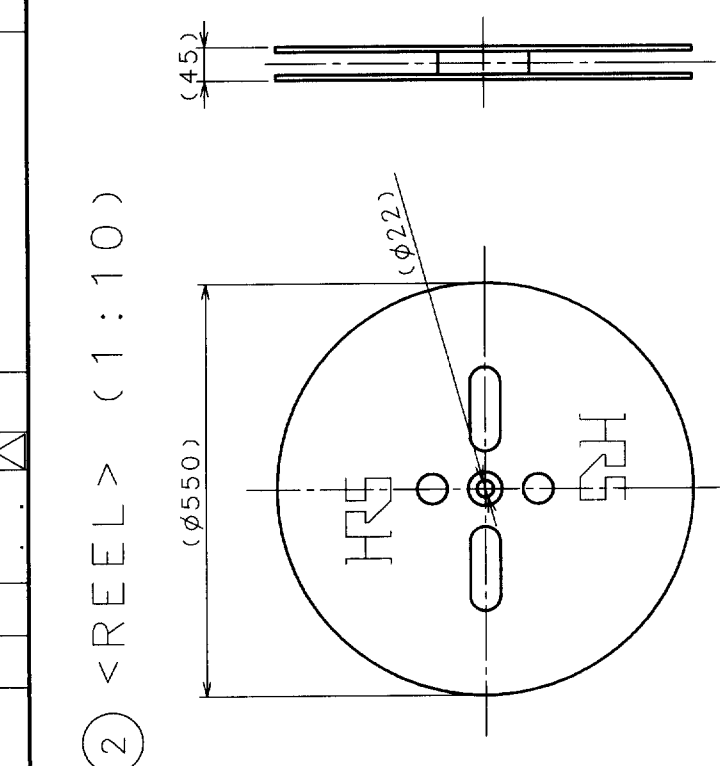


COUNT	DESCRIPTION OF REVISIONS	BY	CHKD	DATE	COUNT	DESCRIPTION OF REVISIONS	BY	CHKD	DATE
△					△				
△					△				
△					△				



HRS DRAWING FOR REFERENCE

- NOTES 1 APPLICABLE CONTACT EXTRACTION TOOL : RM-TP (CL150-0008-7)
- 2 APPLICABLE WIRE : AWG#24~#20

1	PHOSPHOR BRONZE MATERIAL	SILVER PLATING (n=8000)	2	FIBERBOARD MATERIAL	REEL FINISH, REMARKS
NO.			NO.		
CODE NO. (OLD)	DRAWN		DESIGNED	CHECKED	APPROVED
	H. YOKOMIZO		H. K. Y.	M. Sato	M. Yoshida
	98.5.19		98.5.19	98.5.23	98.5.26
DRAWING NO.		PART NO.			
EDC3-009204		JRC-PC2-212			
SCALE		CODE NO.			
5 : 1		CL114-0245-9			
UNITS		HIROSE ELECTRIC CO., LTD.			
mm					

TO	
R	