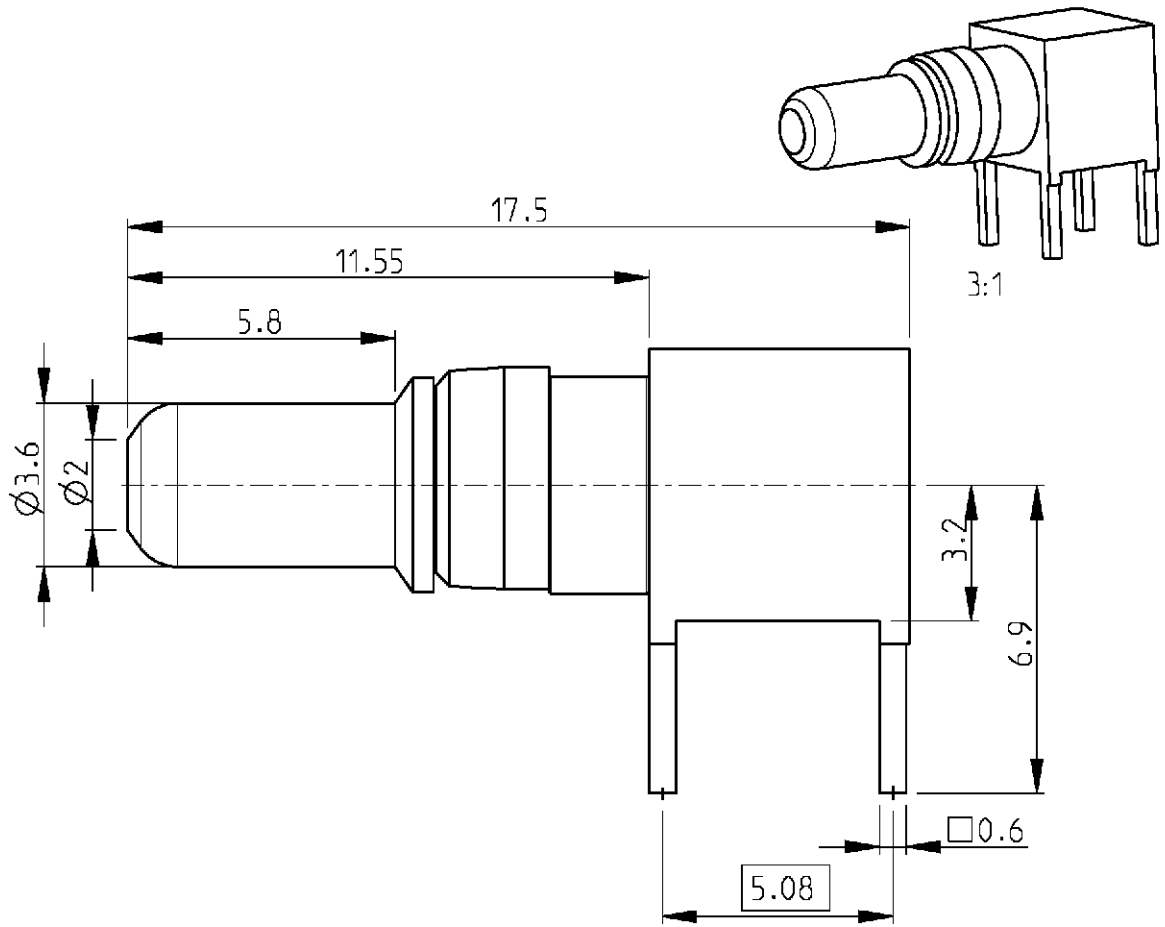


LOC	DIST	REVISIONS				
P	LTR	DESCRIPTION	DATE	DWN	APVD	
GW	-	A	-	19APR2001	BL	KM

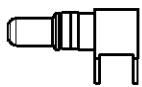


2) All dimensions are max unless otherwise specified.

1) Application : DIN 41612 type M.

Cross reference table

Old part number	Tyco part number	Current	Material	Plating
C42334-A347-A102	1-1393589-8	25 A	Brass	1 μ m Au or PD in contact area



1:1

2000
RELEASED FOR PUBLICATION

THIS DRAWING IS UNPUBLISHED.
COPYRIGHT 2000 BY TYCO ELECTRONICS CORPORATION. ALL RIGHTS RESERVED.

DIMENSIONS:		DWN	19APR2001
mm		B. Lenvain	
TOLERANCES UNLESS OTHERWISE SPECIFIED:		CHR	19APR2001
0 PLC	\pm	K. Mattheeuws	
1 PLC	\pm	APVD	19APR2001
2 PLC	\pm	R. Leeman	
3 PLC	\pm	PRODUCT SPEC	-
4 PLC	\pm	APPLICATION SPEC	-
ANGLES	\pm	WEIGHT	-

MATERIAL		FINISH	
-		-	
tyco Electronics		Tyco Electronics Oostkamp - Belgium	
NAME High current plug with PCB connection			
SIZE	CAGE CODE	DRAWING NO	RESTRICTED TO
A 4	00779	©=1-1393589-8	-
CUSTOMER DRAWING		SCALE	SHEET 1 OF 1 REV A
		6/1	