

| CONVERSION CHART |       |
|------------------|-------|
| INCH             | MM    |
| .002             | 0,05  |
| .012             | 0,30  |
| .022             | 0,56  |
| .028             | 0,71  |
| .039             | 0,99  |
| .059             | 1,50  |
| .079             | 2,00  |
| .098             | 2,49  |
| .100             | 2,54  |
| .134             | 3,40  |
| .138             | 3,51  |
| .193             | 4,90  |
| .217             | 5,51  |
| .236             | 6,00  |
| .295             | 7,50  |
| .315             | 8,00  |
| .374             | 9,50  |
| .394             | 10,01 |
| .709             | 18,01 |
| .748             | 19,00 |
| .866             | 22,00 |
| .945             | 24,00 |
| 1.000            | 25,40 |

| BCD COMPLEMENT CODE 137 |   |   |   |   |   |   |   |   |   |   |
|-------------------------|---|---|---|---|---|---|---|---|---|---|
| POS                     | 0 | 1 | 2 | 3 | 4 | 5 | 6 | 7 | 8 | 9 |
| C                       | x | x | x | x | x | x | x | x | x | x |
| 1                       | x |   |   |   |   |   |   |   |   |   |
| 2                       | x | x |   |   |   |   |   |   |   |   |
| 4                       | x | x | x |   |   |   |   |   |   |   |
| 8                       | x | x | x | x | x | x | x | x | x | x |

| BCD CODE 131 |   |   |   |   |   |   |   |   |   |   |
|--------------|---|---|---|---|---|---|---|---|---|---|
| POS          | 0 | 1 | 2 | 3 | 4 | 5 | 6 | 7 | 8 | 9 |
| C            | x | x | x | x | x | x | x | x | x | x |
| 1            |   | x |   |   |   |   |   |   |   |   |
| 2            |   |   | x |   |   |   |   |   |   |   |
| 4            |   |   |   | x |   |   |   |   |   |   |
| 8            |   |   |   |   | x |   |   |   |   |   |

| DECIMAL CODE 111 |   |   |   |   |   |   |   |   |   |   |
|------------------|---|---|---|---|---|---|---|---|---|---|
| POS              | 0 | 1 | 2 | 3 | 4 | 5 | 6 | 7 | 8 | 9 |
| C                | x | x | x | x | x | x | x | x | x | x |
| 0                | x |   |   |   |   |   |   |   |   |   |
| 1                |   | x |   |   |   |   |   |   |   |   |
| 2                |   |   | x |   |   |   |   |   |   |   |
| 3                |   |   |   | x |   |   |   |   |   |   |
| 4                |   |   |   |   | x |   |   |   |   |   |
| 5                |   |   |   |   |   | x |   |   |   |   |
| 6                |   |   |   |   |   |   | x |   |   |   |
| 7                |   |   |   |   |   |   |   | x |   |   |
| 8                |   |   |   |   |   |   |   |   | x |   |
| 9                |   |   |   |   |   |   |   |   |   | x |

| CHANGE OVER SWITCH CODE 400 |   |    |    |
|-----------------------------|---|----|----|
| POS                         | C | A+ | A- |
| +                           | x | x  |    |
| -                           | x |    | x  |
| +                           | x | x  |    |
| -                           | x |    | x  |
| +                           | x | x  |    |
| -                           | x |    | x  |
| +                           | x | x  |    |
| -                           | x |    | x  |
| +                           | x | x  |    |
| -                           | x |    | x  |

| HEXADEcimal CODE 301 |   |   |   |   |   |   |   |   |   |   |   |   |   |   |   |   |
|----------------------|---|---|---|---|---|---|---|---|---|---|---|---|---|---|---|---|
| POS                  | 0 | 1 | 2 | 3 | 4 | 5 | 6 | 7 | 8 | 9 | A | B | C | D | E | F |
| C                    | x | x | x | x | x | x | x | x | x | x | x | x | x | x | x | x |
| 1                    |   | x |   |   |   |   |   |   |   |   |   |   |   |   |   |   |
| 2                    |   |   | x |   |   |   |   |   |   |   |   |   |   |   |   |   |
| 4                    |   |   |   | x |   |   |   |   |   |   |   |   |   |   |   |   |
| 8                    |   |   |   |   | x |   |   |   |   |   |   |   |   |   |   |   |

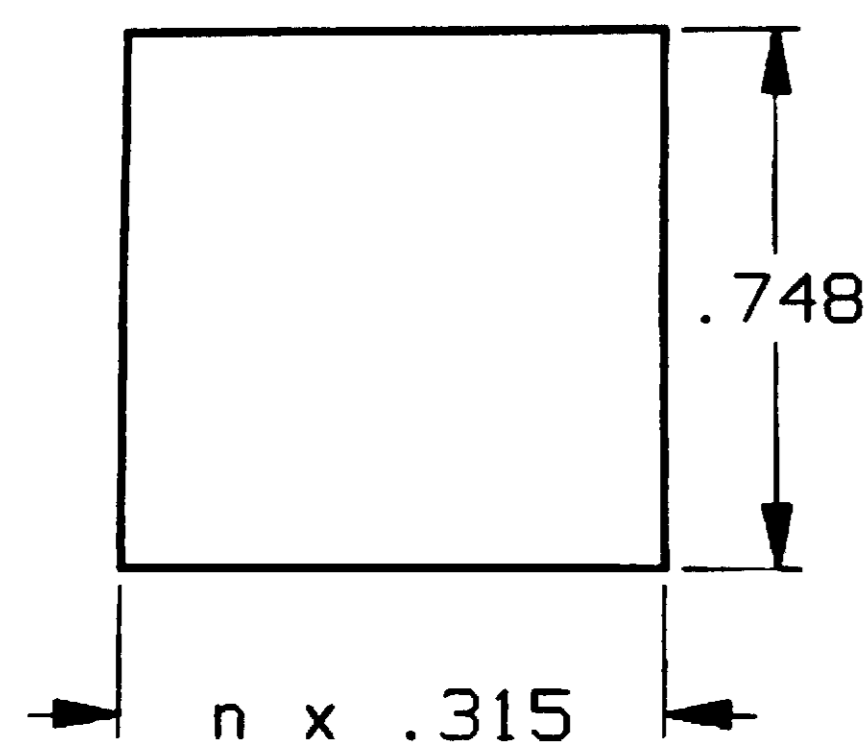
| MODEL NUMBER | CODE | DESCRIPTION   | CHAR.  |
|--------------|------|---|--------|
| DPS8111AK    | 111  | DECIMAL CODE (1 of 10)                              | 0-9    |
| DPS8131AK    | 131  | 1-2-4-8 BCD CODE                                    | 0-9    |
| DPS8131AL    | 131  | BCD, EXTENDED PCB FOR DIODES                        | 0-9    |
| DPS8137AK    | 137  | BCD, COMPLEMENT CODE                                | 0-9    |
| DPS8137AL    | 137  | BCD, COMPLEMENT, EXT. PCB FOR DIODE                 | 0-9    |
| DPS8400AK    | 400  | SPDT, REPEATING READOUT, 10 POS.                    | +8-    |
| DPS8131AKLS  | 131  | BCD CODE, PC PINS AT REAR                           | 0-9    |
| DPS8131AKULS | 131  | BCD CODE, RIGHT ANGLE PC PINS                       | 0-9    |
| DPS8137AKLS  | 137  | BCD COMPLEMENT CODE, PC PINS                        | 0-9    |
| DPS8137AKULS | 137  | BCD COMPLEMENT CODE, RIGHT ANGLE PC PINS            | 0-9    |
| DPS8301AK    | 301  | HEXIDEcimal CODE (16 POS.)                          | 0-9A-F |
| DPS8301AKLS  | 301  | HEXIDEcimal CODE (16 POS.) PC PINS                  | 0-9A-F |
| DPS8301AKULS | 301  | HEXIDEcimal CODE (16 POS.) RIGHT ANGLE PC PINS      | 0-9A-F |
| DPS8400AKLS  | 400  | SPDT, 10 POS. REPEATING READOUT                     | +8-    |
| DPS8400AKULS | 400  | SPDT, 10 POS. REPEATING READOUT RIGHT ANGLE PC PINS | +8-    |
| MODEL NUMBER | CODE | DESCRIPTION   | CHAR.  |

**SPECIFICATIONS:**

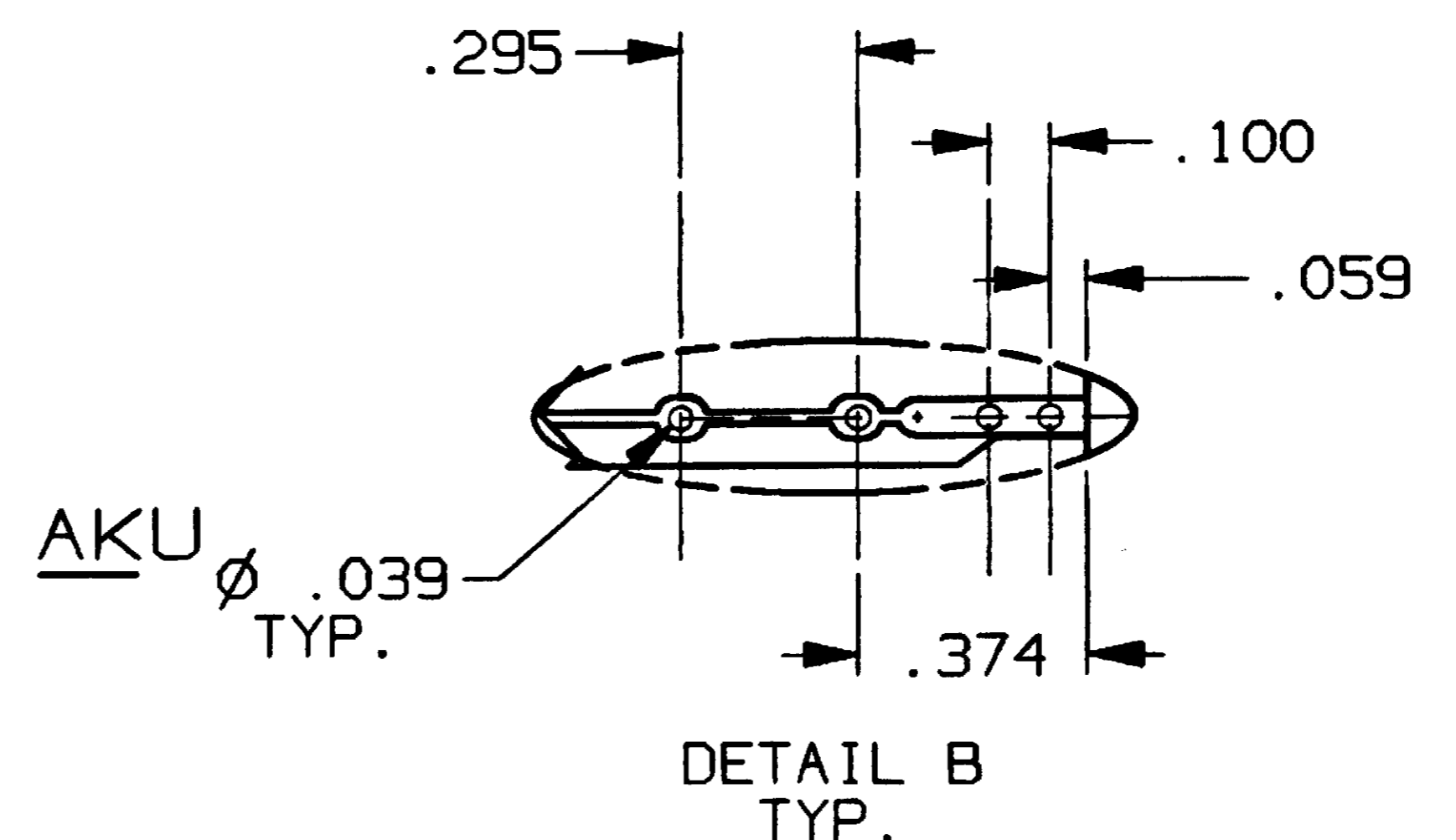
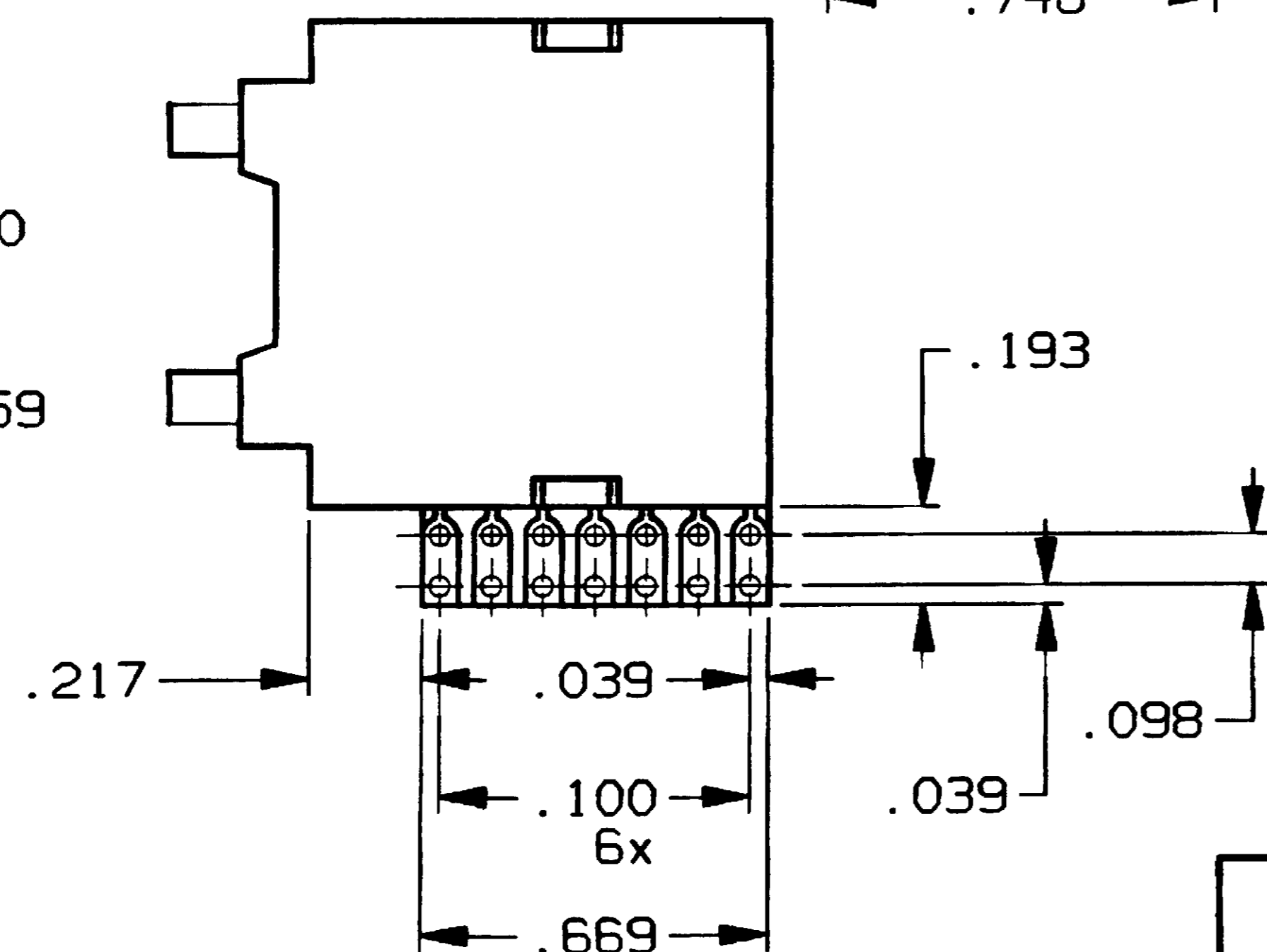
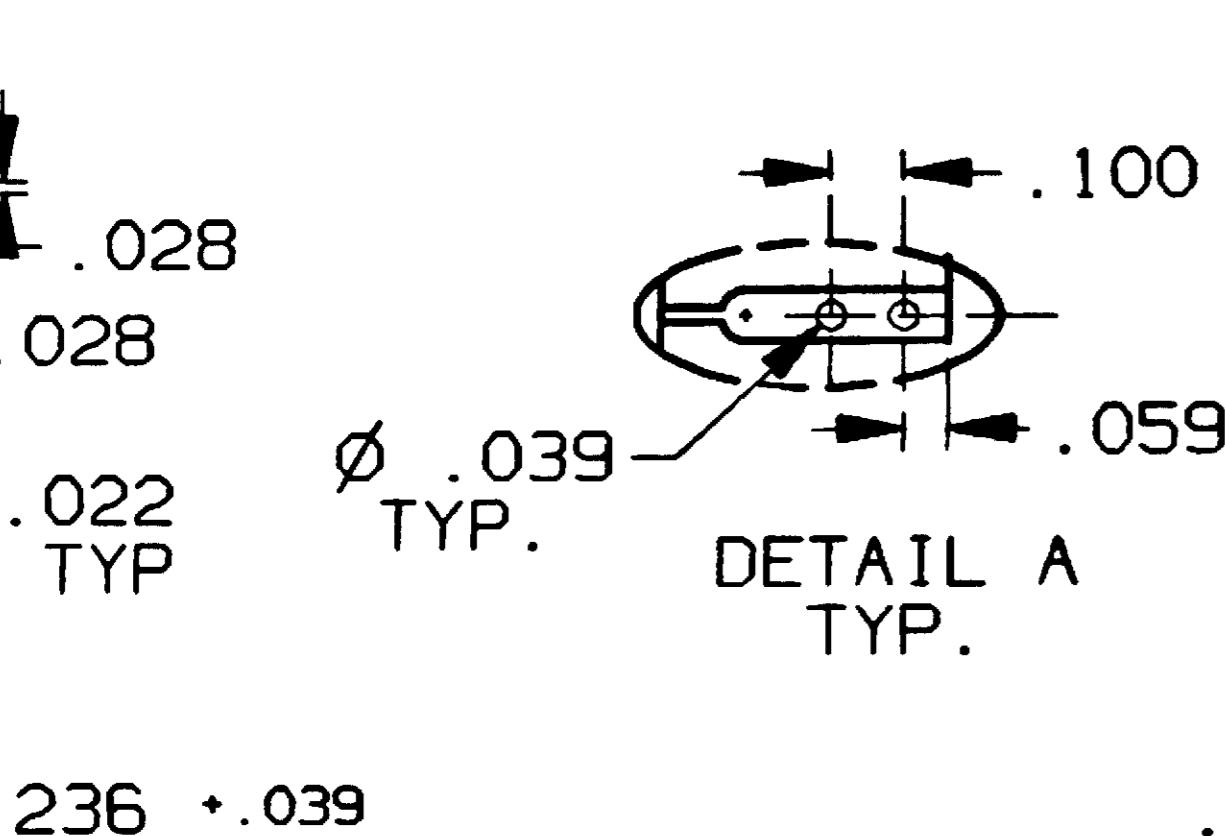
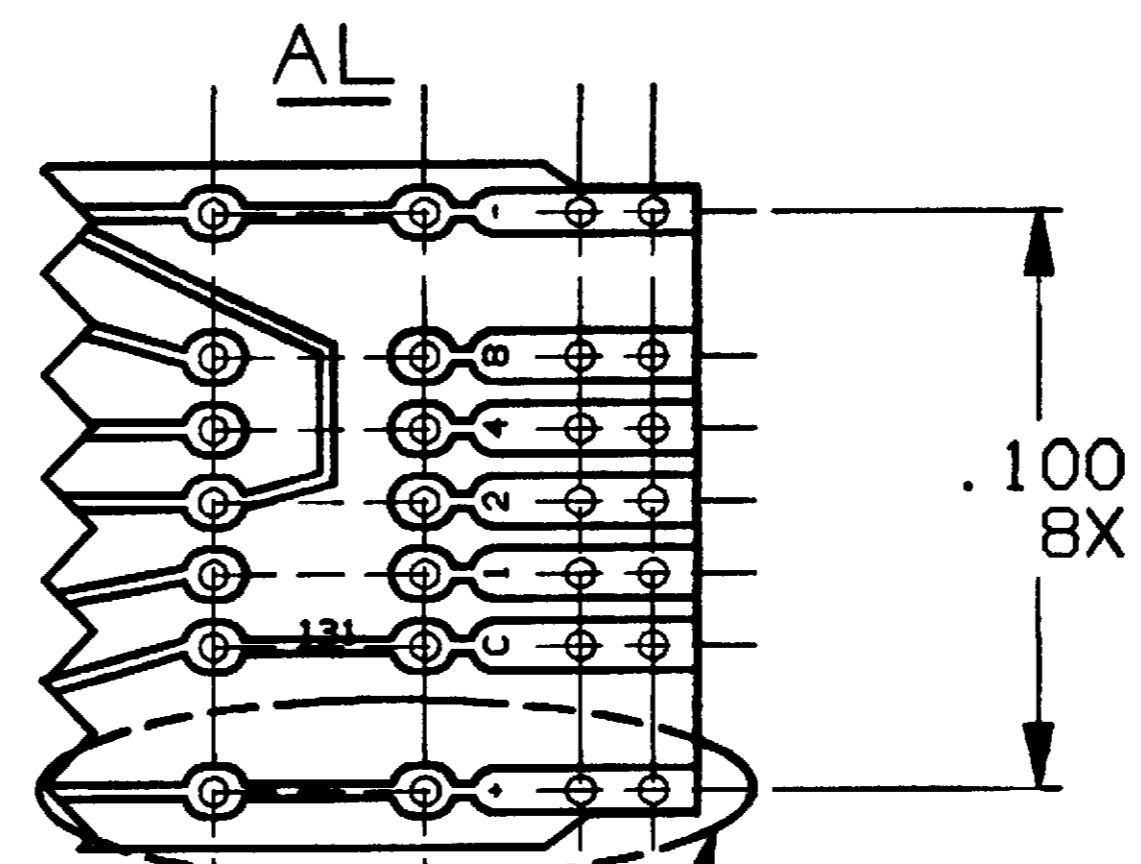
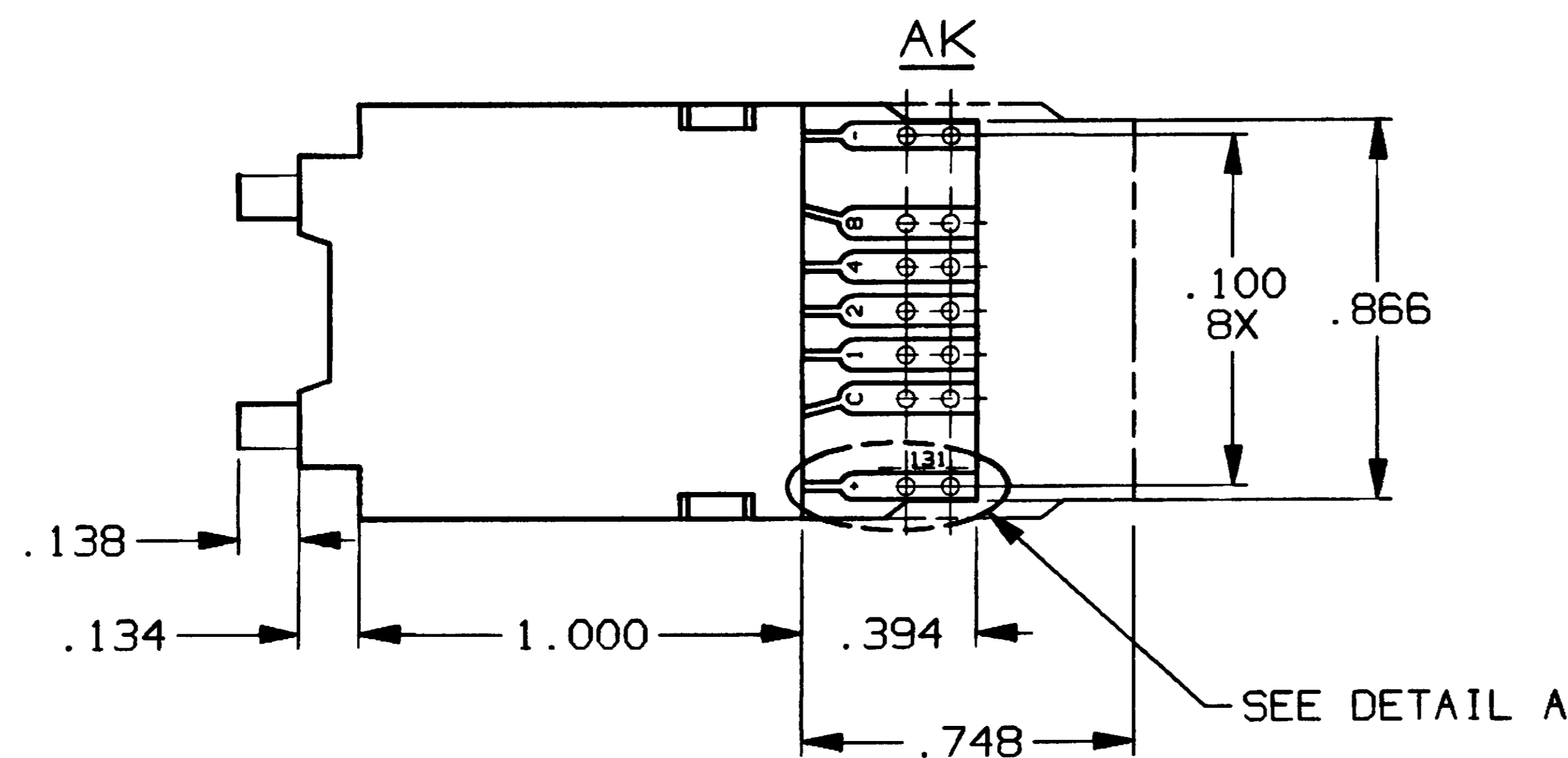
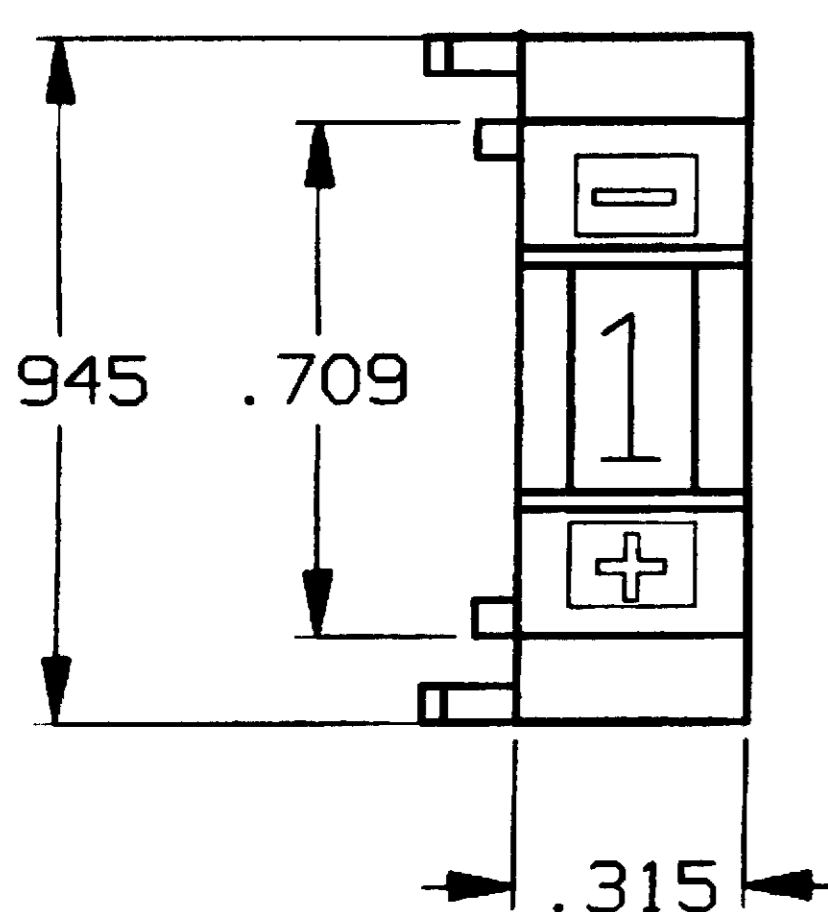
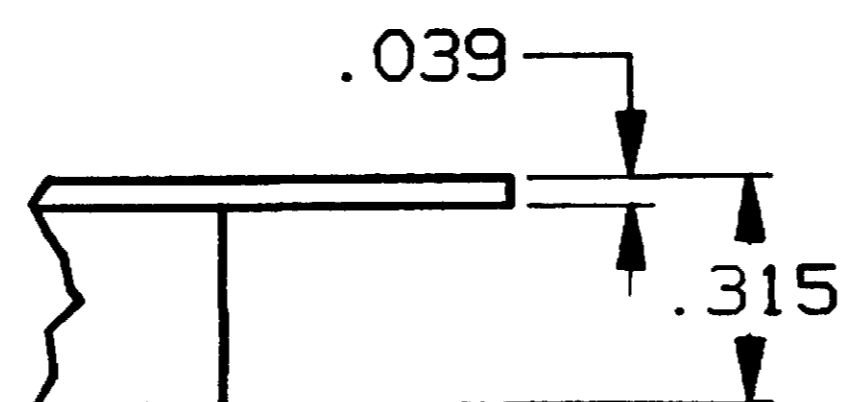
- MATERIALS:**  
CASE: PPO, BLACK MATTE FINISH.  
ACTUATOR BUTTONS: PPO, BLACK MATTE FINISH.  
WINDOW: THERMOPLASTIC RESIN.  
PCB: GLASS EPOXY TYPE, FR4  
MOVING CONTACT: COPPER ALLOY, GOLD PLATE OVER NICKEL.  
FIXED CONTACT: COPPER, GOLD PLATE OVER NICKEL.  
TERMINALS: COPPER, GOLD PLATE OVER NICKEL.
- ELECTRICAL:**  
CONTACT RATING: 0.4 VA @ 20 VDC OR PEAK AC.  
INITIAL CONTACT RESISTANCE: 0.15 OHMS MAX.  
LIFE EXPECTANCY: MORE THAN 10<sup>6</sup> OPERATIONS
- MECHANICAL:**  
ACTUATION FORCE: APPROX. 14 oz. (4 N)
- ENVIRONMENTAL:**  
OPERATING TEMPERATURE: -4°F TO +176°F (-20°C TO +80°C)

**NOTES:**

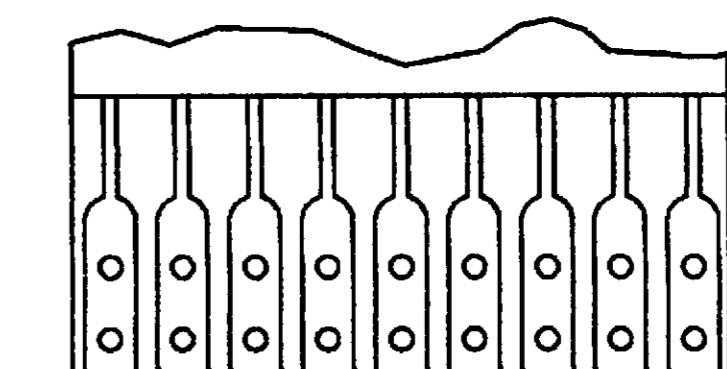
- INTERPRET DRAWING PER ASME Y14.5M-1994.
  - ASSEMBLED PARTS TO BE PACKAGED FOR SHIPMENT IN ITEMS ANTISTATIC TREATED TO MEET THE REQUIREMENTS OF AUGAT SPECIFICATION NO. SPEC 224.
  - CHARACTER COLOR: WHITE ON BLACK BACKGROUND. CHARACTER HEIGHT: 10/16 DIGIT, .193/.134.
- ⚠ OBSOLETE



n=NUMBER OF SWITCHES WITHOUT END PLATES  
**RECOMMENDED HOLE LAYOUT**  
TOLERANCE ±.002 UNLESS OTHERWISE NOTED



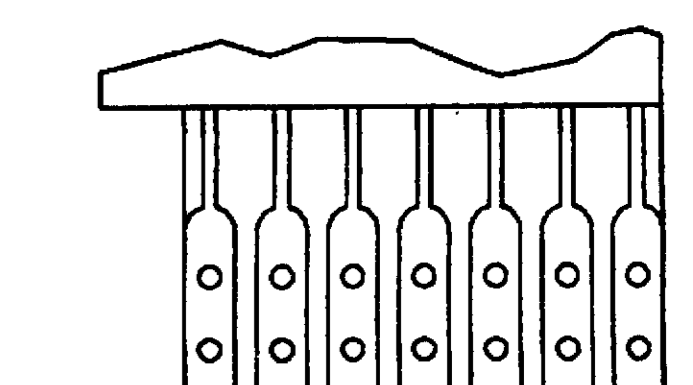
**MARKING DETAIL**



|      |   |   |   |   |   |   |
|------|---|---|---|---|---|---|
| 131+ | C | 1 | 2 | 4 | 8 | - |
| 137+ | C | 1 | 2 | 4 | 8 | - |
| 301+ | 1 | 2 | C | 8 | 4 | - |
| 400+ | C | A | A |   |   |   |

111 0 1 2 3 4 C 5 6 7 8 9 PITCH .079

**MARKING DETAIL**



|     |   |   |   |   |   |
|-----|---|---|---|---|---|
| 131 | C | 1 | 2 | 4 | 8 |
| 137 | C | 1 | 2 | 4 | 8 |
| 301 | C | 1 | 2 | 4 | 8 |
| 400 | C |   | + | - |   |

SOLDER PINS FOR PRINTED CIRCUITS (ORDER DESCRIPTION LS)

**OUTLINE DRAWING**  
SPECIFICATIONS ARE SUBJECT TO CHANGES WITHOUT NOTICE

|   |  |  |                                   |                                       |
|---|--|--|-----------------------------------|---------------------------------------|
| <br>THIRD ANGLE PROJECTION  | UNLESS OTHERWISE SPECIFIED DIMENSIONS ARE IN INCHES DO NOT SCALE PRINT |  | ORIGINAL DATE OF DRAWING: 3/25/81 |                                       |
|   | FILE NAME: 800230UT  | DIRECTORY: CODSWTCH                    | DRAWN: V.J. MARTIN                | DATE: 3/25/81                         |
| TOLERANCES (EXCEPT AS NOTED)<br>ANGULAR = ±1/2°<br>DECIMAL .XX =<br>DECIMAL .XXX = ±.012<br>DECIMAL .XXXX = |  | MATERIAL: SEE SPECIFICATIONS ABOVE     |                                   | CHECKED: B. BUCKHEIT<br>DATE: 3/26/81 |
| FINISH: SEE SPECIFICATIONS ABOVE  |  | APPROVED: D. SARKISIAN<br>DATE: 1/7/93 |                                   | DATE: 3/26/81                         |
|   |  | CODE IDENT. NO. 91506                  | DWG. SIZE C                       |                                       |
|   |  | NEXT ASSY:                             |                                   |                                       |

**TE** TE Connectivity

TITLE: **OUTLINE DRAWING**  
CODE SWITCH  
DUAL PUSHBUTTON  
DPS-8 SERIES

DWG. NO. **C-1-1437603-1** REV. B

PRODUCT CODE: H13  
SCALE: 2/1 SHEET 1 OF 1

| REV | DESCRIPTION               | DATE      | DWN | APR |
|-----|---------------------------|-----------|-----|-----|
| B   | REVISED PER ECO-14-002228 | 15MAY2014 | NK  | RH  |