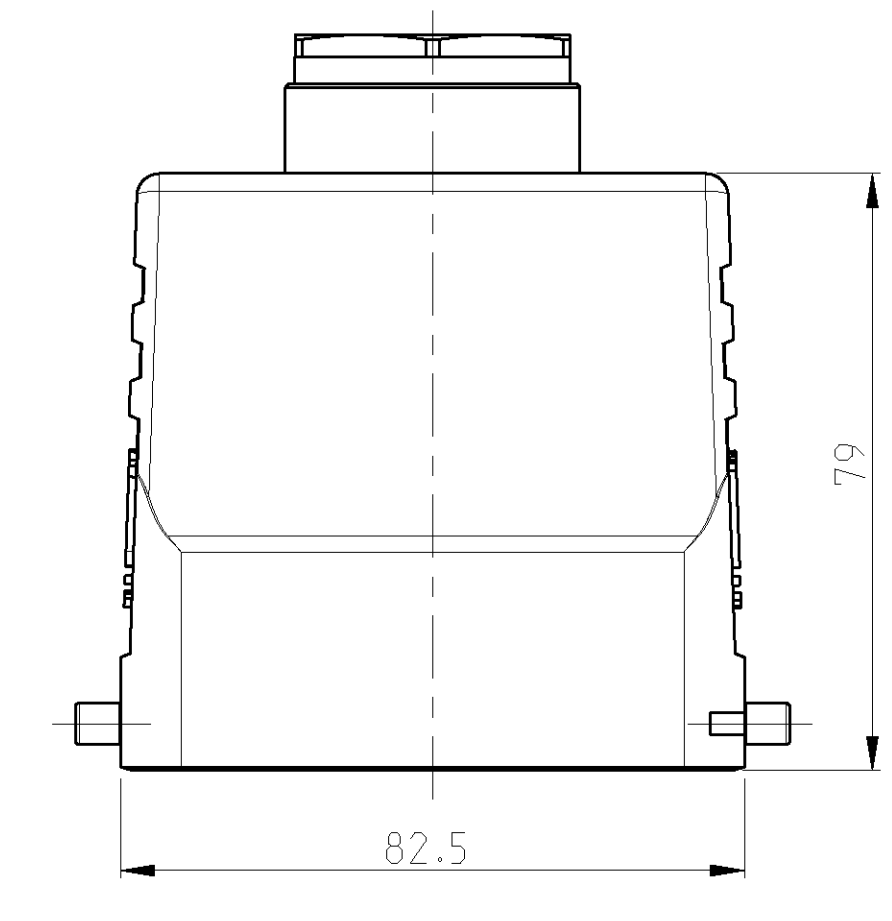
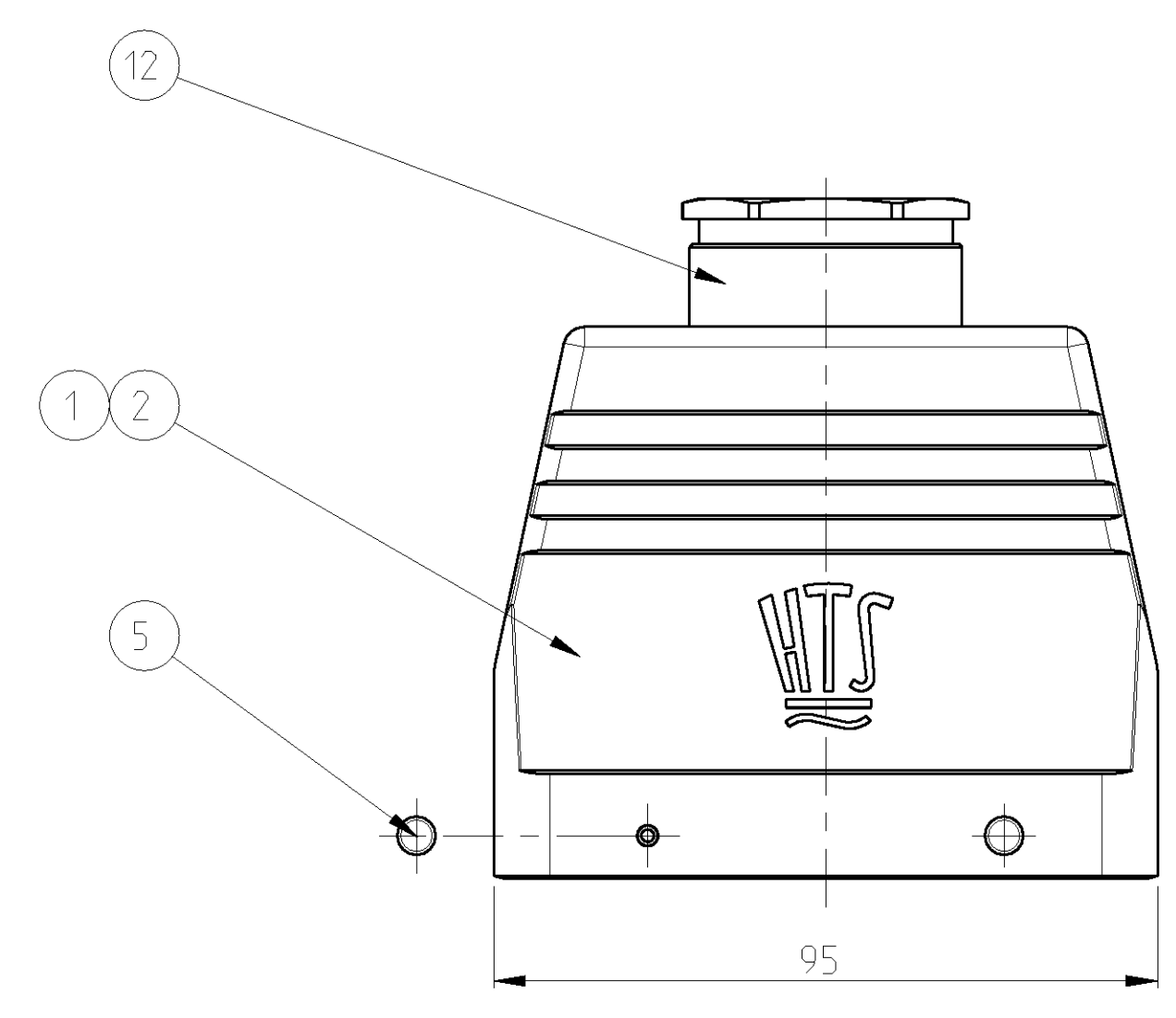
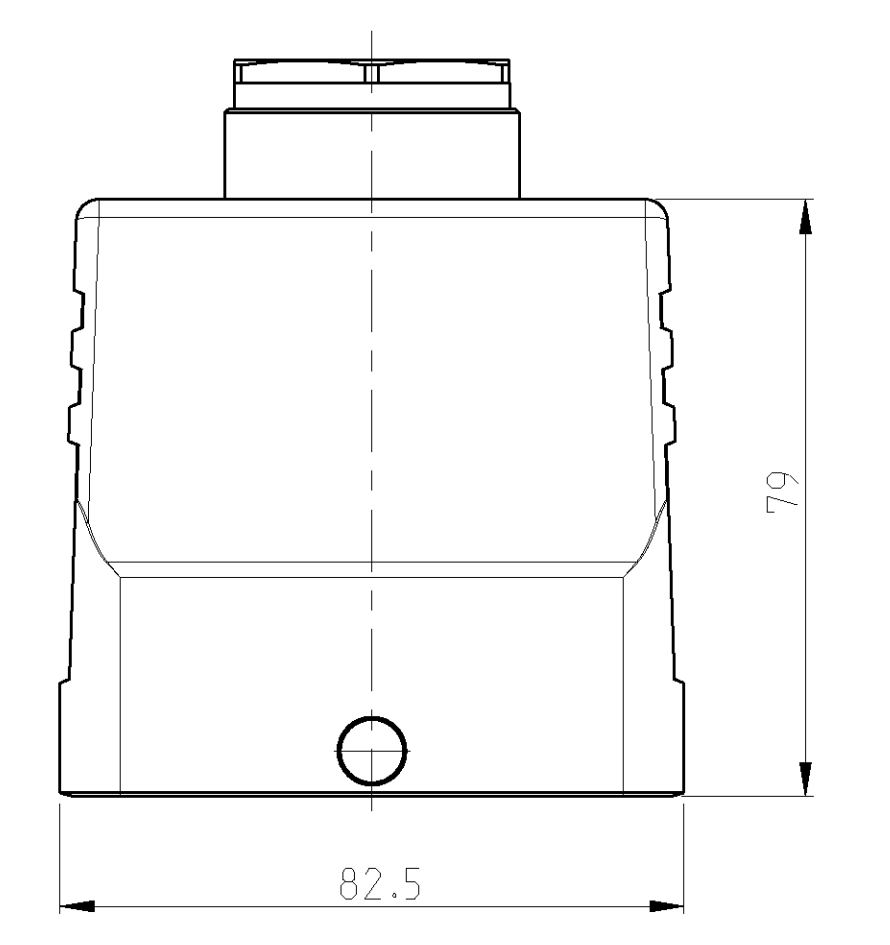
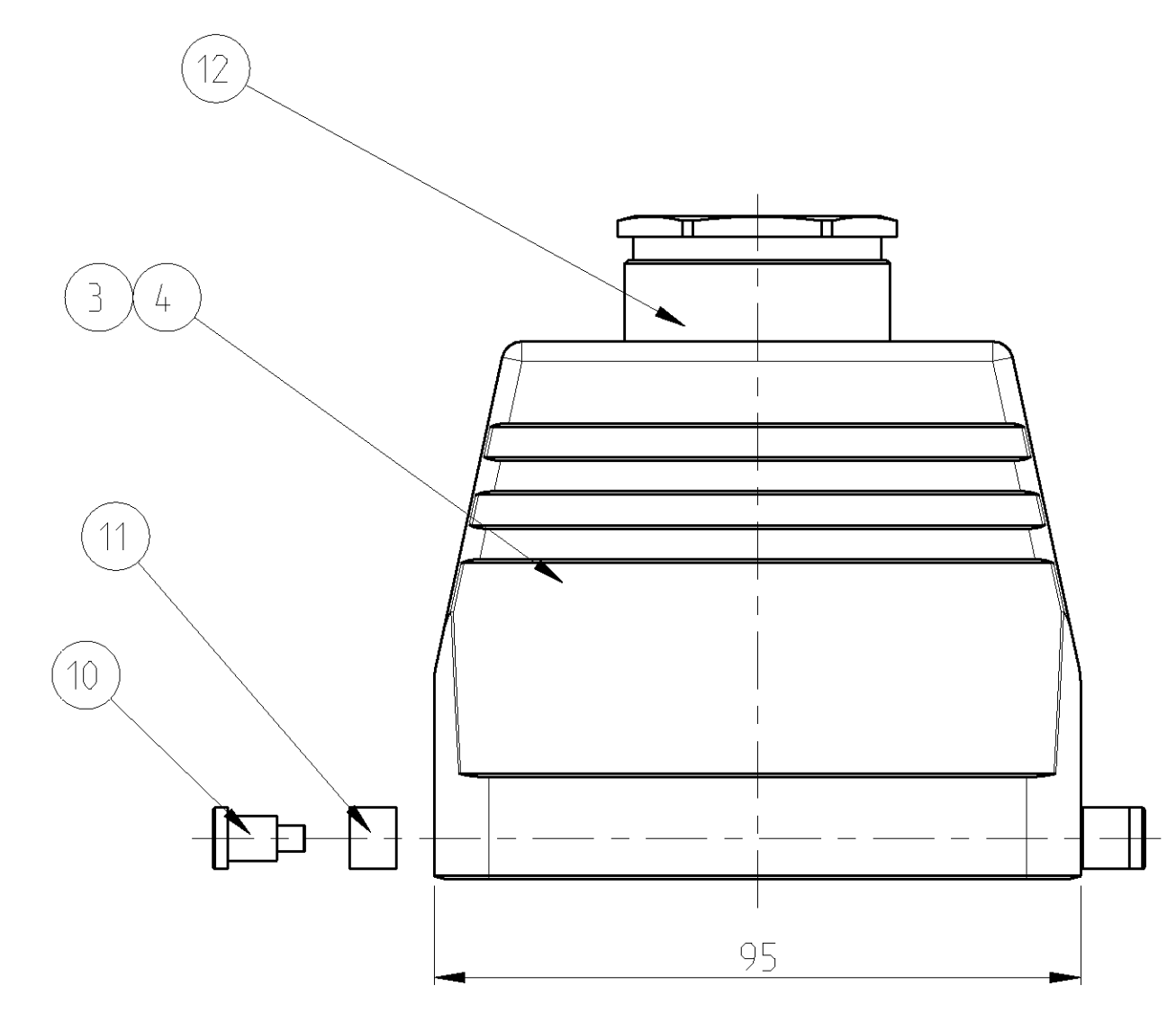
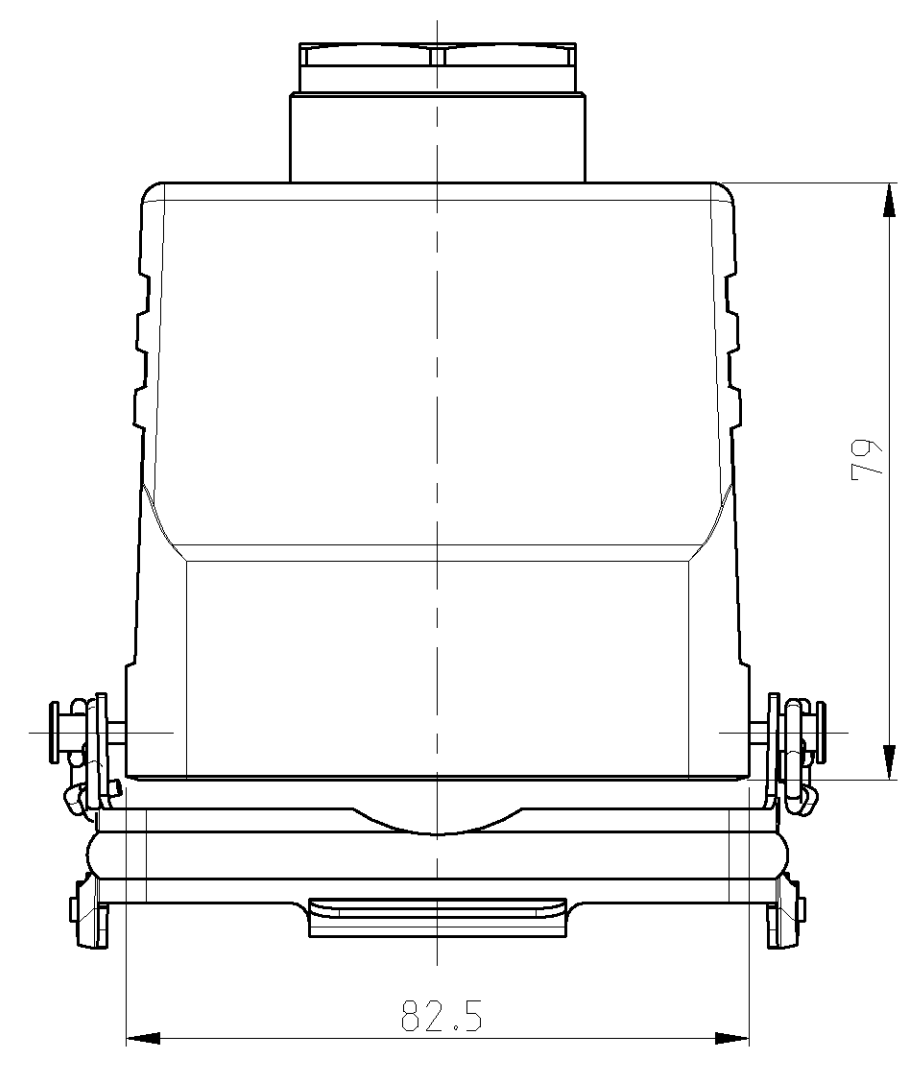
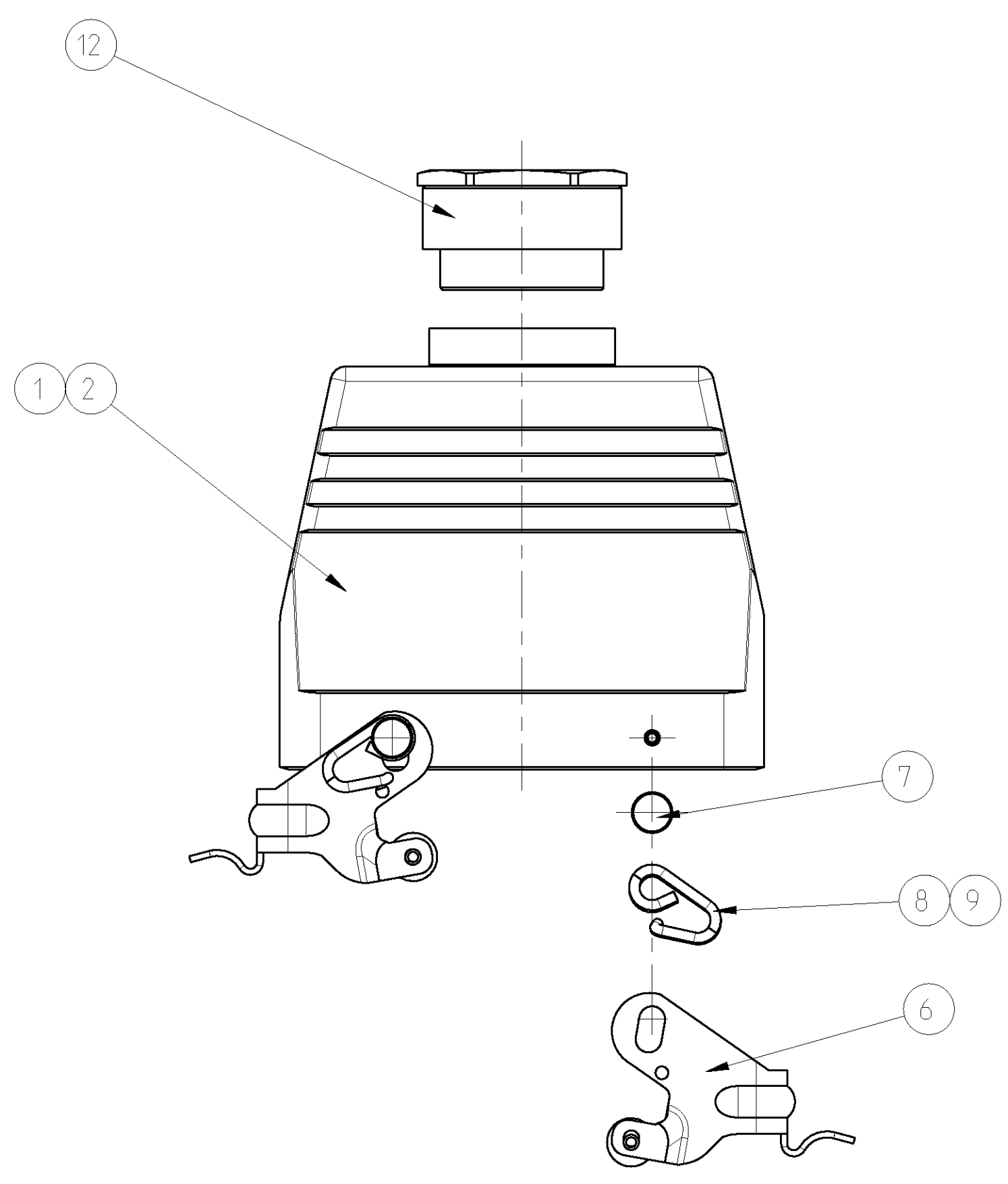


LOC	DIST	REV	DATE	BY	CHK	APPV
A1	-	A3	11MAY2009	SR	AR	
		A4	28NOV09	KK	AEG	



- NOTES
- PART SHALL BE FREE AND CLEAN OF BURRS AND OTHER FOREIGN MATERIAL
 - PACKAGING: QUANTITY 3 PIECES
 - VARNISHING INSIDE HOUSING NOT REQUIRED

QTY	QTY	QTY	QTY	QTY	QTY	DESCRIPTION	MATERIAL	SURFACE	COLORE	ITEM	NOTES
1	1	1	1	1	1	CABLE FITTING	BRASS	NICKEL PLATED	BLUE	12	
2	2					SLIDE SPOOL	STEEL	ZINC PLATED	BLUE	11	
2	2					CLIP BOLT	STEEL	ZINC PLATED	BLUE	10	
	2	2				CLIP SPRING RIGHT	STEEL	ZINC PLATED	BLUE	9	
	2	2				CLIP SPRING LEFT	STEEL	ZINC PLATED	BLUE	8	
	4	4				CLIP POSITIONER	STEEL	ZINC PLATED	BLUE	7	
	2	2				SLIDE CLIP	STEEL	ZINC PLATED	BLUE	6	
			4	4		CLIP BOLT	STEEL	ZINC PLATED	BLUE	5	
1						HOOD	ALUMINIUM		GREY	4	
1	1					HOOD	ALUMINIUM		GREY	3	
	1	1				HOOD	ALUMINIUM		GREY	2	
		1	1			HOOD	ALUMINIUM		GREY	1	
0-2	1-7	0-3	1-1	0-1	1-6	DESCRIPTION	MATERIAL	SURFACE	COLORE	ITEM	NOTES
						HB.32.STO.1.29					
						HB.32.STO.1.29					
						HB.32.STO-VS.1.29					
						HB.32.STO-VS.1.29					
						HB.32.STO-GR.1.29					
						HB.32.STO-GR.1.29					

THIS IS SUBJECT TO CHANGE WITHOUT NOTICE. THE USER SHALL BE RESPONSIBLE FOR VERIFYING THE DIMENSIONS AND TOLERANCES OF THE PARTS TO BE USED IN THE ASSEMBLY.

DIMENSIONS: mm
 TOLERANCES UNLESS OTHERWISE SPECIFIED:
 0 PLC ±
 1 PLC ±
 2 PLC ±
 3 PLC ±
 4 PLC ±
 ANGLES ±
 FINISH

DRAWN: R. SCHNEIDER
 CHK: T. SCHNURPEIL
 DATE: 11MAY2009
 NAME: HOOD
 PRODUCT SPEC: HB.32.STO.1.29
 APPLICATION SPEC: -
 WEIGHT: -
 CUSTOMER DRAW ING

APVD: -
 NAME: HOOD
 PRODUCT SPEC: HB.32.STO.1.29
 APPLICATION SPEC: -
 WEIGHT: -
 CUSTOMER DRAW ING

Tyco Electronics AMP GmbH
 53757 Sankt Augustin (Germany)

SIZE: A1
 CAGE CODE: 00779
 DRAWING NO: 1102349
 SCALE: 1:1
 SHEET: 1 OF 1
 REV: A4