

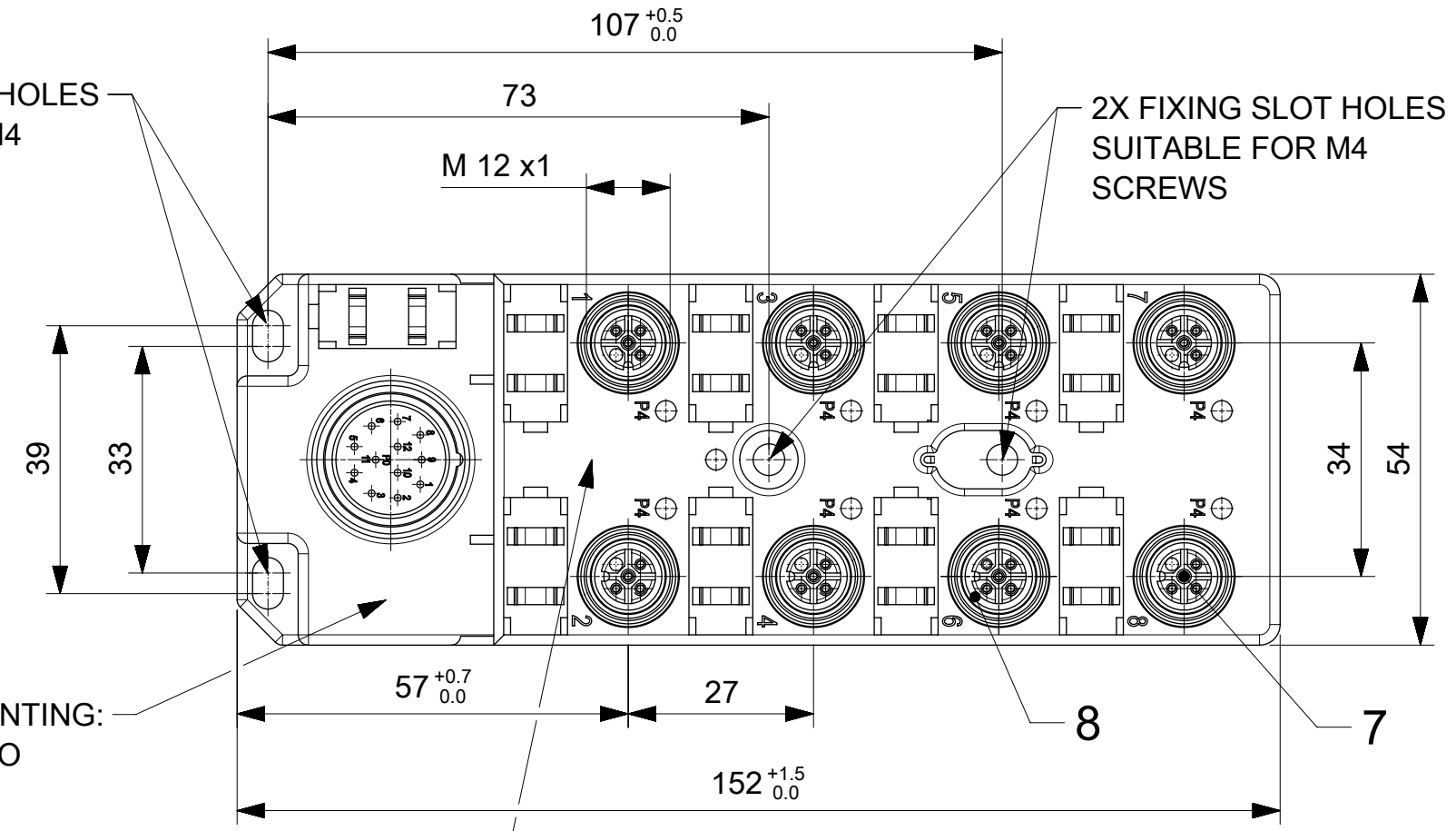
TABLE 1

MOLEX P/N	ENG. NO.	LED
1202480059	BTB8010-FBC	NO
1202480060	BTB801P-FBC	YES
1202480130	BTB801N-FBC	YES

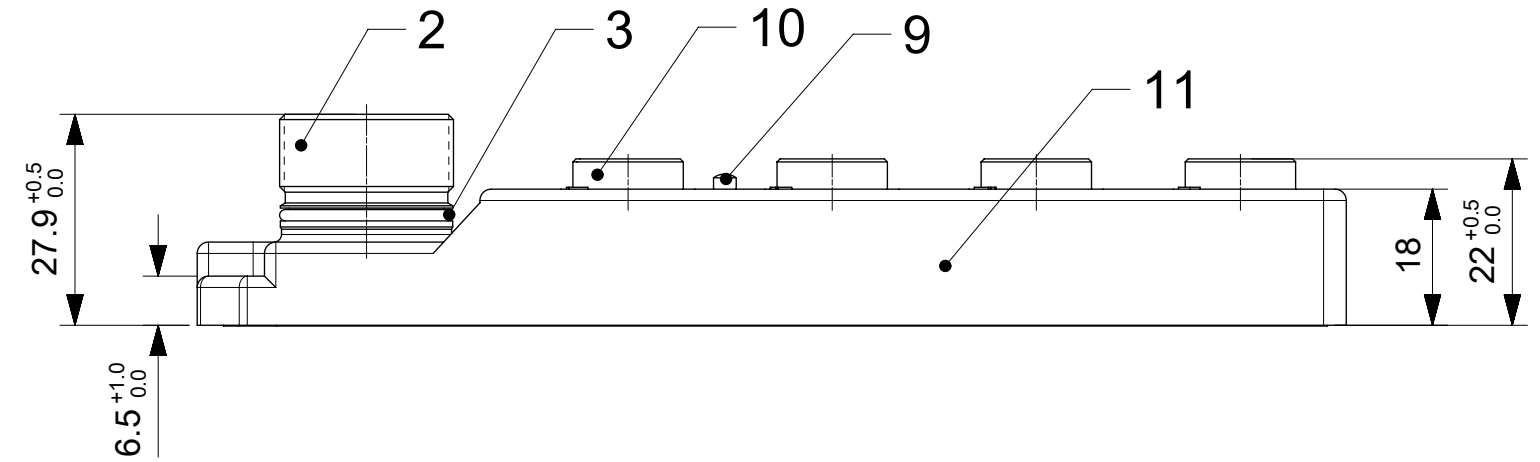
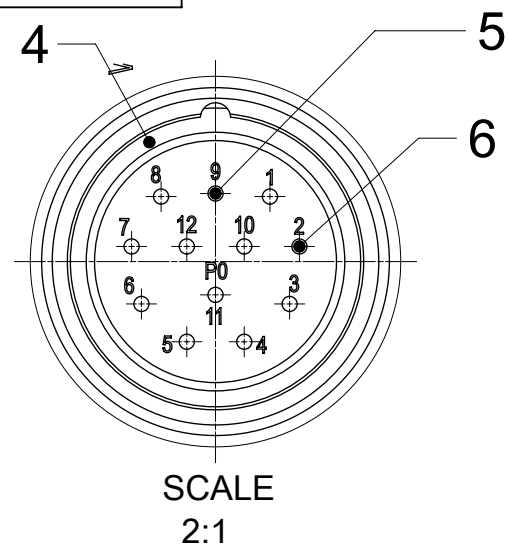
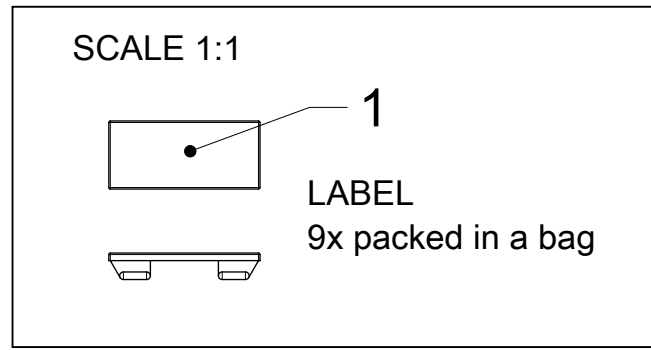
TABLE 2 BILL OF MATERIAL

ITEM	DESCRIPTION	MATERIAL	FINISH
1	LABEL	ABS	WHITE
2	SHELL	BRASS	NICKEL PLATED
3	O-RING	NBR	BLACK
4	O-RING	NBR	BLACK
5	CONTACT	BRASS	GOLD OVER NICKEL
6	CONTACT	BRASS	GOLD OVER NICKEL
7	CONTACT	BRONZE	GOLD OVER NICKEL
8	O-RING	FPM	RED
9	LED	NO LED = PA	BLACK
		WITH LED = PA	TRANSPARENT
10	SHELL	BRASS	NICKEL PLATED
11	HOUSING	PBT	BLACK

2X FIXING SLOT HOLES  
SUITABLE FOR M4  
SCREWS



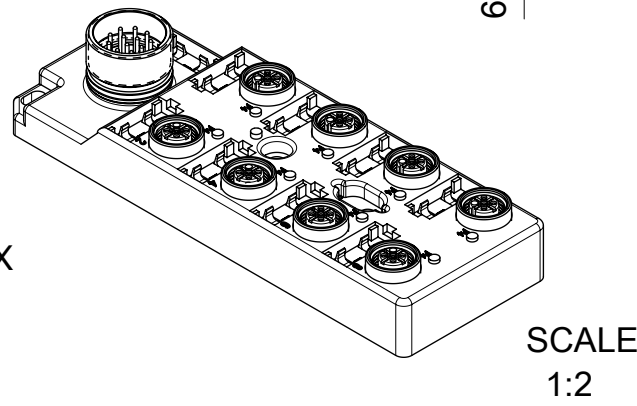
LASER PRINTING:  
PN: 120248XXXX  
ENG.: BTB801X-FBC  
PO: XXXXXXXXX



GENERAL CHARACTERISTICS:

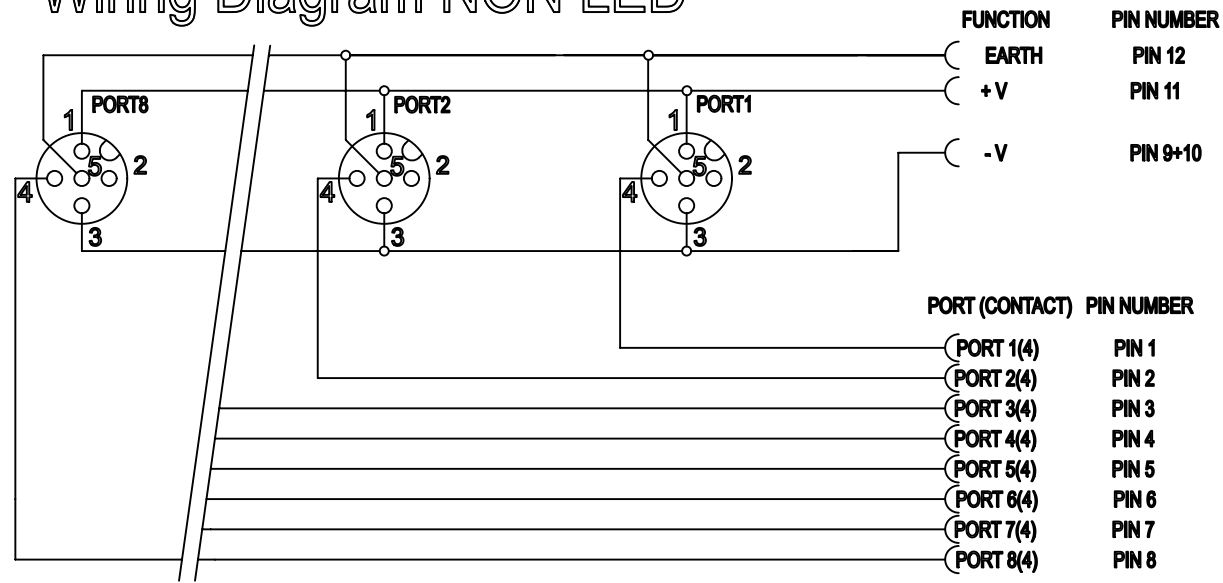
ELECTRICAL AND MECHANICAL DATA ACC. TO IEC 61076-2-101

NOMINAL VOLTAGE: 10-30 V DC  
 AMPERE RATING: 4 A PER PORT / 12 A MAX  
 AMPERE RATING WITH UL REGISTRATION: 3 A PER PORT / 9 A MAX  
 IP DEGREE OF PROTECTION: IP 67  
 TEMPERATURE RANGE: -25°C to + 85°C

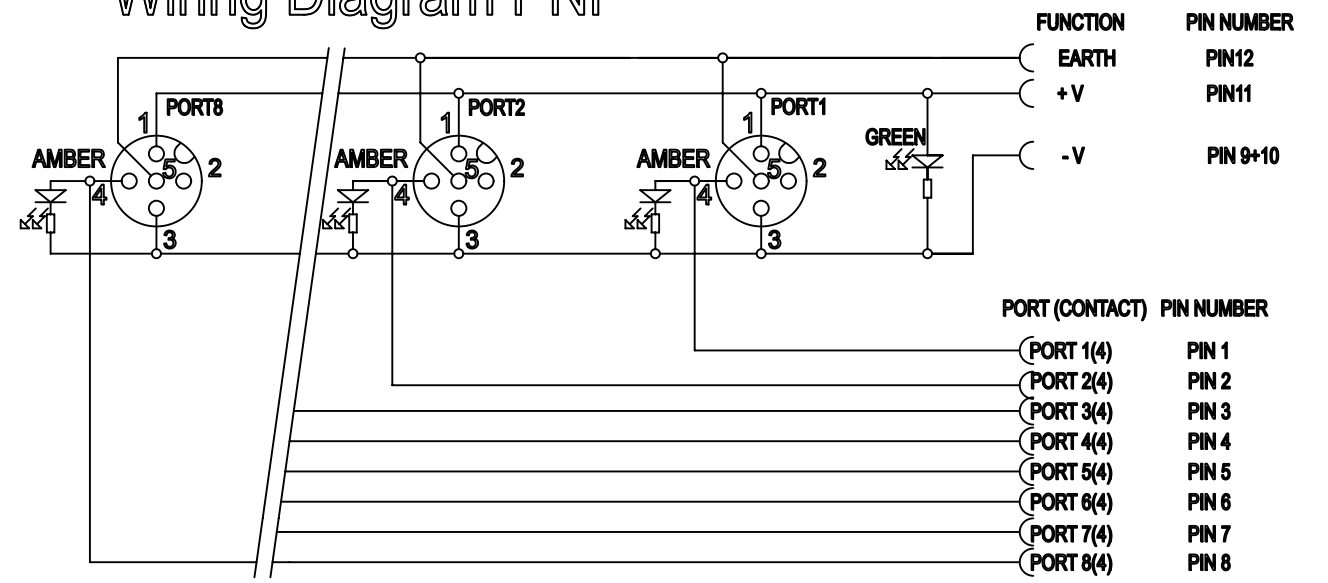


SYMBOLS		THIS DRAWING CONTAINS INFORMATION THAT IS PROPRIETARY TO MOLEX ELECTRONIC TECHNOLOGIES, LLC AND SHOULD NOT BE USED WITHOUT WRITTEN PERMISSION	
DIMENSION UNITS	SCALE	CURRENT REV DESC: LASER PRINT UPDATE	
mm	1:1		
GENERAL TOLERANCES (UNLESS SPECIFIED)			
ANGULAR TOL	± °		
4 PLACES	±	EC NO: 606042	2018/08/30
3 PLACES	±	DRWN: SSM	2018/10/18
2 PLACES	±	CHK'D: RSILLER	2018/10/18
1 PLACE	±	APPR: RSILLER	2018/10/18
0 PLACES	± 0.25	INITIAL REVISION:	
DRAFT WHERE APPLICABLE MUST REMAIN WITHIN DIMENSIONS		DRWN: AAHLERS	2015/04/02
		APPR: RSILLER	2015/05/20
THIRD ANGLE PROJECTION		DRAWING	SERIES
		A3-SIZE	120248
		MATERIAL NUMBER	CUSTOMER
		1202480059	GENERAL MARKET
		DOCUMENT NUMBER	DOC TYPE DOC PART REVISION
		1202480059	PSD 000 B
		SHEET NUMBER	1 OF 2

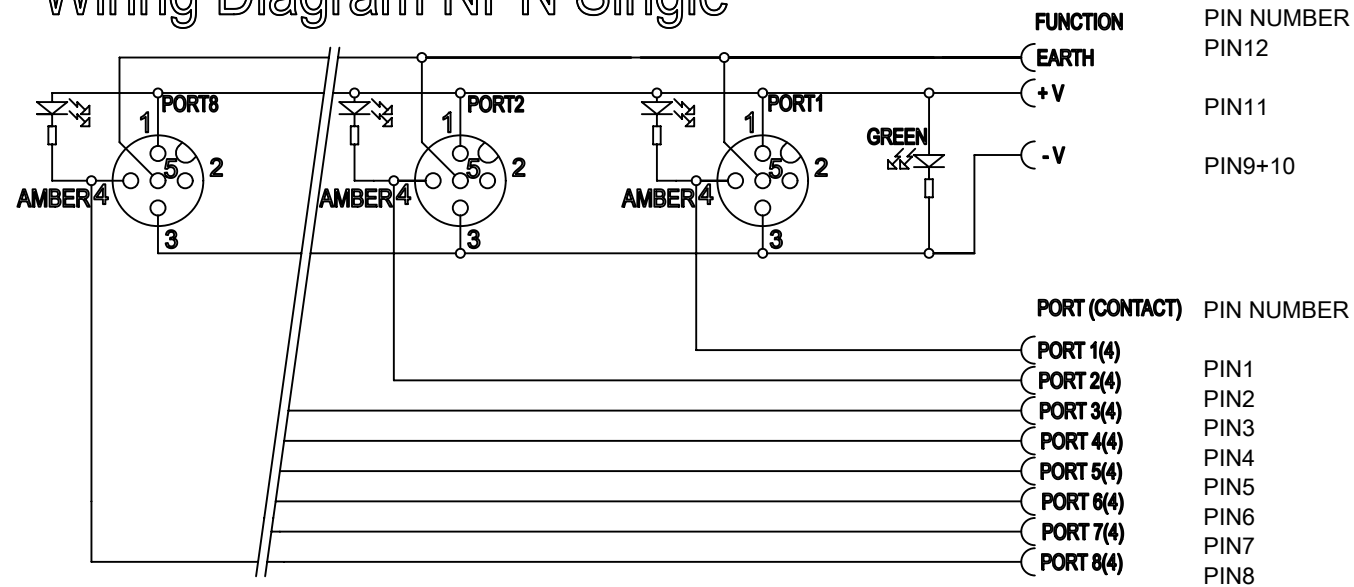
### Wiring Diagram NON LED



### Wiring Diagram PNP



### Wiring Diagram NPN Single



SYMBOLS	THIS DRAWING CONTAINS INFORMATION THAT IS PROPRIETARY TO MOLEX ELECTRONIC TECHNOLOGIES, LLC AND SHOULD NOT BE USED WITHOUT WRITTEN PERMISSION		CURRENT REV DESC: LASER PRINT UPDATE		
	DIMENSION UNITS	SCALE			
▽ = 0	mm	1:1			
▽ = 0	GENERAL TOLERANCES (UNLESS SPECIFIED)				
▽ = 0	ANGULAR TOL	±			
▽ = 0	4 PLACES	±			
▽ = 0	3 PLACES	±			
▽ = 0	2 PLACES	±			
▽ = 0	1 PLACE	±			
▽ = 0	0 PLACES	± 0.25			
■ = 0	DRAFT WHERE APPLICABLE MUST REMAIN WITHIN DIMENSIONS				
▽ = 0			THIRD ANGLE PROJECTION	DRAWING	SERIES
				A3-SIZE	120248
			MATERIAL NUMBER		CUSTOMER
			SEE TABLE 1		GENERAL MARKET
			DOCUMENT NUMBER		DOC TYPE   DOC PART   REVISION
			1202480059		PSD   000   B
			SHEET NUMBER		2 OF 2