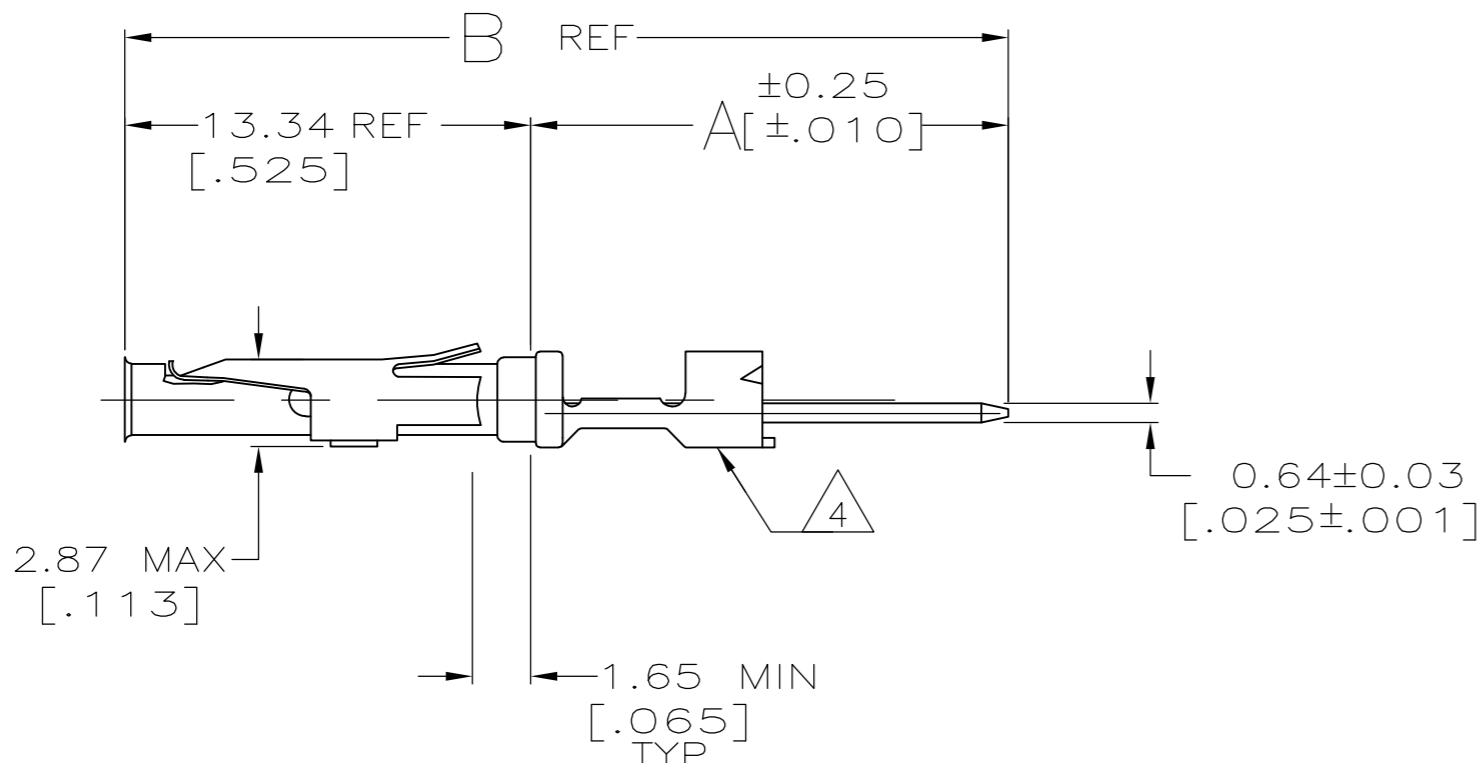
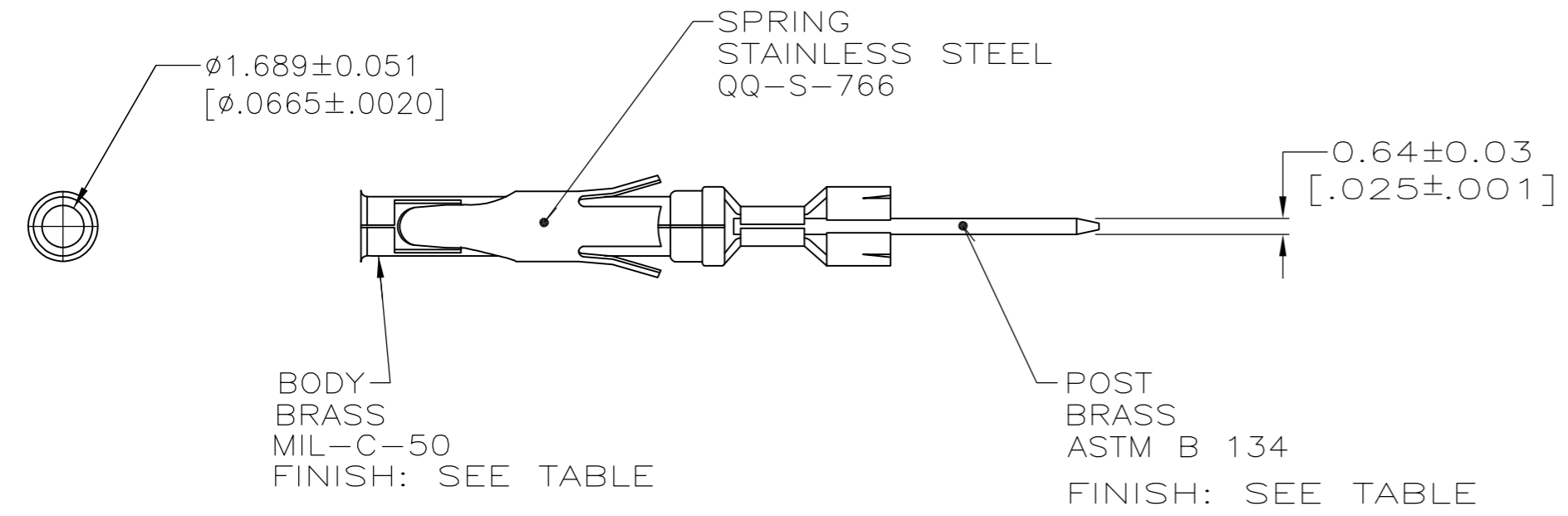


THIS DRAWING IS UNPUBLISHED. RELEASED FOR PUBLICATION  
 © COPYRIGHT - By - ALL RIGHTS RESERVED.

REVISIONS					
P	LTR	DESCRIPTION	DATE	DWN	APVD
AV6		REVISED PER ECO-16-004223	19JUL2016	NK	MZ
AW		REVISED PER ECO-16-017462	08MAR2017	RS	MZ



- 1 2.54um [.000100] MIN TIN-LEAD PER MIL-T-10727 OVER  
1.27um [.000050] MIN NICKEL PER QQ-N-290.
- 2 2.76um [.000030] MIN GOLD PER MIL-G-45204 ON MATING END FOR A LENGTH OF 5.08 [.200] MIN WITH A UNIFORM GRADIENT TO 0.25um [.000010] MIN GOLD PER MIL-G-45204 ON THE REMAINDER OVER 1.27um [.000050] MIN NICKEL PER QQ-N-290.
- 3 2.54um [.000100] MIN TIN-LEAD PER MIL-T-10727 OVER  
1.27um [.000050] MIN NICKEL PER QQ-N-290.
- 4 GOLD PLATING NEED NOT APPEAR ON WIRE BARREL.
- 5 0.76um [.000030] MIN GOLD PER MIL-G-45204 ON MATING END FOR A LENGTH OF 5.08 [.200] MIN, GOLD FLASH ON THE REMAINDER OVER 1.27um [.000050] MIN NICKEL PER QQ-N-290.
- 6 .000100 MIN TIN PER MIL-T-10727, OVER  
.000050 MIN NICKEL PER QQ-N-290.
- 7 .000030 MIN GOLD PER MIL-G-45204, OVER  
.000050 MIN NICKEL PER QQ-N-290.
- 8 OBSOLETE PARTS: OBSOLETE CIS STREAMLINING PER D.RENAUD/D.SINISI

	B	A	NO OF TERM	POST FINISH	BODY FINISH	PART NUMBER
PRELIMINARY	34.44 [1.356]	21.11 [.831]	2	7	6	5-66461-7
	29.13 [1.147]	15.80 [.622]	1	6	2	5-66461-6
	29.13 [1.147]	15.80 [.622]	1	6	5	5-66461-5
	29.13 [1.147]	15.80 [.622]	1	6	6	5-66461-4
PRELIMINARY	34.44 [1.356]	21.11 [.831]	2	3	1	5-66461-3
OBSOLETE	49.40 [1.945]	36.07 [1.420]	SPECIAL	3	5	<del>5-66461-1</del>
8 OBSOLETE	30.68 [1.208]	17.35 [.683]	SPECIAL	3	1	<del>2-66461-2</del>
8 SUPERSEDED	34.44 [1.356]	21.11 [.831]	2	3	1	<del>2-66461-1</del>
OBSOLETE	41.48 [1.633]	28.14 [1.108]	SPECIAL	3	5	<del>2-66461-0</del>
	30.68 [1.208]	17.35 [.683]	SPECIAL	3	1	1-66461-9
OBSOLETE	29.64 [1.167]	16.31 [.642]	SPECIAL	3	5	<del>1-66461-8</del>
OBSOLETE	27.97 [1.101]	14.63 [.576]	SPECIAL	3	5	<del>1-66461-7</del>
OBSOLETE	25.68 [1.011]	12.34 [.486]	SPECIAL	3	5	<del>1-66461-3</del>
	43.46 [1.711]	30.12 [1.186]	SPECIAL	3	5	<del>1-66461-0</del>
	39.24 [1.545]	25.91 [1.020]	3	3	5	66461-9
	34.44 [1.356]	21.11 [.831]	2	3	5	66461-8
	29.13 [1.147]	15.80 [.622]	1	3	5	66461-7
	39.24 [1.545]	25.91 [1.020]	3	3	2	66461-6
	34.44 [1.356]	21.11 [.831]	2	3	2	66461-5
	29.13 [1.147]	15.80 [.622]	1	3	2	66461-4
	39.24 [1.545]	25.91 [1.020]	3	3	1	66461-3
	34.44 [1.356]	21.11 [.831]	2	3	1	66461-2
	29.13 [1.147]	15.80 [.622]	1	3	1	66461-1

THIS DRAWING IS A CONTROLLED DOCUMENT.

DWN C.OBERMAN 07/02/92  
 CHK R.STONE 7-8-92  
 APVD C.OBERMANN 7-10-92

TE Connectivity

NAME SOCKET CONTACT, CRIMPED  
 .062 DIA, .025 X .025 POST,  
 AUTOWIRE

SIZE A2 CAGE CODE 00779 DRAWING NO C-66461 RESTRICTED TO -

MATERIAL SEE CALLOUT FINISH SEE CALLOUT WEIGHT - SCALE 4:1 SHEET 1 OF 2 REV AW

CUSTOMER DRAWING

THIS DRAWING IS UNPUBLISHED. RELEASED FOR PUBLICATION  
 © COPYRIGHT - By - ALL RIGHTS RESERVED.

REVISIONS					
P	LTR	DESCRIPTION	DATE	DWN	APVD
-	-	SEE SHEET 1	-	-	-
-	-	SEE TABLE 1	-	-	-

	B	A	NO OF TERM	POST FINISH	BODY FINISH	PART NUMBER
OBSOLETE	49.40 [1.945]	36.07 [1.420]	SPECIAL	△6	△5	<del>9-66461-9</del>
	30.68 [1.208]	17.35 [.683]	SPECIAL	△6	△6	7-66461-0
△8 OBSOLETE	30.68 [1.208]	17.35 [.683]	SPECIAL	△6	△6	<del>6-66461-5</del>
	41.48 [1.633]	28.14 [1.108]	SPECIAL	△6	△5	6-66461-4
	39.24 [1.545]	25.91 [1.020]	3	△6	△5	6-66461-3
	34.44 [1.356]	21.11 [.831]	2	△6	△5	6-66461-2
△8 OBSOLETE	39.24 [1.545]	25.91 [1.020]	3	△6	△2	<del>6-66461-1</del>
	34.44 [1.356]	21.11 [.831]	2	△6	△2	<del>6-66461-0</del>
	39.24 [1.545]	25.91 [1.020]	3	△6	△6	5-66461-9
	34.44 [1.356]	21.11 [.831]	2	△6	△6	5-66461-8

THIS DRAWING IS A CONTROLLED DOCUMENT.		DWN C.OBERMAN 07/02/92	<b>STE</b> TE Connectivity														
DIMENSIONS: INCHES		CHK R.STONE 7-8-92															
TOLERANCES UNLESS OTHERWISE SPECIFIED:		APVD C.OBERMANN 7-10-92	NAME SOCKET CONTACT, CRIMPED .062 DIA, .025 X .025 POST, AUTOWIRE														
<table border="0"> <tr><td>0 PLC</td><td>± -</td></tr> <tr><td>1 PLC</td><td>± -</td></tr> <tr><td>2 PLC</td><td>± 0.13 [.005]</td></tr> <tr><td>3 PLC</td><td>± -</td></tr> <tr><td>4 PLC</td><td>± -</td></tr> <tr><td>ANGLES</td><td>± -</td></tr> </table>		0 PLC	± -	1 PLC	± -	2 PLC	± 0.13 [.005]	3 PLC	± -	4 PLC	± -	ANGLES	± -	PRODUCT SPEC -	SIZE A2	CAGE CODE 00779	DRAWING NO C-66461
0 PLC	± -																
1 PLC	± -																
2 PLC	± 0.13 [.005]																
3 PLC	± -																
4 PLC	± -																
ANGLES	± -																
MATERIAL SEE CALLOUT		FINISH SEE CALLOUT	WEIGHT -	SCALE 4:1	SHEET 2 of 2												
CUSTOMER DRAWING			RESTRICTED TO -	REV AW													