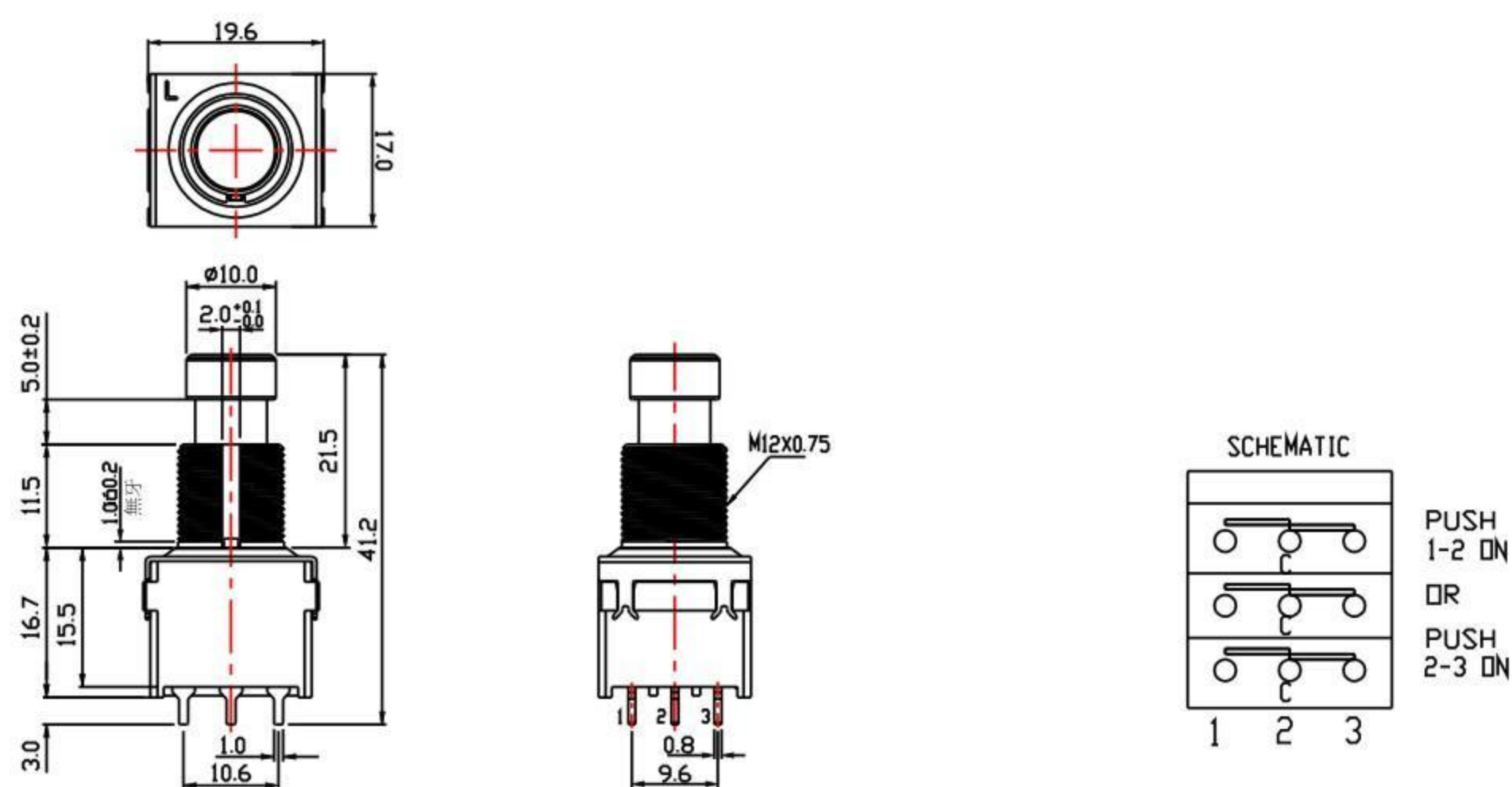
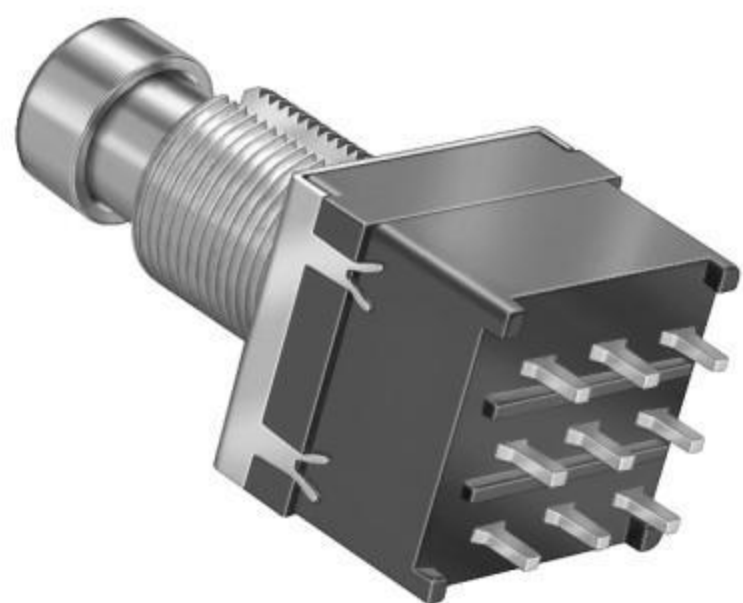


# FOOT SWITCH

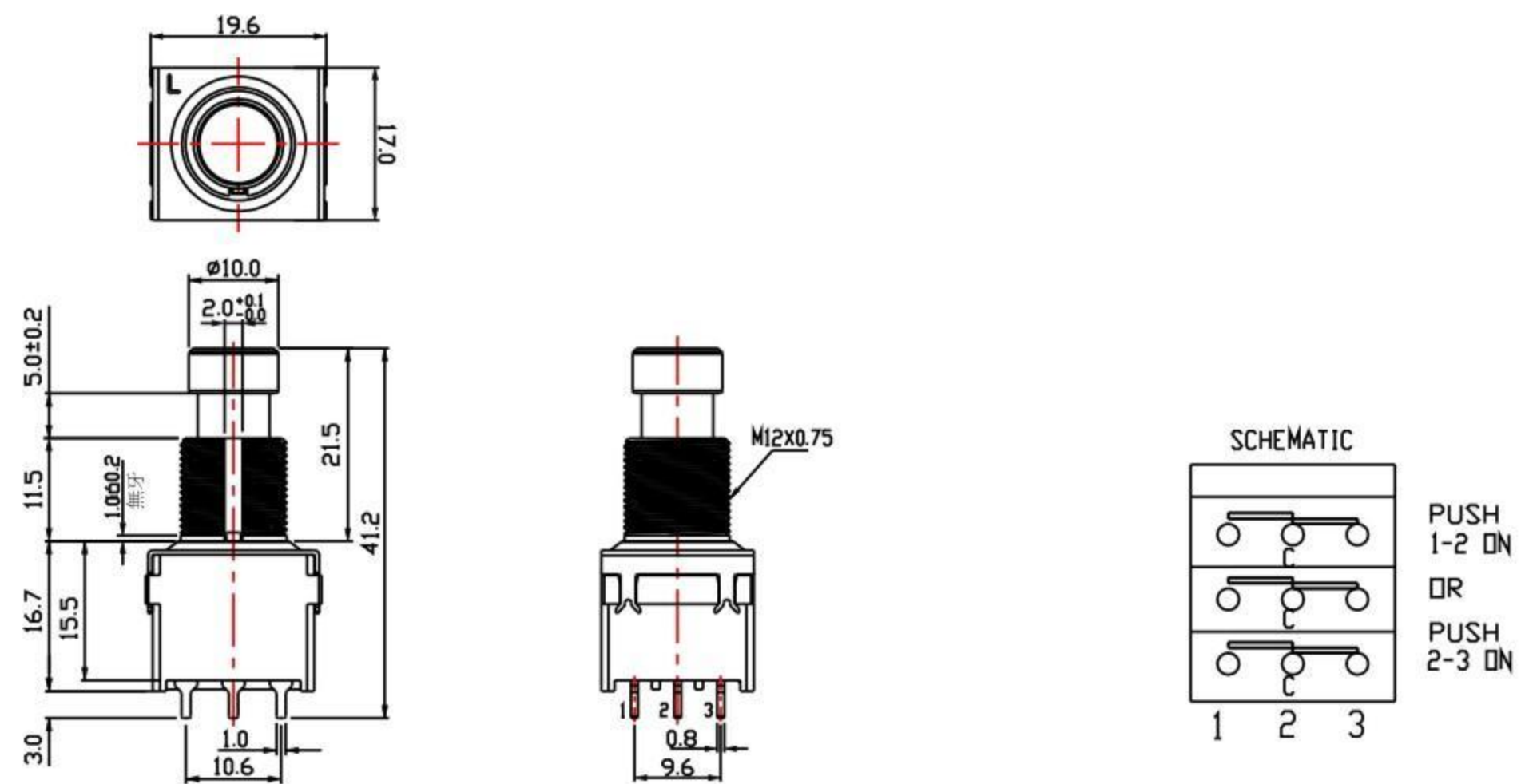
## SPECIFICATION

Rating:	DC9V; 1A
Contact Resistance:	Initial: <math><30\text{ m}\Omega</math>, after test: <math><100\text{ m}\Omega</math>
Insulation Resistance:	Initial: >100 m $\Omega$ , after humidity test: >50 m $\Omega$
Withstand Voltage:	500V AC (50-60 Hz, 2 mA)-1minute
Operating Force:	Initial: $3.0 \pm 0.8$ kgf, after durability test: $3.0 \pm 1.0$ kgf
Life Cycle:	30,000 cycles
Size(mm):	As following drawings

### SF17010F-0302-21R-L



### SF17020F-0302-21R-L



## SPECIFICATION

Operating Force:	$650 \pm 200$ gf.cm
Life Cycle:	20,000 cycles
Size(mm) :	As following drawings

### SF12030F

