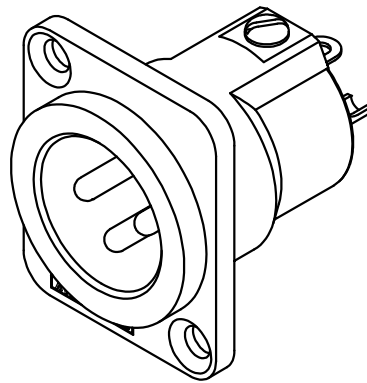


PANEL CUT OUT



ISO VIEW

AC*MDZ	INSERT No.
AC3MDZ	156-4066-*00
AC3MMDZ	156-4068-*00
AC4MDZ	156-4069-*00
AC5MDZ	156-4070-*00
AC6AMDZ	156-4071-*00
AC7MDZ	156-4072-*00

3	UPDATE TO AMPHENOL TITLE BLOCK & LOGO ADD SHEET 2 OF 2 FOR CUSTOMER DRAWING	L.V	02-10-01	7869
2	UPDATE TO AMPHENOL TITLE BLOCK & LOGO INCLUDE THE CONNECTOR ASSEMBLY VIEW	L.V	01-11-00	7661
0	FIRST ISSUE	R.D.	22-09-95	----
REV.	CHANGE DETAILS	BY	DATE	CHG/No

UNLESS OTHERWISE SPECIFIED TOLERANCE TO BE		THIS DOCUMENT IS THE PROPERTY OF AMPHENOL AUSTRALIA PTY. LTD.. NO PART THEREOF MAY BE REPRODUCED AND USED WITHOUT THE PRIOR WRITTEN CONSENT OF THE OWNER				CAD FILE: 00819103		DRN: R.D.	DATE: 22-09-95	TITLE: AC*MDZ PANEL MOUNT CUSTOMER DRAWING		<b>Amphenol</b>	
LINEAR	ANGULAR	X ± 1		X' ± 1'		MATERIAL: REFER TO COMPONENT		CKD: M.N.H	DATE: 24-10-01	DRAWING NO. 128459-0000		SHEET 2 OF 2	
BREAK ALL SHARP EDGES AND REMOVE ALL BURRS		X.X ± 0.5		X'X' ± 30'		FINISH: REFER TO COMPONENT		APP'D: P.M	DATE: 29-10-01	PART No: 128459-0000		SIZE: A3	
DO NOT SCALE		X.XX ± 0.10		X'X'X' ± 15'		DIMENSIONS IN MILLIMETRES		THIRD ANGLE PROJECTION	SCALE: 2:1 UOS	DRAWING NO. 128459-0000		SHEET 2 OF 2	