

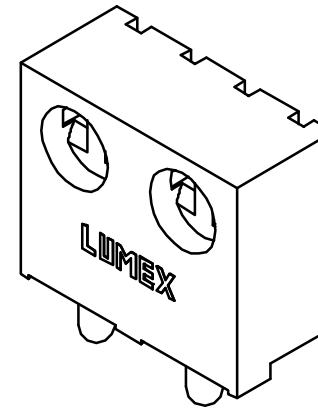
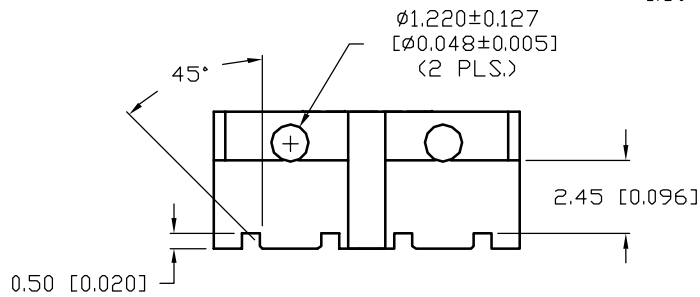
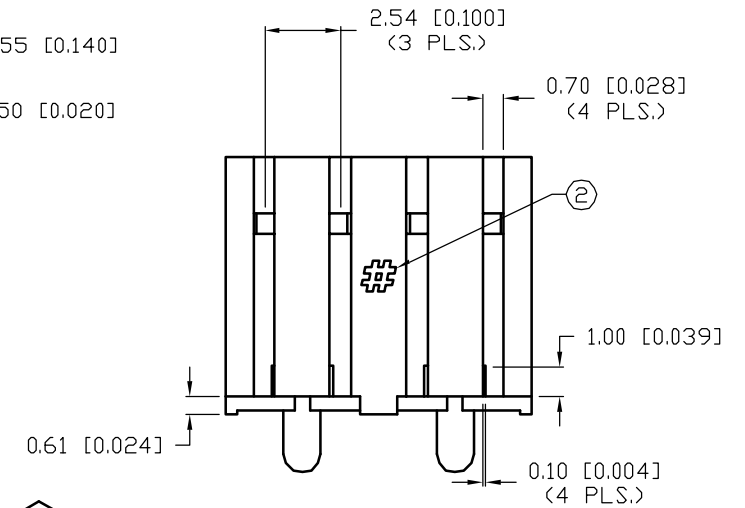
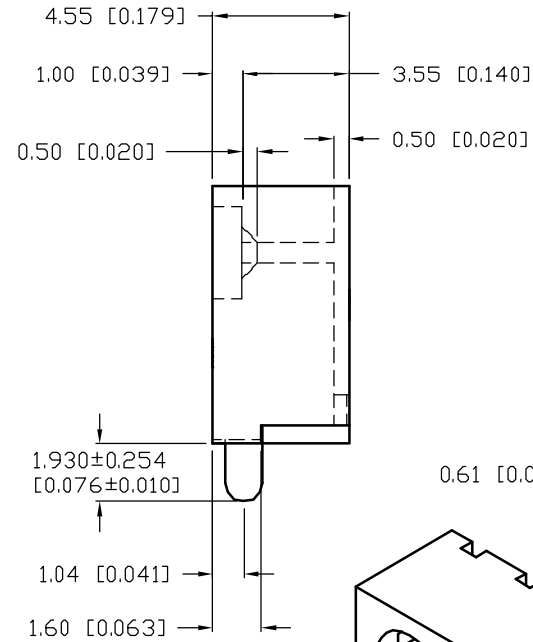
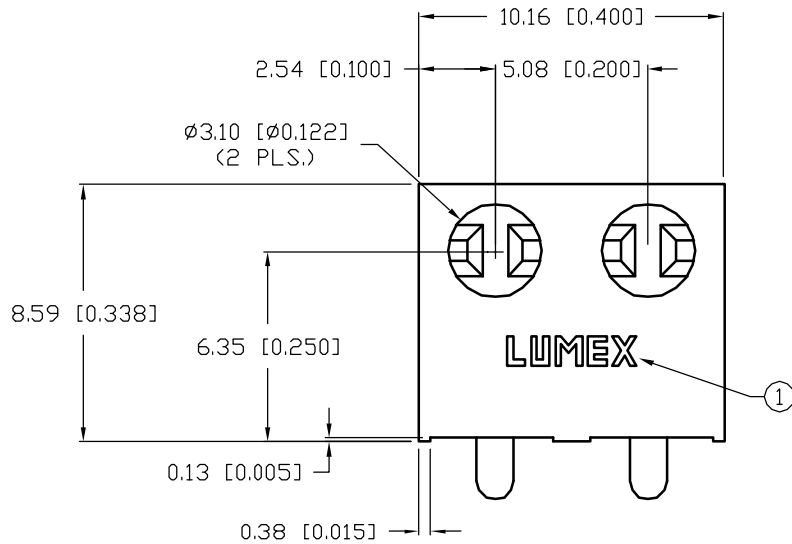
UNCONTROLLED DOCUMENT

PART NUMBER
SSH-LXH3250

REV.

REV. E.C.N. NUMBER AND REVISION COMMENTS

DATE



NOTES:

1. LUMEX NAME ON FRONT.
2. MOLD CAVITY MARK ON BACK.
3. MATERIAL: RYTON, BLACK POLYPHENYLENE.

UNCONTROLLED DOCUMENT

*UNLESS OTHERWISE SPECIFIED TOLERANCE IS $\pm 0.25\text{mm}$ ($\pm 0.010''$)

REV.

PART NUMBER
SSH-LXH3250

CONFIDENTIAL INFORMATION
 THE INFORMATION CONTAINED IN THIS DOCUMENT IS THE PROPERTY OF LUMEX INC. EXCEPT AS SPECIFICALLY AUTHORIZED IN WRITING BY LUMEX INC., THE HOLDER OF THIS DOCUMENT SHALL KEEP ALL INFORMATION CONTAINED HEREIN CONFIDENTIAL AND SHALL PROTECT SAME IN WHOLE OR IN PART FROM DISCLOSURE AND DISSEMINATION TO ALL THIRD PARTIES.

LUMEX
 INCORPORATED

290 E. HELLEN ROAD
 PALATINE, ILLINOIS 60067
 PHONE: 1-847-359-2790
 WEB: [HTTP://WWW.LUMEX.COM](http://www.lumex.com)

DUAL T-3mm (T-1) LED HOLDER WITH LOCATOR TABS.

RELIABILITY NOTE
 OUR MANY YEARS OF EXPERIENCE DATA ACCUMULATION INDICATE THAT SOLDER HEAT IS A MAJOR CAUSE OF EARLY AND FUTURE FAILURE. PLEASE PAY ATTENTION TO YOUR SOLDERING PROCESS.

DRAWN BY:

SS/DU

CHECKED BY:

APPROVED BY:

DATE: 12-28-99

PAGE: 1 OF 1

SCALE: N/A