

THIS DRAWING IS UNPUBLISHED. RELEASED FOR PUBLICATION
 © COPYRIGHT - By - ALL RIGHTS RESERVED.

LOC		DIST		REVISIONS			
P	LTR	DESCRIPTION		DATE	DWN	APVD	
	B	REVISED PER ECO-15-007842		23JUN2015	NG	PS	

D

C

B

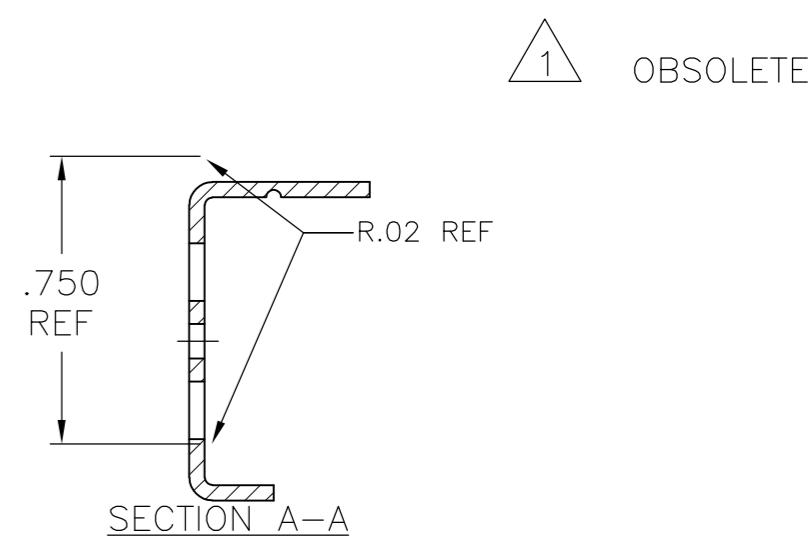
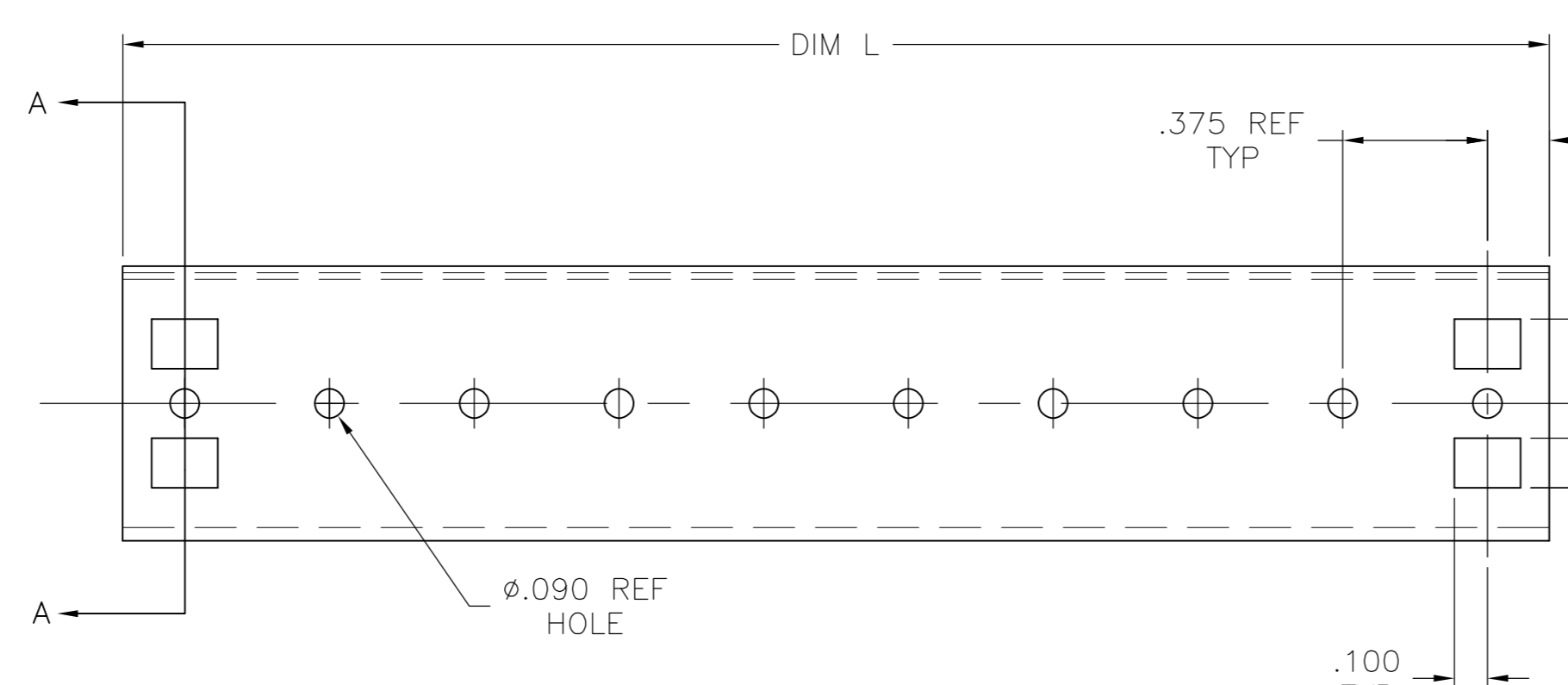
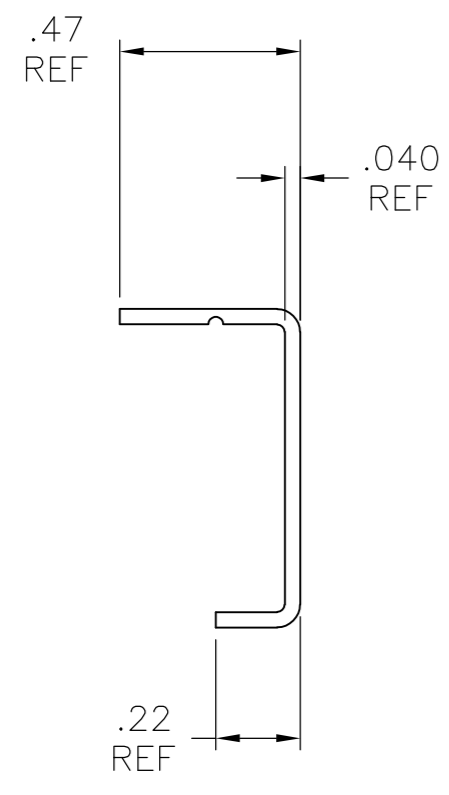
A

D

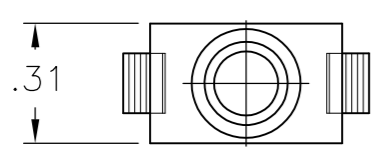
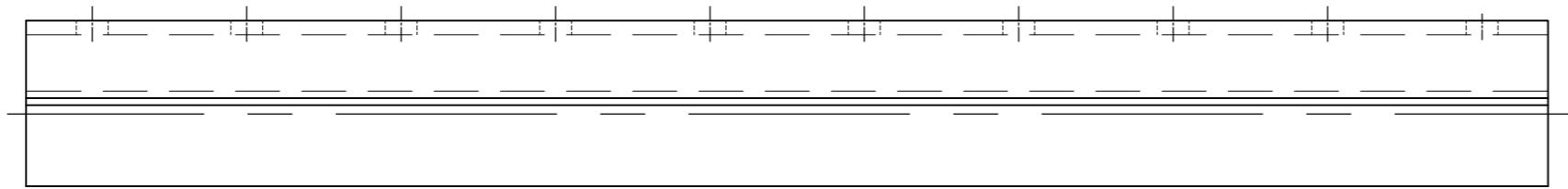
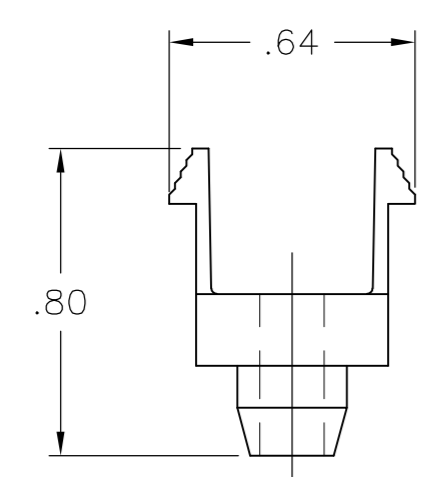
C

B

A



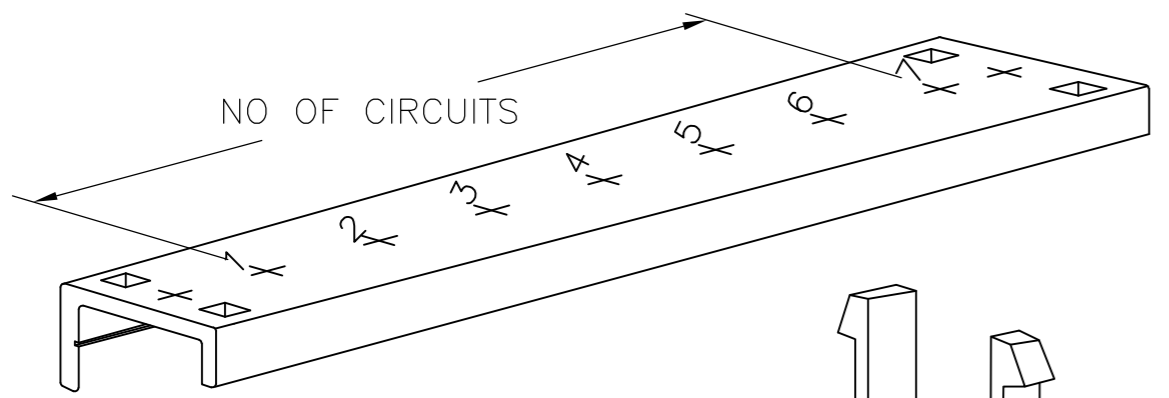
1 OBSOLETE



SAFETY COVER
QTY 1

COVER RETAINER
QTY 2

1	1986778-2	11.625	31	29	6C1N29	2-1776437-9
1	1986778-2	11.25	30	28	6C1N28	2-1776437-8
1	1986778-2	10.875	29	27	6C1N27	2-1776437-7
1	1986778-2	10.5	28	26	6C1N26	2-1776437-6
1	1986778-2	10.125	27	25	6C1N25	2-1776437-5
1	1986778-2	9.375	25	23	6C1N23	2-1776437-3
1	1986778-2	9	24	22	6C1N22	2-1776437-2
1	1986778-2	8.625	23	21	6C1N21	2-1776437-1
1	1986778-2	8.25	22	20	6C1N20	2-1776437-0
1	1986778-2	7.875	21	19	6C1N19	1-1776437-9
1	1986778-2	7.125	19	17	6C1N17	1-1776437-7
1	1986778-2	6	16	14	6C1N14	1-1776437-4
1	1986778-2	5.625	15	13	6C1N13	1-1776437-3
1	1986778-2	4.875	13	11	6C1N11	1-1776437-1
	1986778-2	4.125	11	9	6C1F09	7-1437418-1
	1986778-2	9.75	26	24	6C1N24	2-1437418-7
	1986778-2	7.5	20	18	6C1N18	2-1437418-6
	1986778-2	6.75	18	16	6C1N16	2-1437418-5
	1986778-2	6.575	17	15	6C1N15	2-1437418-4
	1986778-2	4.125	11	9	6C1N09	2-1437418-1
	1986778-2	3.75	10	8	6C1N08	2-1437418-0
	1986778-2	3	8	6	6C1N06	1-1437418-8
	1986778-2	2.25	6	4	6C1N04	1-1437418-6
	1986778-2	1.875	5	3	6C1N03	1-1437418-5
	1986778-2	10.5	28	26	6C1F26	1-1437418-3
1	1986778-2	2.625	7	5	6C1F05	1-1437418-9
	COVER RETAINER QTY=2	DIM L ± 0.040	TOTAL NUMBER OF HOLES	TOTAL NUMBER OF CIRCUITS	CATALOG NUMBER	PART NUMBER



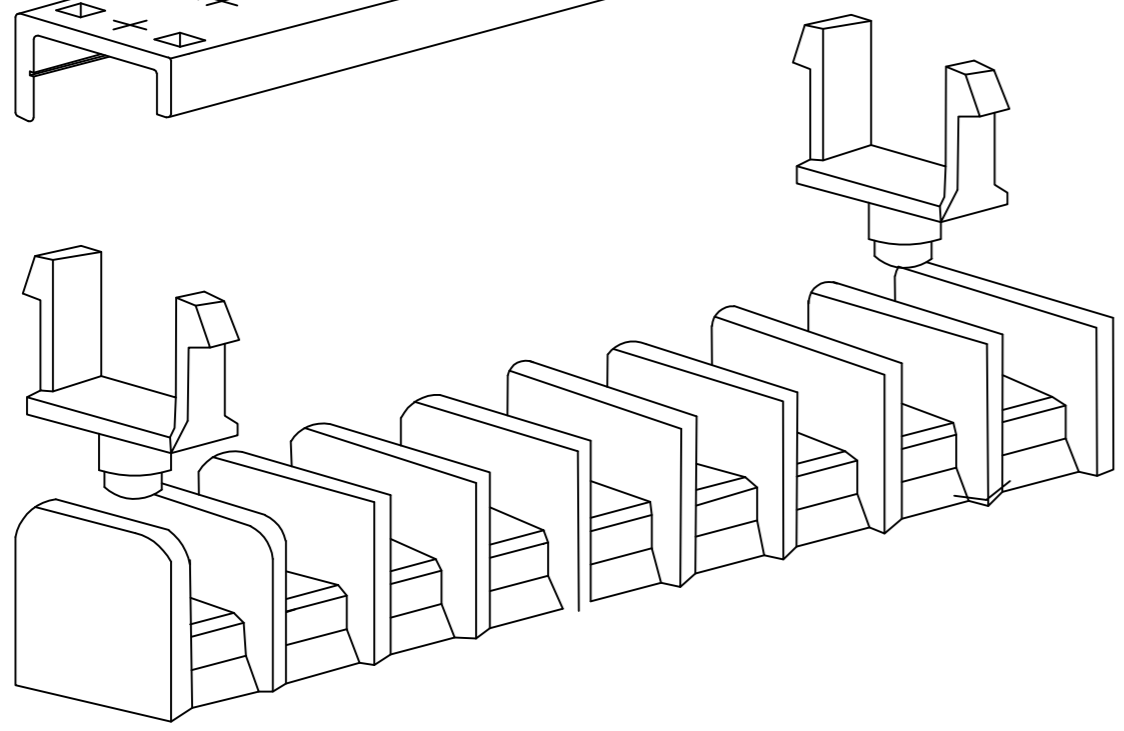
6
6=.375 C/L SPACING

C
COVER MATERIAL YELLOW PVC

1
CLOSED BACK

*
N=NO MARKING
F=FORWARD SEQUENCE

*
NUMBER OF CIRCUITS



THIS DRAWING IS A CONTROLLED DOCUMENT.

DIMENSIONS: INCHES	TOLERANCES UNLESS OTHERWISE SPECIFIED:	DWN S SCHLEGEL 9/29/06	TE Connectivity
		CHK S YODER 9/29/06	
		APVD S YODER 9/29/06	6C1F03=SSB 3/8 SAFE CVR 3CKT
		PRODUCT SPEC	
		APPLICATION SPEC	RESTRICTED TO
MATERIAL	FINISH	WEIGHT	SIZE CAGE CODE DRAWING NO
			A2 00779 C=1437418-7
		CUSTOMER DRAWING	SCALE 2:1 SHEET 1 of 1 REV B