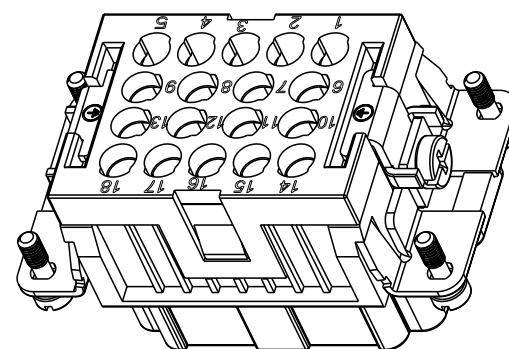
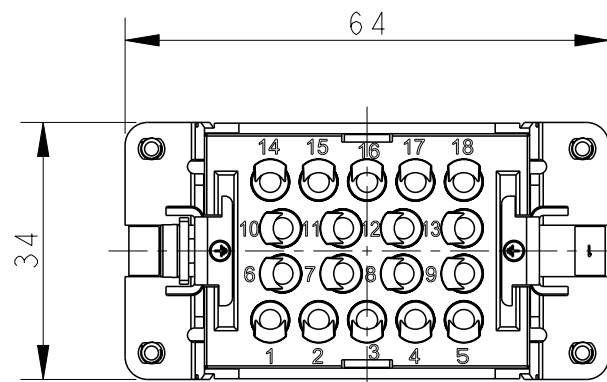


REVISIONS

P	LTR	DESCRIPTION	DATE	DWN	APVD
A		INITIAL RELEASE	10MAR2015	DL	CW
B		ECR-15-014907	14OCT2015	DL	CW
B1		ECR-16-015492	21NOV2016	QY	CW
B2		ECR-19-012251	31AUG2019	WQR	CW

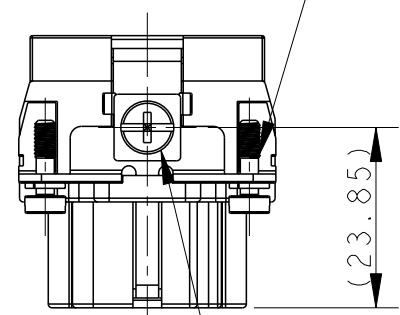


TYPE-1, T2050182201-000, TE LOGO  
 类型-1, T2050182201-000, TE LOGO

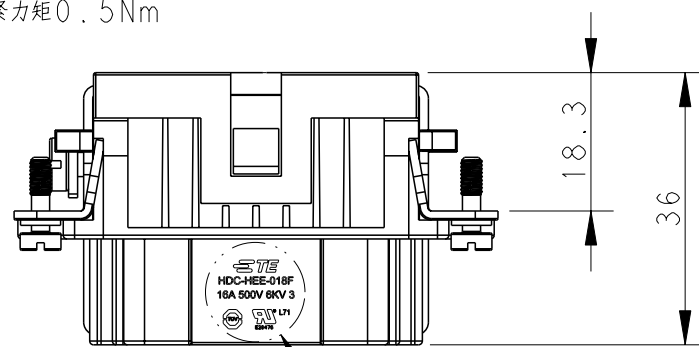
- NOTES:
- TECHNICAL CHARACTERISTICS:  
 INSULATION MATERIAL: PC  
 RATED VOLTAGE: 500 V  
 RATED CURRENT: 16 A  
 INSULATION RESISTANCE:  $\geq 400M\Omega$   
 RATED IMPULSE VOLTAGE: 6 KV  
 POLLUTION DEGREE: 3  
 FLAMMABILITY: UL94V-0  
 MATING CYCLES: 500 CYCLES  
 WIRE RANGE: 0.14-4 mm<sup>2</sup> (26-12 AWG)  
 CONTACT TYPE: CRIMP CONTACT
  - CONTACT NEED TO BE ORDERED SEPARATELY.  
 (ORDER No. T20300X20XX-000)

- 注释:
- 技术参数:  
 绝缘材料: PC  
 额定电压: 500V  
 额定电流: 16A  
 绝缘电阻:  $\geq 400M\Omega$   
 额定脉冲电压: 6 KV  
 污染等级: 3  
 阻燃等级: UL94V-0  
 插拔次数: 500次  
 接线范围: 0.14-4 mm<sup>2</sup> (26-12 AWG)  
 接线类型: 冷压接
  - 端子需要单独订购。  
 (订货号 T20300X20XX-000)

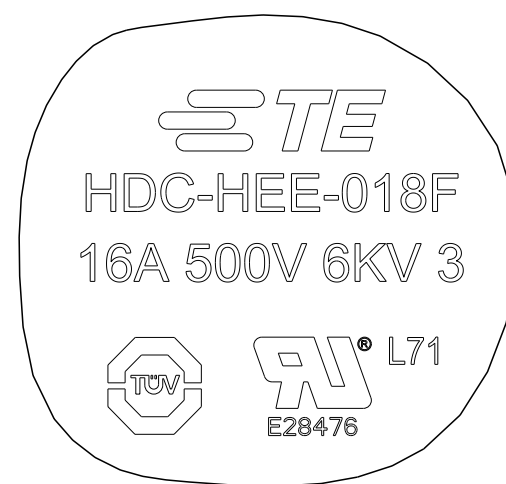
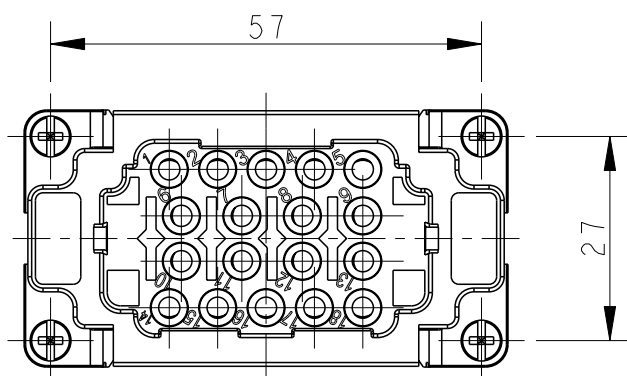
4X M3 SCREW, RECOMMENDED  
 TIGHTENING TORQUE 0.5Nm  
 4X M3螺丝, 推荐锁紧力矩0.5Nm



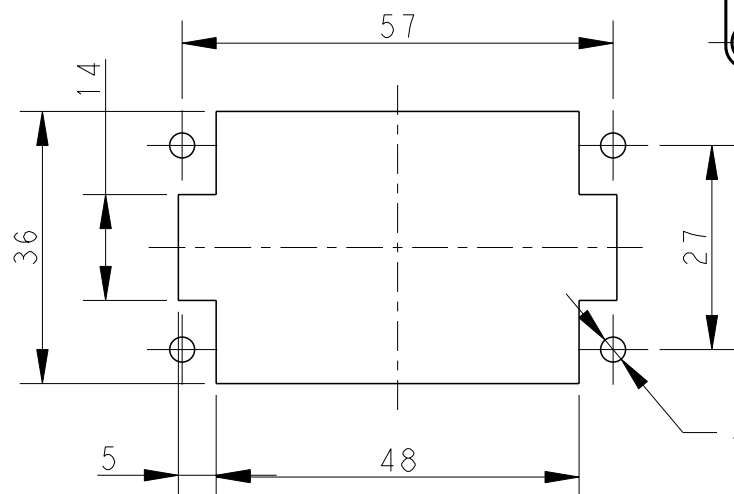
M4 SCREW, RECOMMENDED  
 TIGHTENING TORQUE 1.2Nm  
 M4螺丝, 推荐锁紧力矩1.2Nm



DETAIL A



DETAIL A  
 SCALE 5:1



PANEL CUT FOR INSERTS FOR USING  
 WITHOUT HOODS/ HOUSINGS  
 不使用防护外壳时芯件的安装开孔图

THIS DRAWING IS A CONTROLLED DOCUMENT.

DIMENSIONS:	TOLERANCES UNLESS OTHERWISE SPECIFIED:
mm	
	0 PLC ±-
	1 PLC ±-
	2 PLC ±-
	3 PLC ±-
	4 PLC ±-
	ANGLES ±-
MATERIAL	FINISH
-	-
-	-

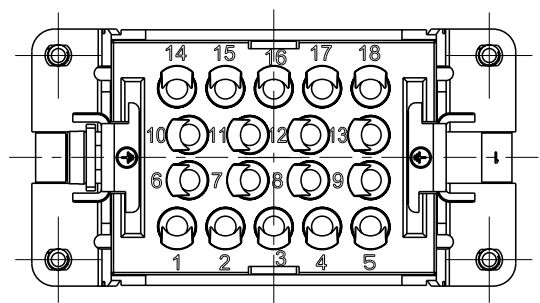
DWN	DAVID LI	10MAR2015
CHK	CHRIS WANG	10MAR2015
APVD	XU XIANG	10MAR2015
PRODUCT SPEC	108-106137	
APPLICATION SPEC	114-106137	
WEIGHT	-	
CUSTOMER DRAWING		



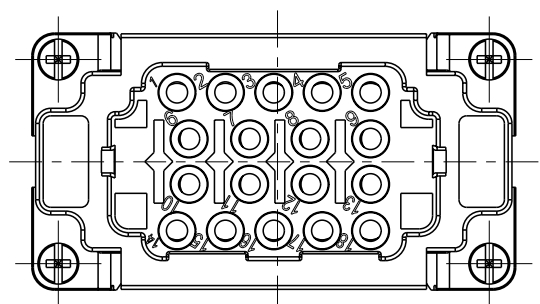
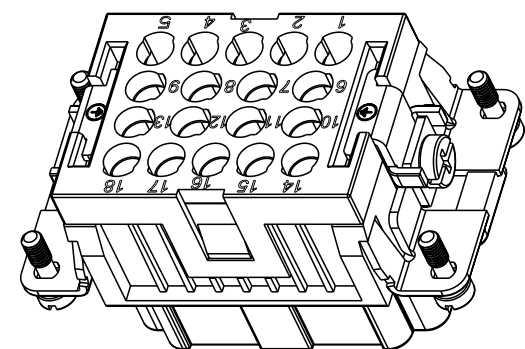
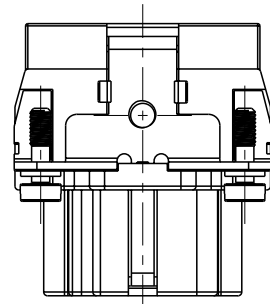
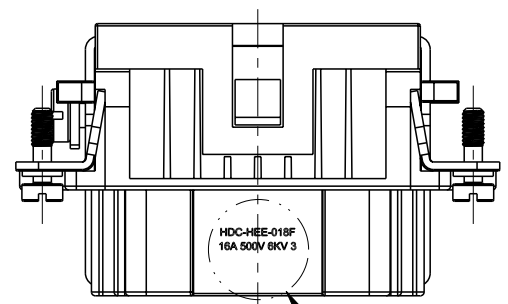
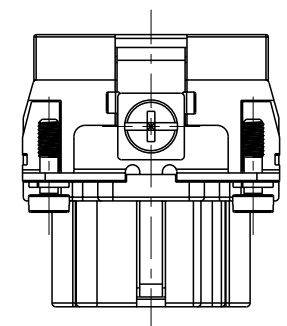
NAME		HEE-018-F	
SIZE	CAGE CODE	DRAWING NO	RESTRICTED TO
A3	-	©-T2050182201000	
SCALE		SHEET	REV
1:1		1 OF 3	B2

THIS DRAWING IS UNPUBLISHED. RELEASED FOR PUBLICATION 20  
 © COPYRIGHT 20 BY - ALL RIGHTS RESERVED.

REVISIONS					
P	LTR	DESCRIPTION	DATE	DWN	APVD
-		SEE SHEET 1	-	-	-



NOTE:  
 SEE SHEET 1  
 注释:  
 见页 1




HDC-HEE-018F  
 16A 500V 6KV 3

TYPE-2, T2059182201-000, NO TE LOGO  
 类型-2, T2059182201-000, 无TE LOGO

ALL SPEC DIMENSION REFER TO TYPE 1  
 所有产品规格尺寸参照 TYPE 1

DETAIL B  
 SCALE 4:1

THIS DRAWING IS A CONTROLLED DOCUMENT.		DWN DAVID LI 10MAR2015	 TE Connectivity	
		CHK CHRIS WANG 10MAR2015		
		APVD XU XIANG 10MAR2015	NAME HEE-018-F	
DIMENSIONS: mm		PRODUCT SPEC 108-106137		
TOLERANCES UNLESS OTHERWISE SPECIFIED:		APPLICATION SPEC 114-106137		
0 PLC ±- 1 PLC ±- 2 PLC ±- 3 PLC ±- 4 PLC ±- ANGLES ±-		WEIGHT -	SIZE A3	CAGE CODE -
MATERIAL -		CUSTOMER DRAWING	DRAWING NO. T2050182201000	
			RESTRICTED TO	
			SCALE 1:1	SHEET 2 OF 3
				REV B2

THIS DRAWING IS UNPUBLISHED.

RELEASED FOR PUBLICATION

20

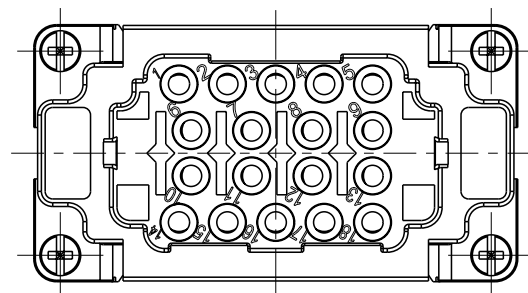
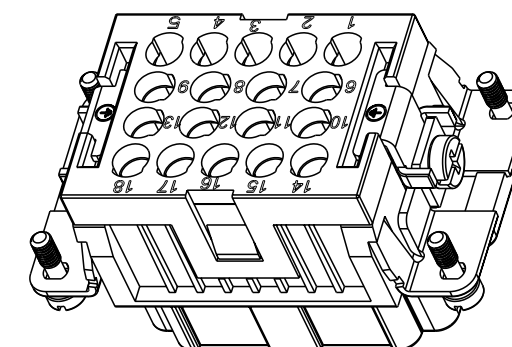
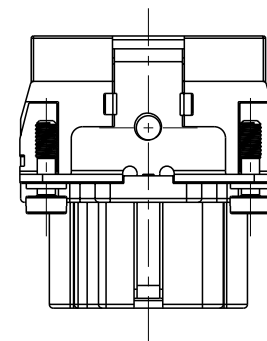
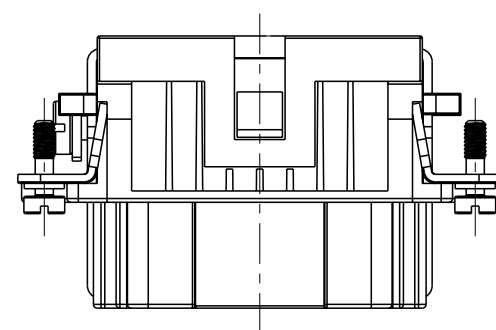
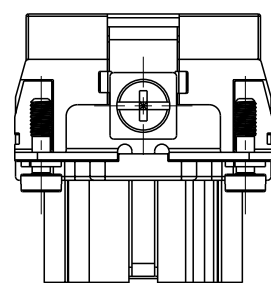
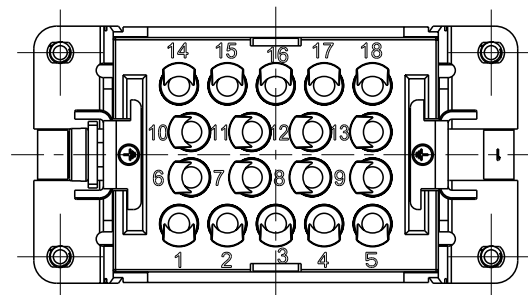
© COPYRIGHT 20 BY -

ALL RIGHTS RESERVED.

REVISIONS

P	LTR	DESCRIPTION	DATE	DWN	APVD
-		SEE SHEET 1	-	-	-

NOTE:  
SEE SHEET 1  
注释:  
见页 1



TYPE-3, T2050182201-001, STAINLESS STEEL SCREW, NO LOGO  
类型-3, T2050182201-001, 不锈钢螺丝, 无LOGO

ALL SPEC DIMENSION REFER TO TYPE 1  
所有产品规格尺寸参照 TYPE 1

T2050182201-001	HEE-018-F	HEE-018 FEMALE INSERT, STAINLESS STEEL SCREW, NO LOGO HEE-018 母插, 不锈钢螺丝, 无LOGO	TYPE-3 类型-3
T2059182201-000	HEE-018-F	HEE-018 FEMALE INSERT, NO TE LOGO HEE-018 母插, 无TE LOGO	TYPE-2 类型-2
T2050182201-000	HEE-018-F	HEE-018 FEMALE INSERT HEE-018 母插	TYPE-1 类型-1
PART NUMBER 料号	PART DESCRIPTION 描述		TYPE 类型

THIS DRAWING IS A CONTROLLED DOCUMENT.		DWN DAVID LI 10MAR2015		
DIMENSIONS: mm		CHK CHRIS WANG 10MAR2015		
TOLERANCES UNLESS OTHERWISE SPECIFIED:		APVD XU XIANG 10MAR2015	NAME HEE-018-F	
0 PLC ±- 1 PLC ±- 2 PLC ±- 3 PLC ±- 4 PLC ±- ANGLES ±-		PRODUCT SPEC 108-106137	RESTRICTED TO	
MATERIAL		APPLICATION SPEC 114-106137	SIZE A3	CAGE CODE -
FINISH		WEIGHT -	DRAWING NO T2050182201000	
		CUSTOMER DRAWING	SCALE 1:1	SHEET 3 OF 3
			REV B2	