

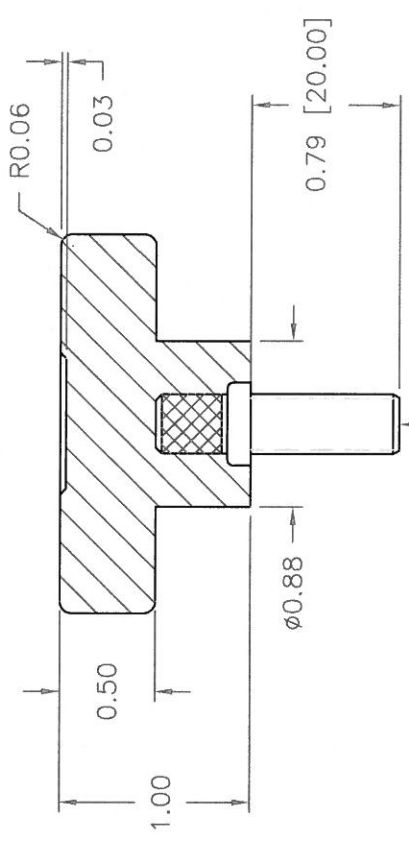
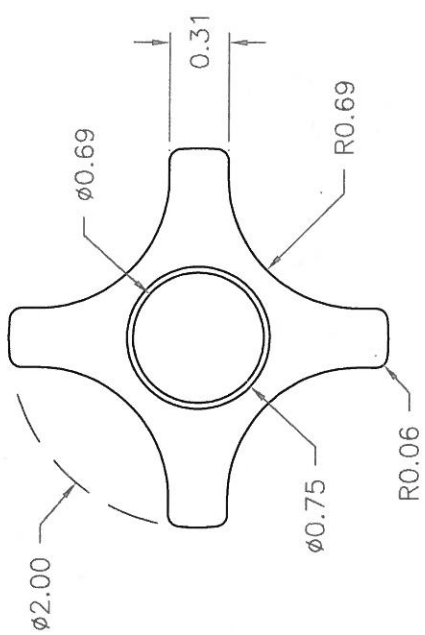
PART NAME: KNOB SCALE: 1:1 DATE: 5/30/17 DR. BY JD

DESIGNERS & MANUFACTURERS OF KNOBS, HANDLES, CASES & CUSTOM PLASTIC COMPONENTS

DAVIES MOLDING

THIS DRAWING IS THE PROPERTY OF DAVIES MOLDING COMPANY, IS SUBMITTED SOLELY AS A DESIGN OR ENGINEERING PROJECT. WE ACCEPT NO RESPONSIBILITY WHATSOEVER FOR THE PRACTICAL APPLICATION OF THE PIECES MADE TO THIS DESIGN.

P/N	2830EA
M.No.	2890-2830
CAVITY	2830
PLUNGER	2830
PLUNGER PIN	2830
PIN	3000-K
LANDING BAR	.472
PIN PLATE SHIM	.498
SHIM	.018
INSERT	I2506
CAVITY KEY	1/8x1/4x1 1/8
PLUNGER KEY	1/8x1/4x1 1/8



M8 X 1.25 - 6g THREADED  
I2506, STEEL, ZINC

MATERIAL: #4311 PLENCO PHENOLIC (B41)  
COLOR: BLACK

TOLERANCES: UNLESS OTHERWISE SPECIFIED	DO NOT SCALE DRAWING		
DECIMALS: X.XXX ± .005 X.XX ± .015	MM: X.XX ± 0.15MM X.X ± 0.4MM		
FRACTIONS ± 1/64	ANG. ± 1°		
CHANGES			