

FEATURES

- Four Identical 2nd Order Filter Sections in an SSOP Package
- 2nd Order Section Center Frequency Error: $\pm 0.3\%$ Typical and $\pm 0.8\%$ Maximum
- Low Noise per 2nd Order Section, $Q \leq 5$:
 LTC1068-200 $50\mu\text{V}_{\text{RMS}}$, LTC1068 $50\mu\text{V}_{\text{RMS}}$
 LTC1068-50 $75\mu\text{V}_{\text{RMS}}$, LTC1068-25 $90\mu\text{V}_{\text{RMS}}$
- Low Power Supply Current: 4.5mA, Single 5V, LTC1068-50
- Operation with $\pm 5\text{V}$ Power Supply, Single 5V Supply or Single 3.3V Supply

APPLICATIONS

- Lowpass or Highpass Filters:
 LTC1068-200, 0.5Hz to 25kHz; LTC1068, 1Hz to 50kHz; LTC1068-50, 2Hz to 50kHz; LTC1068-25, 4Hz to 200kHz
- Bandpass or Bandreject (Notch) Filters:
 LTC1068-200, 0.5Hz to 15kHz; LTC1068, 1Hz to 30kHz; LTC1068-50, 2Hz to 30kHz; LTC1068-25, 4Hz to 140kHz

DESCRIPTION

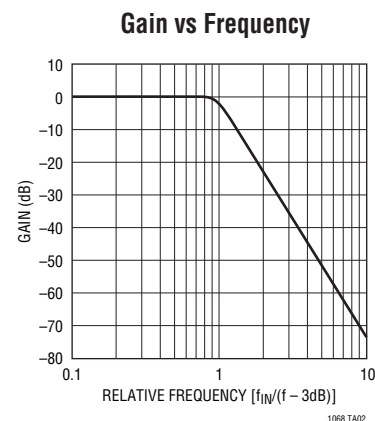
The LTC[®]1068 product family consists of four monolithic clock-tunable filter building blocks. Each product contains four matched, low noise, high accuracy 2nd order switched-capacitor filter sections. An external clock tunes the center frequency of each 2nd order filter section. The LTC1068 products differ only in their clock-to-center frequency ratio. The clock-to-center frequency ratio is set to 200:1 (LTC1068-200), 100:1 (LTC1068), 50:1 (LTC1068-50) or 25:1 (LTC1068-25). External resistors can modify the clock-to-center frequency ratio. High performance, quad 2nd order, dual 4th order or 8th order filters can be designed with an LTC1068 family product. Designing filters with an LTC1068 product is fully supported by FilterCAD[™] filter design software for Windows.

The LTC1068 products are available in a 28-pin SSOP surface mount package. A customized version of an LTC1068 family product can be obtained in a 16-lead SO package with internal thin-film resistors. Please contact LTC Marketing for details.

LT, LT, LTC, LTM, Linear Technology and the Linear logo are registered trademarks and FilterCAD is a trademark of Linear Technology Corporation. All other trademarks are the property of their respective owners.

TYPICAL APPLICATION

Dual, Matched, 4th Order Butterworth Lowpass Filters, Clock-Tunable Up to 200kHz $f - 3\text{dB} = f_{\text{CLK}}/25$, 4th Order Filter Noise = $60\mu\text{V}_{\text{RMS}}$



LTC1068 Series

ABSOLUTE MAXIMUM RATINGS (Note 1)

| | | | |
|--|----------------|--|---------------|
| Total Supply Voltage (V^+ to V^-) | 12V | Operating Temperature Range | |
| Power Dissipation | 500mW | LTC1068C | 0°C to 70°C |
| Input Voltage at Any Pin..... $V^- - 0.3V \leq V_{IN} \leq V^+ + 0.3V$ | | LTC1068I..... | -40°C to 85°C |
| Storage Temperature Range..... | -65°C to 150°C | Lead Temperature (Soldering, 10 sec) | 300°C |

PIN CONFIGURATION



ORDER INFORMATION

| LEAD FREE FINISH | TAPE AND REEL | PART MARKING | PACKAGE DESCRIPTION | TEMPERATURE RANGE |
|-------------------|---------------------|--------------|----------------------|-------------------|
| LTC1068CG#PBF | LTC1068CG#TRPBF | LTC1068 | 28-Lead Plastic SSOP | 0°C to 70°C |
| LTC1068IG#PBF | LTC1068IG#TRPBF | LTC1068 | 28-Lead Plastic SSOP | -40°C to 85°C |
| LTC1068-200CG#PBF | LTC1068-200CG#TRPBF | LTC1068 | 28-Lead Plastic SSOP | 0°C to 70°C |
| LTC1068-200IG#PBF | LTC1068-200IG#TRPBF | LTC1068 | 28-Lead Plastic SSOP | -40°C to 85°C |
| LTC1068-50CG#PBF | LTC1068-50CG#TRPBF | LTC1068 | 28-Lead Plastic SSOP | 0°C to 70°C |
| LTC1068-50IG#PBF | LTC1068-50IG#TRPBF | LTC1068 | 28-Lead Plastic SSOP | -40°C to 85°C |
| LTC1068-25CG#PBF | LTC1068-25CG#TRPBF | LTC1068 | 28-Lead Plastic SSOP | 0°C to 70°C |
| LTC1068-25IG#PBF | LTC1068-25IG#TRPBF | LTC1068 | 28-Lead Plastic SSOP | -40°C to 85°C |
| LTC1068CN#PBF | NA | LTC1068 | 24-Lead PDIP | 0°C to 70°C |
| LTC1068IN#PBF | NA | LTC1068 | 24-Lead PDIP | -40°C to 85°C |

Consult LTC Marketing for parts specified with wider operating temperature ranges.

Consult LTC Marketing for information on nonstandard lead based finish parts.

For more information on lead free part marking, go to: <http://www.linear.com/leadfree/>

For more information on tape and reel specifications, go to: <http://www.linear.com/tapeandreel/>

ELECTRICAL CHARACTERISTICS

LTC1068 (Internal Op Amps). The ● denotes the specifications which apply over the full operating temperature range, otherwise specifications are at $V_S = \pm 5V$, $T_A = 25^\circ V$, unless otherwise noted.

| PARAMETER | CONDITIONS | MIN | TYP | MAX | UNITS |
|--|---|-------------|-------------------------|-------------------------|-----------------------------|
| Operating Supply Voltage Range | | 3.14 | | ± 5.5 | V |
| Voltage Swings | $V_S = 3.14V$, $R_L = 5k$ (Note 2) $V_S = 4.75V$, $R_L = 5k$ (Note 3) $V_S = \pm 5V$, $R_L = 5k$ | ● ● ● | 1.2 2.6 ± 3.4 | 1.6 3.2 ± 4.1 | V_{P-P} V_{P-P} V |
| Output Short-Circuit Current (Source/Sink) | $V_S = \pm 4.75V$ $V_S = \pm 5V$ | | 17/6 20/15 | | mA mA |
| DC Open-Loop Gain | $R_L = 5k$ | | 85 | | dB |
| GBW Product | $V_S = \pm 5V$ | | 6 | | MHz |
| Slew Rate | $V_S = \pm 5V$ | | 10 | | V/ μs |
| Analog Ground Voltage (Note 4) | $V_S = 5V$, Voltage at AGND | | $2.5V \pm 2\%$ | | V |

LTC1068 (Complete Filter) $V_S = \pm 5V$, $T_A = 25^\circ V$, unless otherwise noted.

| PARAMETER | CONDITIONS | MIN | TYP | MAX | UNITS |
|--|--|-----|---------------|--------------------------------|-------------------|
| Clock-to-Center Frequency Ratio (Note 5) | $V_S = 4.75V$, $f_{CLK} = 1MHz$, Mode 1 (Note 3), $f_0 = 10kHz$, $Q = 5$, $V_{IN} = 0.5V_{RMS}$, $R1 = R3 = 49.9k$, $R2 = 10k$ | ● | 100 \pm 0.3 | 100 \pm 0.8 100 \pm 0.9 | % % |
| | $V_S = \pm 5V$, $f_{CLK} = 1MHz$, Mode 1, $f_0 = 10kHz$, $Q = 5$, $V_{IN} = 1V_{RMS}$, $R1 = R3 = 49.9k$, $R2 = 10k$ | ● | 100 \pm 0.3 | 100 \pm 0.8 100 \pm 0.9 | % % |
| Clock-to-Center Frequency Ratio, Side-to-Side Matching (Note 5) | $V_S = 4.75V$, $f_{CLK} = 1MHz$, $Q = 5$ (Note 3) | ● | ± 0.25 | ± 0.9 | % |
| | $V_S = \pm 5V$, $f_{CLK} = 1MHz$, $Q = 5$ | ● | ± 0.25 | ± 0.9 | % |
| Q Accuracy (Note 5) | $V_S = 4.75V$, $f_{CLK} = 1MHz$, $Q = 5$ (Note 3) | ● | ± 1 | ± 3 | % |
| | $V_S = \pm 5V$, $f_{CLK} = 1MHz$, $Q = 5$ | ● | ± 1 | ± 3 | % |
| f_0 Temperature Coefficient | | | ± 1 | | ppm/ $^\circ C$ |
| Q Temperature Coefficient | | | ± 5 | | ppm/ $^\circ C$ |
| DC Offset Voltage (Note 5) (See Table 1) | $V_S = \pm 5V$, $f_{CLK} = 1MHz$, V_{OS1} (DC Offset of Input Inverter) | ● | 0 | ± 15 | mV |
| | $V_S = \pm 5V$, $f_{CLK} = 1MHz$, V_{OS2} (DC Offset of First Integrator) | ● | ± 2 | ± 25 | mV |
| | $V_S = \pm 5V$, $f_{CLK} = 1MHz$, V_{OS3} (DC Offset of Second Integrator) | ● | ± 5 | ± 40 | mV |
| Clock Feedthrough | $V_S = \pm 5V$, $f_{CLK} = 1MHz$ | | 0.1 | | mV _{RMS} |
| Max Clock Frequency (Note 6) | $V_S = \pm 5V$, $Q \leq 2.0$, Mode 1 | | 5.6 | | MHz |
| Power Supply Current | $V_S = 3.14V$, $f_{CLK} = 1MHz$ (Note 2) | ● | 3.5 | 8 | mA |
| | $V_S = 4.75V$, $f_{CLK} = 1MHz$ (Note 3) | ● | 6.5 | 11 | mA |
| | $V_S = \pm 5V$, $f_{CLK} = 1MHz$ | ● | 9.5 | 15 | mA |

LTC1068 Series

ELECTRICAL CHARACTERISTICS LTC1068-200 (Internal Op Amps). The ● denotes the specifications which apply over the full operating temperature range, otherwise specifications are at $V_S = \pm 5V$, $T_A = 25^\circ V$, unless otherwise noted.

| PARAMETER | CONDITIONS | MIN | TYP | MAX | UNITS |
|--|---|-------------------------------|-------------------------|-----------|-----------------------------|
| Operating Supply Voltage Range | | 3.14 | | ± 5.5 | V |
| Voltage Swings | $V_S = 3.14V$, $R_L = 5k$ (Note 2) $V_S = 4.75V$, $R_L = 5k$ (Note 3) $V_S = \pm 5V$, $R_L = 5k$ | ● 1.2 ● 2.6 ● ± 3.4 | 1.6 3.2 ± 4.1 | | V_{P-P} V_{P-P} V |
| Output Short-Circuit Current (Source/Sink) | $V_S = \pm 4.75V$ $V_S = \pm 5V$ | | 17/6 20/15 | | mA mA |
| DC Open-Loop Gain | $R_L = 5k$ | | 85 | | dB |
| GBW Product | $V_S = \pm 5V$ | | 6 | | MHz |
| Slew Rate | $V_S = \pm 5V$ | | 10 | | V/ μs |
| Analog Ground Voltage (Note 4) | $V_S = 5V$, Voltage at AGND | | $2.5V \pm 2\%$ | | V |

LTC1068-200 (Complete Filter) $V_S = \pm 5V$, $T_A = 25^\circ V$, unless otherwise noted.

| PARAMETER | CONDITIONS | MIN | TYP | MAX | UNITS |
|--|---|-----|---------------|--------------------------------|-----------------|
| Clock-to-Center Frequency Ratio (Note 5) | $V_S = 4.75V$, $f_{CLK} = 1MHz$, Mode 1 (Note 3), $f_0 = 5kHz$, $Q = 5$, $V_{IN} = 0.5V_{RMS}$, $R1 = R3 = 49.9k$, $R2 = 10k$ | ● | 200 ± 0.3 | 200 ± 0.8 200 ± 0.9 | % % |
| | $V_S = \pm 5V$, $f_{CLK} = 1MHz$, Mode 1, $f_0 = 5Hz$, $Q = 5$, $V_{IN} = 1V_{RMS}$, $R1 = R3 = 49.9k$, $R2 = 10k$ | ● | 200 ± 0.3 | 200 ± 0.8 200 ± 0.9 | % % |
| Clock-to-Center Frequency Ratio, Side-to-Side Matching (Note 5) | $V_S = 4.75V$, $f_{CLK} = 1MHz$, $Q = 5$ (Note 3) | ● | ± 0.25 | ± 0.9 | % |
| | $V_S = \pm 5V$, $f_{CLK} = 1MHz$, $Q = 5$ | ● | ± 0.25 | ± 0.9 | % |
| Q Accuracy (Note 5) | $V_S = 4.75V$, $f_{CLK} = 1MHz$, $Q = 5$ (Note 3) | ● | ± 1 | ± 3 | % |
| | $V_S = \pm 5V$, $f_{CLK} = 1MHz$, $Q = 5$ | ● | ± 1 | ± 3 | % |
| f_0 Temperature Coefficient | | | ± 1 | | ppm/ $^\circ C$ |
| Q Temperature Coefficient | | | ± 5 | | ppm/ $^\circ C$ |
| DC Offset Voltage (Note 5) (See Table 1) | $V_S = \pm 5V$, $f_{CLK} = 1MHz$, V_{OS1} (DC Offset of Input Inverter) | ● | 0 | ± 15 | mV |
| | $V_S = \pm 5V$, $f_{CLK} = 1MHz$, V_{OS2} (DC Offset of First Integrator) | ● | ± 2 | ± 25 | mV |
| | $V_S = \pm 5V$, $f_{CLK} = 1MHz$, V_{OS3} (DC Offset of Second Integrator) | ● | ± 5 | ± 40 | mV |
| Clock Feedthrough | $V_S = \pm 5V$, $f_{CLK} = 1MHz$ | | 0.1 | | mV_{RMS} |
| Max Clock Frequency (Note 6) | $V_S = \pm 5V$, $Q \leq 2.0$, Mode 1 | | 5.6 | | MHz |
| Power Supply Current | $V_S = 3.14V$, $f_{CLK} = 1MHz$ (Note 2) | ● | 3.5 | 8 | mA |
| | $V_S = 4.75V$, $f_{CLK} = 1MHz$ (Note 3) | ● | 6.5 | 11 | mA |
| | $V_S = \pm 5V$, $f_{CLK} = 1MHz$ | ● | 9.5 | 15 | mA |

ELECTRICAL CHARACTERISTICS

LTC1068-50 (Internal Op Amps). The ● denotes the specifications which apply over the full operating temperature range, otherwise specifications are at $V_S = \pm 5V$, $T_A = 25^\circ V$, unless otherwise noted.

| PARAMETER | CONDITIONS | MIN | TYP | MAX | UNITS |
|--|---|-------------------------------|-------------------------|-----------|-----------------------------|
| Operating Supply Voltage Range | | 3.14 | | ± 5.5 | V |
| Voltage Swings | $V_S = 3.14V$, $R_L = 5k$ (Note 2) $V_S = 4.75V$, $R_L = 5k$ (Note 3) $V_S = \pm 5V$, $R_L = 5k$ | ● 1.2 ● 2.6 ● ± 3.4 | 1.8 3.6 ± 4.1 | | V_{P-P} V_{P-P} V |
| Output Short-Circuit Current (Source/Sink) | $V_S = \pm 3.14V$ $V_S = \pm 5V$ | | 17/6 20/15 | | mA mA |
| DC Open-Loop Gain | $R_L = 5k$ | | 85 | | dB |
| GBW Product | $V_S = \pm 5V$ | | 4 | | MHz |
| Slew Rate | $V_S = \pm 5V$ | | 7 | | V/ μs |
| Analog Ground Voltage (Note 4) | $V_S = 5V$, Voltage at AGND | | $2.175V \pm 2\%$ | | V |

LTC1068-50 (Complete Filter) $V_S = \pm 5V$, $T_A = 25^\circ V$, unless otherwise noted.

| PARAMETER | CONDITIONS | MIN | TYP | MAX | UNITS |
|--|--|-----|--------------|------------------------------|-----------------|
| Clock-to-Center Frequency Ratio (Note 5) | $V_S = 3.14V$, $f_{CLK} = 250kHz$, Mode 1 (Note 2), $f_0 = 5kHz$, $Q = 5$, $V_{IN} = 0.34V_{RMS}$, $R1 = R3 = 49.9k$, $R2 = 10k$ | ● | 50 ± 0.3 | 50 ± 0.8 50 ± 0.9 | % % |
| | $V_S = \pm 5V$, $f_{CLK} = 500kHz$, Mode 1, $f_0 = 10kHz$, $Q = 5$, $V_{IN} = 1V_{RMS}$, $R1 = R3 = 49.9k$, $R2 = 10k$ | ● | 50 ± 0.3 | 50 ± 0.8 50 ± 0.9 | % % |
| Clock-to-Center Frequency Ratio, Side-to-Side Matching (Note 5) | $V_S = 3.14V$, $f_{CLK} = 250kHz$, $Q = 5$ (Note 2) | ● | ± 0.25 | ± 0.9 | % |
| | $V_S = \pm 5V$, $f_{CLK} = 500kHz$, $Q = 5$ | ● | ± 0.25 | ± 0.9 | % |
| Q Accuracy (Note 5) | $V_S = 3.14V$, $f_{CLK} = 250kHz$, $Q = 5$ (Note 2) | ● | ± 1 | ± 3 | % |
| | $V_S = \pm 5V$, $f_{CLK} = 500kHz$, $Q = 5$ | ● | ± 1 | ± 3 | % |
| f_0 Temperature Coefficient | | | ± 1 | | ppm/ $^\circ C$ |
| Q Temperature Coefficient | | | ± 5 | | ppm/ $^\circ C$ |
| DC Offset Voltage (Note 5) (See Table 1) | $V_S = \pm 5V$, $f_{CLK} = 500kHz$, V_{OS1} (DC Offset of Input Inverter) | ● | 0 | ± 15 | mV |
| | $V_S = \pm 5V$, $f_{CLK} = 500kHz$, V_{OS2} (DC Offset of First Integrator) | ● | -2 | ± 25 | mV |
| | $V_S = \pm 5V$, $f_{CLK} = 500kHz$, V_{OS3} (DC Offset of Second Integrator) | ● | -5 | ± 40 | mV |
| Clock Feedthrough | $V_S = \pm 5V$, $f_{CLK} = 500kHz$ | | 0.16 | | mV_{RMS} |
| Max Clock Frequency (Note 6) | $V_S = \pm 5V$, $Q \leq 1.6$, Mode 1 | | 3.4 | | MHz |
| Power Supply Current | $V_S = 3.14V$, $f_{CLK} = 250kHz$ (Note 2) | ● | 3.0 | 5 | mA |
| | $V_S = 4.75V$, $f_{CLK} = 250kHz$ (Note 3) | ● | 4.3 | 8 | mA |
| | $V_S = \pm 5V$, $f_{CLK} = 500kHz$ | ● | 6.0 | 11 | mA |

LTC1068 Series

ELECTRICAL CHARACTERISTICS LTC1068-25 (Internal Op Amps). The ● denotes the specifications which apply over the full operating temperature range, otherwise specifications are at $V_S = \pm 5V$, $T_A = 25^\circ V$, unless otherwise noted.

| PARAMETER | CONDITIONS | MIN | TYP | MAX | UNITS |
|--|---|-------------------------------|-------------------------|-----------|-----------------------------|
| Operating Supply Voltage Range | | 3.14 | | ± 5.5 | V |
| Voltage Swings | $V_S = 3.14V$, $R_L = 5k$ (Note 2) $V_S = 4.75V$, $R_L = 5k$ (Note 3) $V_S = \pm 5V$, $R_L = 5k$ | ● 1.2 ● 2.6 ● ± 3.4 | 1.6 3.4 ± 4.1 | | V_{P-P} V_{P-P} V |
| Output Short-Circuit Current (Source/Sink) | $V_S = \pm 4.75V$ $V_S = \pm 5V$ | | 17/6 20/15 | | mA mA |
| DC Open-Loop Gain | $R_L = 5k$ | | 85 | | dB |
| GBW Product | $V_S = \pm 5V$ | | 6 | | MHz |
| Slew Rate | $V_S = \pm 5V$ | | 10 | | V/ μs |
| Analog Ground Voltage (Note 4) | $V_S = 5V$, Voltage at AGND | | $2.5V \pm 2\%$ | | V |

LTC1068-25 (Complete Filter) $V_S = \pm 5V$, $T_A = 25^\circ V$, unless otherwise noted.

| PARAMETER | CONDITIONS | MIN | TYP | MAX | UNITS |
|---|--|-----|--------------|------------------------------|-----------------|
| Clock-to-Center Frequency Ratio (Note 5) | $V_S = 4.75V$, $f_{CLK} = 500kHz$, Mode 1 (Note 3), $f_0 = 20kHz$, $Q = 5$, $V_{IN} = 0.5V_{RMS}$, $R1 = R3 = 49.9k$, $R2 = 10k$ | ● | 25 ± 0.3 | 25 ± 0.8 25 ± 0.9 | % % |
| | $V_S = \pm 5V$, $f_{CLK} = 1MHz$, Mode 1, $f_0 = 40kHz$, $Q = 5$, $V_{IN} = 1V_{RMS}$, $R1 = R3 = 49.9k$, $R2 = 10k$ | ● | 25 ± 0.3 | 25 ± 0.8 25 ± 0.9 | % % |
| Clock-to-Center Frequency Ratio, Side-to-Side Matching (Note 5) | $V_S = 4.75V$, $f_{CLK} = 500kHz$, $Q = 5$ (Note 3) | ● | ± 0.25 | ± 0.9 | % |
| | $V_S = \pm 5V$, $f_{CLK} = 1MHz$, $Q = 5$ | ● | ± 0.25 | ± 0.9 | % |
| Q Accuracy (Note 5) | $V_S = 4.75V$, $f_{CLK} = 500kHz$, $Q = 5$ (Note 3) | ● | ± 1 | ± 3 | % |
| | $V_S = \pm 5V$, $f_{CLK} = 1MHz$, $Q = 5$ | ● | ± 1 | ± 3 | % |
| f_0 Temperature Coefficient | | | ± 1 | | ppm/ $^\circ C$ |
| Q Temperature Coefficient | | | ± 5 | | ppm/ $^\circ C$ |
| DC Offset Voltage (Note 5) (See Table 1) | $V_S = \pm 5V$, $f_{CLK} = 1MHz$, V_{OS1} (DC Offset of Input Inverter) | ● | 0 | ± 15 | mV |
| | $V_S = \pm 5V$, $f_{CLK} = 1MHz$, V_{OS2} (DC Offset of First Integrator) | ● | -2 | ± 25 | mV |
| | $V_S = \pm 5V$, $f_{CLK} = 1MHz$, V_{OS3} (DC Offset of Second Integrator) | ● | -5 | ± 40 | mV |
| Clock Feedthrough | $V_S = \pm 5V$, $f_{CLK} = 1MHz$ | | 0.25 | | mV_{RMS} |
| Max Clock Frequency (Note 6) | $V_S = \pm 5V$, $Q \leq 1.6$, Mode 1 | | 5.6 | | MHz |
| Power Supply Current | $V_S = 3.14V$, $f_{CLK} = 1MHz$ (Note 2) | ● | 3.5 | 8 | mA |
| | $V_S = 4.75V$, $f_{CLK} = 1MHz$ (Note 3) | ● | 6.5 | 11 | mA |
| | $V_S = \pm 5V$, $f_{CLK} = 1MHz$ | ● | 9.5 | 15 | mA |

Note 1: Stresses beyond those listed under Absolute Maximum Ratings may cause permanent damage to the device. Exposure to any Absolute Maximum Rating condition for extended periods may affect device reliability and lifetime.

Note 2: Production testing for single 3.14V supply is achieved by using the equivalent dual supplies of $\pm 1.57V$.

Note 3: Production testing for single 4.75V supply is achieved by using the equivalent dual supplies of $\pm 2.375V$.

Note 4: Pin 7 (AGND) is the internal analog ground of the device. For single supply applications this pin should be bypassed with a $1\mu F$ capacitor. The biasing voltage of AGND is set with an internal resistive divider from Pin 8 to Pin 23 (see Block Diagram).

Note 5: Side D is guaranteed by design.

Note 6: See Typical Performance Characteristics.

ELECTRICAL CHARACTERISTICS

Table 1. Output DC Offsets One 2nd Order Section

| MODE | V_{OSN} | V_{OSBP} | V_{OSLP} |
|------|---|------------|--|
| 1 | $V_{OS1}[(1/Q) + 1 + HOLP] - V_{OS3}/Q$ | V_{OS3} | $V_{OSN} - V_{OS2}$ |
| 1b | $V_{OS1}[(1/Q) + 1 + R2/R1] - V_{OS3}/Q$ | V_{OS3} | $\sim(V_{OSN} - V_{OS2})(1 + R5/R6)$ |
| 2 | $[V_{OS1}(1 + R2/R1 + R2/R3 + R2/R4) - V_{OS3}(R2/R3) \times [R4/(R2 + R4)] + V_{OS2}(R2/(R2 + R4))]$ | V_{OS3} | $V_{OSN} - V_{OS2}$ |
| 3 | V_{OS2} | V_{OS3} | $V_{OS1}[1 + R4/R1 + R4/R2 + R4/R3] - V_{OS2}(R4/R2) - V_{OS3}(R4/R3)$ |

TYPICAL PERFORMANCE CHARACTERISTICS

LTC1068
Maximum Q vs Center Frequency
(Modes 1, 1b, 2)



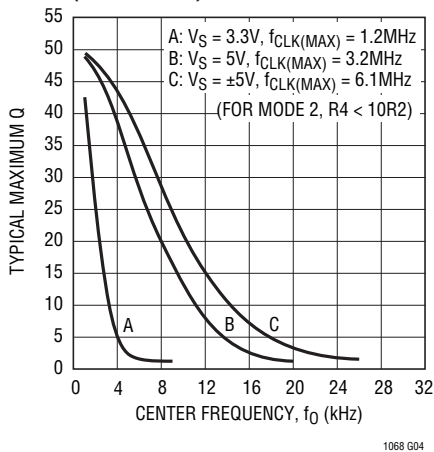
LTC1068
Maximum Q vs Center Frequency
(Modes 2, 3)



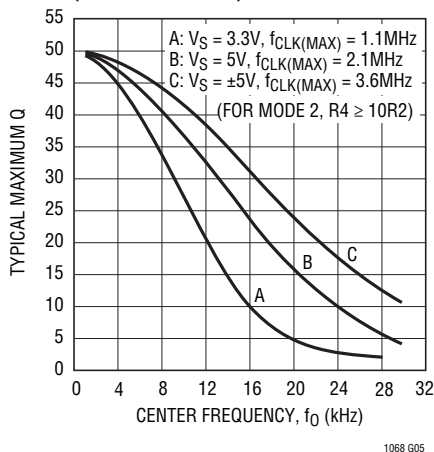
LTC1068-200
Maximum Q vs Center Frequency
(Modes 1, 1b, 2)



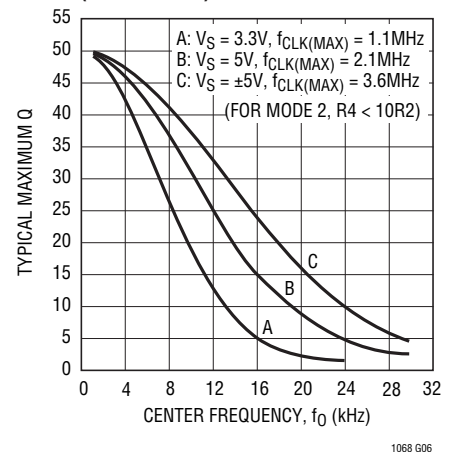
LTC1068-200
Maximum Q vs Center Frequency
(Modes 2, 3)



LTC1068-50
Maximum Q vs Center Frequency
(Modes 1, 1b, 2)



LTC1068-50
Maximum Q vs Center Frequency
(Modes 2, 3)



TYPICAL PERFORMANCE CHARACTERISTICS

LTC1068-25
Maximum Q vs Center Frequency
(Modes 1, 1b, 2)



1068 G07

LTC1068-25
Maximum Q vs Center Frequency
(Modes 2, 3)



1068 G08

LTC1068 Center Frequency
Variation vs Clock Frequency



1068 G09

LTC1068-200 Center Frequency
Variation vs Clock Frequency



1068 G10

LTC1068-50 Center Frequency
Variation vs Clock Frequency



1068 G11

LTC1068-25 Center Frequency
Variation vs Clock Frequency



1068 G12

LTC1068/LTC1068-200
Noise vs Q



1068 G13

LTC1068-50 Noise vs Q



1068 G14

LTC1068-25 Noise vs Q



1068 G15

1068fc

TYPICAL PERFORMANCE CHARACTERISTICS

**Noise Increase vs R2/R4 Ratio
(Mode 3)**



1068 G16

**Noise Increase vs R5/R6 Ratio
(Mode 1b)**



1068 G17

**LTC1068/LTC1068-200/
LTC1068-25 Power Supply
Current vs Power Supply**



1068 G18

**LTC1068-50 Power Supply
Current vs Power Supply**



1068 G19

PIN FUNCTIONS

Power Supply Pins

The V^+ and V^- pins should each be bypassed with a $0.1\mu\text{F}$ capacitor to an adequate analog ground. The filter's power supplies should be isolated from other digital or high voltage analog supplies. A low noise linear supply is recommended. Using a switching power supply will lower the signal-to-noise ratio of the filter. Figures 1 and 2 show typical connections for dual and single supply operation.

Analog Ground Pin

The filter's performance depends on the quality of the analog signal ground. For either dual or single supply operation, an analog ground plane surrounding the package is recommended. The analog ground plane should be connected to any digital ground at a single point. For single supply operation, AGND should be bypassed to the analog ground plane with at least a $0.47\mu\text{F}$ capacitor (Figure 2).

Two internal resistors bias the analog ground pin. For the LTC1068, LTC1068-200 and LTC1068-25, the voltage at the analog ground pin (AGND) for single supply is $0.5 \times V^+$ and for the LTC1068-50 it is $0.435 \times V^+$.

Clock Input Pin

Any TTL or CMOS clock source with a square-wave output and 50% duty cycle ($\pm 10\%$) is an adequate clock source for the device. The power supply for the clock source should not be the filter's power supply. The analog ground for the filter should be connected to clock's ground at a single point only. Table 2 shows the clock's low and high level threshold values for dual or single supply operation.

Table 2. Clock Source High and Low Threshold Levels

| POWER SUPPLY | HIGH LEVEL | LOW LEVEL |
|-------------------------------|---------------------|---------------------|
| Dual Supply = $\pm 5\text{V}$ | $\geq 1.53\text{V}$ | $\leq 0.53\text{V}$ |
| Single Supply = 5V | $\geq 1.53\text{V}$ | $\leq 0.53\text{V}$ |
| Single Supply = 3.3V | $\geq 1.20\text{V}$ | $\leq 0.53\text{V}$ |

A pulsed generator can be used as a clock source provided the high level ON time is at least 25% of the pulse period. Sine waves are not recommended for clock input frequencies less than 100kHz , since excessively slow clock rise or fall times generate internal clock jitter (maximum clock rise or fall time $\leq 1\mu\text{s}$). The clock signal should be routed from the right side of the IC package and perpendicular to it to avoid coupling to any input or output analog signal



Figure 1. Dual Supply Ground Plane Connections



Figure 2. Single Supply Ground Plane Connections

PIN FUNCTIONS

path. A 200Ω resistor between clock source and Pin 11 will slow down the rise and fall times of the clock to further reduce charge coupling (Figures 1 and 2).

Output Pins

Each 2nd order section of an LTC1068 device has three outputs that typically source 17mA and sink 6mA. Driving coaxial cables or resistive loads less than 20k will degrade the total harmonic distortion performance of any filter design. When evaluating the distortion or noise performance of a particular filter design implemented with a LTC1068 device, the final output of the filter should be buffered with a wideband, noninverting high slew rate amplifier (Figure 3).

Inverting Input Pins

These pins are the inverting inputs of internal op amps and are susceptible to stray capacitive coupling from low impedance signal outputs and power supply lines.



Figure 3. Wideband Buffer

In a printed circuit layout any signal trace, clock source trace or power supply trace should be at least 0.1 inches away from any inverting input pins

Summing Input Pins

These are voltage input pins. If used, they should be driven with a source impedance below 5k. When they are not used, they should be tied to the analog ground pin.

The summing pin connections determine the circuit topology (mode) of each 2nd order section. Please refer to Modes of Operation.

BLOCK DIAGRAM



| DEVICE | R _A | R _B |
|-------------|----------------|----------------|
| LTC1068 | | |
| LTC1068-200 | 10k | 10k |
| LTC1068-25 | | |
| LTC1068-50 | 11.3k | 8.6k |

*THE RATIO R_A/R_B VARIES ±2%



1068 BD

MODES OF OPERATION

Linear Technology's universal switched-capacitor filters are designed for a fixed internal, nominal f_{CLK}/f_0 ratio. The f_{CLK}/f_0 ratio is 100 for the LTC1068, 200 for the LTC1068-200, 50 for the LTC1068-50 and 25 for the LTC1068-25. Filter designs often require the f_{CLK}/f_0 ratio of each section to be different from the nominal ratio and in most cases different from each other. Ratios other than the nominal value are possible with external resistors. Operating modes use external resistors, connected in different arrangements to realize different f_{CLK}/f_0 ratios. By choosing the proper mode, the f_{CLK}/f_0 ratio can be increased or decreased from the part's nominal ratio.

The choice of operating mode also effects the transfer function at the HP/N pins. The LP and BP pins always give the lowpass and bandpass transfer functions respectively, regardless of the mode utilized. The HP/N pins have a different transfer function depending on the mode used. Mode 1 yields a notch transfer function. Mode 3 yields a highpass transfer function. Mode 2 yields a highpass notch transfer function (i.e., a highpass with a stopband notch). More complex transfer functions, such as lowpass notch, allpass or complex zeros, are achieved by summing two or more of the LP, BP or HP/N outputs. This is illustrated in sections Mode 2n and Mode 3a.

Choosing the proper mode(s) for a particular application is not trivial and involves much more than just adjusting the f_{CLK}/f_0 ratio. Listed here are four of the nearly twenty modes available. To make the design process simpler and quicker, Linear Technology has developed the FilterCAD for Widows design software. FilterCAD is an easy-to-use, powerful and interactive filter design program. The designer can enter a few filter specifications and the program produces a full schematic. FilterCAD allows the designer to concentrate on the filter's transfer function and not get bogged down in the details of the design. Alternatively, those who have experience with the Linear Technology family of parts can control all of the details themselves. For a complete listing of all the operating modes, consult the appendices of the FilterCAD manual or the Help files in FilterCAD. FilterCAD can be obtained free of charge on the Linear Technology web site (www.linear.com) or you can order the FilterCAD CD-ROM by contacting Linear Technology Marketing.

Mode 1

In Mode 1, the ratio of the external clock frequency to the center frequency of each 2nd order section is internally fixed at the part's nominal ratio. Figure 4 illustrates Mode 1 providing 2nd order notch, lowpass and bandpass outputs. Mode 1 can be used to make high order Butterworth lowpass filters; it can also be used to make low Q notches and for cascading 2nd order bandpass functions tuned at the same center frequency. Mode 1 is faster than Mode 3.

Please refer to the Operating Limits paragraph under Applications Information for a guide to the use of capacitor C_C .



Figure 4. Mode 1, 2nd Order Filter Providing Notch, Bandpassing and Lowpass Outputs

Mode 1b

Mode 1b is derived from Mode 1. In Mode 1b (Figure 5) two additional resistors R_5 and R_6 are added to lower the amount of voltage fed back from the lowpass output into the input of the SA (or SB) switched-capacitor summer. This allows the filter's clock-to-center frequency ratio to be adjusted beyond the part's nominal ratio. Mode 1b maintains the speed advantages of Mode 1 and should be considered an optimum mode for high Q designs with f_{CLK} to f_{CUTOFF} (or f_{CENTER}) ratios greater than the part's nominal ratio.

The parallel combination of R_5 and R_6 should be kept below 5k.

Please refer to the Operating Limits paragraph under Applications Information for a guide to the use of capacitor C_C .

1068fc

MODES OF OPERATION



Figure 5. Mode 1b, 2nd Order Filter Providing Notch, Bandpass and Lowpass Outputs



Figure 6. Mode 3, 2nd Order Section Providing Highpass, Bandpass and Lowpass Outputs

Mode 3

In Mode 3, the ratio of the external clock frequency to the center frequency of each 2nd order section can be adjusted above or below the parts nominal ratio. Figure 6 illustrates Mode 3, the classical state variable configuration, providing highpass, bandpass and lowpass 2nd order filter functions. Mode 3 is slower than Mode 1. Mode 3 can be used to make high order all-pole bandpass, lowpass and highpass filters.

Please refer to the Operating Limits paragraph under Applications Information for a guide to the use of capacitor C_C .

Mode 2

Mode 2 is a combination of Mode 1 and Mode 3, shown in Figure 7. With Mode 2, the clock-to-center frequency ratio, f_{CLK}/f_0 , is always less than the part's nominal ratio. The advantage of Mode 2 is that it provides less sensitivity to resistor tolerances than does Mode 3. Mode 2 has a highpass notch output where the notch frequency depends solely on the clock frequency and is therefore less than the center frequency, f_0 .

Please refer to the Operating Limits paragraph under Applications Information for a guide to the use of capacitor C_C .



Figure 7. Mode 2, 2nd Order Filter Providing Highpass Notch, Bandpass and Lowpass Outputs

APPLICATIONS INFORMATION

Operating Limits

The Maximum Q vs Center Frequency (f_0) graphs, under Typical Performance Characteristics, define an upper limit of operating Q for each LTC1068 device 2nd order section. These graphs indicate the power supply, f_0 and Q value conditions under which a filter implemented with an LTC1068 device will remain stable when operated at temperatures of 70°C or less. For a 2nd order section, a bandpass gain error of 3dB or less is arbitrarily defined as a condition for stability.

When the passband gain error begins to exceed 1dB, the use of capacitor C_C will reduce the gain error (capacitor C_C is connected from the lowpass node to the inverting node of a 2nd order section). Please refer to Figures 4 through 7. The value of C_C can be best determined experimentally, and as a guide it should be about 5pF for each 1dB of gain error and not to exceed 15pF. When operating an LTC1068 device near the limits defined by the Maximum Q vs Frequency graphs, passband gain variations of 2dB or more should be expected.

Clock Feedthrough

Clock feedthrough is defined as the RMS value of the clock frequency and its harmonics that are present at the filter's output pins. The clock feedthrough is tested with the filter's input grounded and depends on PC board layout and on the value of the power supplies. With proper layout techniques, the typical values of clock feedthrough are listed under Electrical Characteristics.

Any parasitic switching transients during the rising and falling edges of the incoming clock are not part of the clock feedthrough specifications. Switching transients have frequency contents much higher than the applied clock; their amplitude strongly depends on scope probing techniques as well as grounding and power supply bypassing. The clock feedthrough, can be greatly reduced by adding a simple RC lowpass network at the final filter output. This RC will completely eliminate any switching transients.

Wideband Noise

The wideband noise of the filter is the total RMS value of the device's noise spectral density and is used to determine

the operating signal-to-noise ratio. Most of its frequency contents lie within the filter passband and cannot be reduced with post filtering. For a notch filter the noise of the filter is centered at the notch frequency.

The total wideband noise (μV_{RMS}) is nearly independent of the value of the clock. The clock feedthrough specifications are not part of the wideband noise.

For a specific filter design, the total noise depends on the Q of each section and the cascade sequence. Please refer to the Noise vs Q graphs under the Typical Performance Characteristics.

Aliasing

Aliasing is an inherent phenomenon of switched-capacitor filters and occurs when the frequency of the input signals that produce the strongest aliased components have a frequency, f_{IN} , such as $(f_{\text{SAMPLING}} - f_{\text{IN}})$ that falls into the filter's passband. For an LTC1068 device the sampling frequency is twice f_{CLK} . If the input signal spectrum is not band-limited, aliasing may occur.

Demonstration Circuit 104

DC104 is a surface mount printed circuit board for the evaluation of Linear Technology's LTC1068 product family in a 28-lead SSOP package. The LTC1068 product family consists of four monolithic clock-tunable filter building blocks.

Demo Board 104 is available in four assembled versions: Assembly 104-A features the low noise LTC1068CG (clock-to-center frequency ratio = 100), assembly 104-B features the low noise LTC1068-200CG (clock-to-center frequency ratio = 200), assembly 104-C features the high frequency LTC1068-25CG (clock-to-center frequency ratio = 25) and assembly 104-D features the low power LTC1068-50CG (clock-to-center frequency ratio = 50).

All DC104 boards are assembled with input, output and power supply test terminals, a 28-lead SSOP filter device (LTC1068CG Series), a dual op amp in an SO-8 for input or output buffers and decoupling capacitors for the filter and op amps. The filter and dual op amps share the power

APPLICATIONS INFORMATION

supply inputs to the board. Jumpers JPA to JPD on the board configure the filter's second order circuit modes, jumper JP1 configures the filter for dual or single supply operation and jumpers JP2 (A-D) to JP3 (A-D) configure the op amp buffers as inverting or noninverting. Surface mount pads are available on the board for 1206 size sur-

face mount resistors. The printed circuit layout of DC104 is arranged so that most of the resistor connections for one 8th order filter or two 4th order filters are available on the board. A resistor makes a connection between two filter nodes on the board and for most filter designs, no wiring is required.

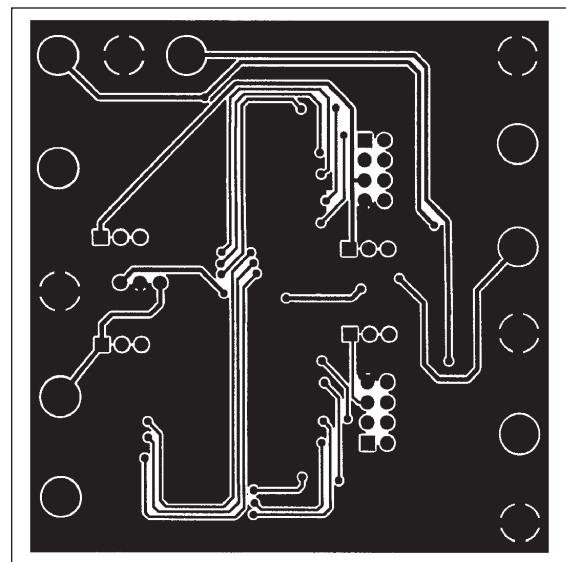
DC104 Component Side Silkscreen



DC104 Component Side



DC104 Solder Side



APPLICATIONS INFORMATION

DC104 Schematic



| BUFFERS CONFIGURATION | U2A | | | | U2B | | | | | |
|--|-----------------|-------|-------|-------|-------|-----------------|-------|-------|-------|-------|
| | R _{g2} | JP2A | JP2B | JP2C | JP2D | R _{g1} | JP3A | JP3B | JP3C | JP3D |
| ASSEMBLED AS NONINVERTING BUFFER DUAL SUPPLY | SHORT | OPEN | SHORT | OPEN | OPEN | SHORT | OPEN | SHORT | OPEN | OPEN |
| INVERTING BUFFER DUAL SUPPLY | RES | SHORT | OPEN | OPEN | SHORT | RES | SHORT | OPEN | OPEN | SHORT |
| NONINVERTING BUFFER SINGLE SUPPLY | SHORT | OPEN | SHORT | OPEN | OPEN | SHORT | OPEN | SHORT | OPEN | OPEN |
| FOR NONINVERTING BUFFER SINGLE SUPPLY | RES | SHORT | OPEN | SHORT | OPEN | RES | SHORT | OPEN | SHORT | OPEN |

| DEMO BOARD | U1 | U2 |
|------------|---------------|--------|
| DC104B-A | LTC1068CG | LT1211 |
| DC104B-B | LTC1068-200CG | LT1211 |
| DC104B-C | LTC1068-250CG | LT1213 |
| DC104B-D | LTC1068-500CG | LT1498 |

1068 F002

APPLICATIONS INFORMATION

A Surface Mount Printed Circuit Layout

A very compact surface mount printed circuit layout can be designed with 0603 size surface mount resistors, capacitors and a 28-pin SSOP of the LTC1068 product family. An example of a printed circuit layout is shown

in the following figures for an 8th order elliptic bandpass filter. The total board area of this 8th order filter is 1" by 0.8". No attempt was made to design the smallest possible printed circuit layout.

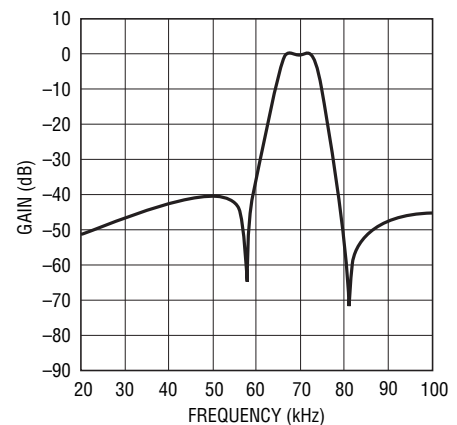
70kHz Elliptic Bandpass Filter, $f_{CENTER} = f_{CLK}/25$ (Maximum f_{CENTER} is 80kHz, $V_S = \pm 5V$)



FilterCAD Custom Inputs for $f_C = 70kHz$

| 2nd ORDER SECTION | f_0 (kHz) | Q | f_N (kHz) | TYPE | MODE |
|-------------------|-------------|---------|-------------|------|------|
| B | 67.7624 | 5.7236 | 58.3011 | HPN | 2b |
| C | 67.0851 | 20.5500 | 81.6810 | LPN | 1bn |
| A | 73.9324 | 15.1339 | 81.0295 | LPN | 2n |
| D | 73.3547 | 16.3491 | | BP | 2b |

Gain vs Frequency



1068 TA05

APPLICATIONS INFORMATION

**Surface Mount Components
(Board Area = 1" × 0.8")**



1068 TA06

Component Side



1068 TA07

Solder Side



1068 TA08

TYPICAL APPLICATIONS

LTC1068-200 8th Order Linear Phase Lowpass, $f_{CUTOFF} = f_{CLK}/400$
for Ultralow Frequency Applications



FilterCAD Custom Inputs for $f_c = 1\text{Hz}$

| 2nd ORDER SECTION | f_0 (kHz) | Q | Q_N | TYPE | MODE |
|-------------------|-------------|--------|--------|------|------|
| B | 1.7947 | 0.7347 | | LP | 3 |
| C | 1.6002 | 0.5195 | | LP | 1b |
| A | 1.7961 | 1.1369 | 1.0159 | LPBP | 3s |
| D | 1.6070 | 0.5217 | | LP | 1b |

TYPICAL APPLICATIONS

LTC1068-50 8th Order Linear Phase Lowpass, $f_{CUTOFF} = f_{CLK}/50$ for Single Supply Low Power Applications. Maximum f_{CUTOFF} is 20kHz with a 3.3V Supply and 40kHz with a 5V Supply

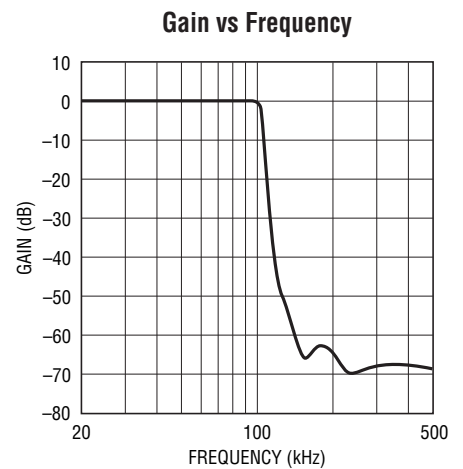
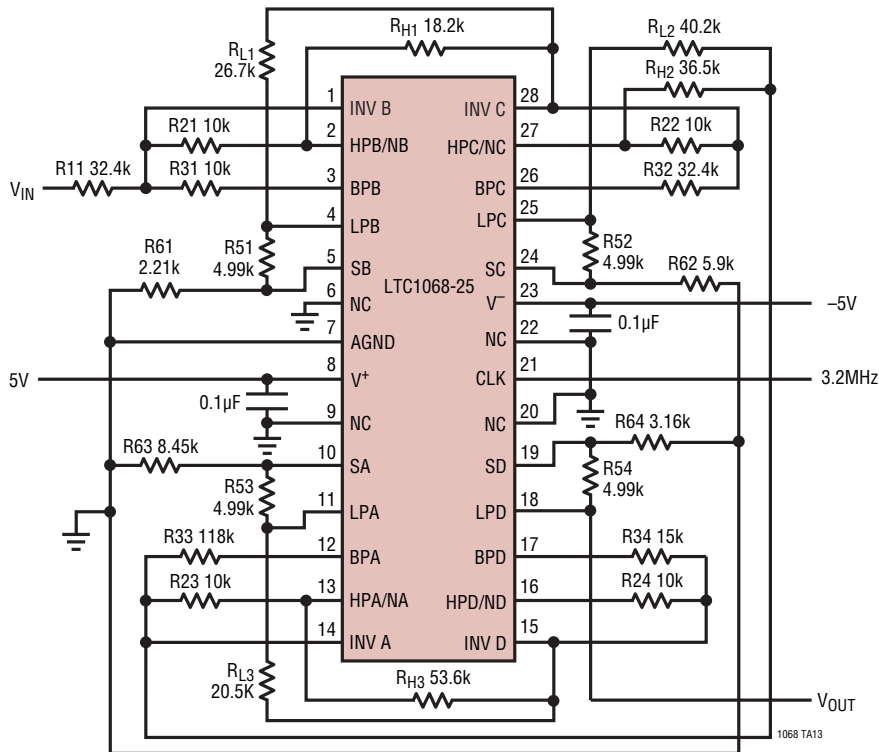


FilterCAD Custom Inputs for $f_c = 10\text{kHz}$

| 2nd ORDER SECTION | f_0 (kHz) | Q | f_N (kHz) | Q_N | TYPE | MODE |
|-------------------|-------------|--------|-------------|--------|------|------|
| B | 9.5241 | 0.5248 | | 0.5248 | AP | 4a3 |
| C | 11.0472 | 1.1258 | 21.7724 | | LPN | 2n |
| A | 11.0441 | 1.3392 | | 1.5781 | LPBP | 2s |
| D | 6.9687 | 0.6082 | | | LP | 3 |

TYPICAL APPLICATIONS

LTC1068-25 8th Order Lowpass, $f_{CUTOFF} = f_{CLK}/32$,
 Attenuation -50dB at $(1.25) (f_{CUTOFF})$ and -60dB at
 $(1.5)(f_{CUTOFF})$. Maximum $f_{CUTOFF} = 120\text{kHz}$



1068 TA14

FilterCAD Custom Inputs for $f_c = 100\text{kHz}$

| 2nd ORDER SECTION | f_0 (kHz) | Q | f_N (kHz) | TYPE | MODE |
|-------------------|-------------|--------|-------------|------|------|
| B | 70.9153 | 0.5540 | 127.2678 | LPN | 1bn |
| C | 94.2154 | 2.3848 | 154.1187 | LPN | 1bn |
| A | 101.4936 | 9.3564 | 230.5192 | LPN | 1bn |
| D | 79.7030 | 0.9340 | | LP | 1b |

TYPICAL APPLICATIONS

LTC1068 8th Order Linear Phase Bandpass, $f_{CENTER} = f_{CLK}/128$,
 Passband $-3dB$ at $(0.88)(f_{CENTER})$ and $(1.12)(f_{CENTER})$. Maximum
 $f_{CENTER} = 40kHz$ with $\pm 5V$ Supplies



24-Lead Package

Gain vs Frequency



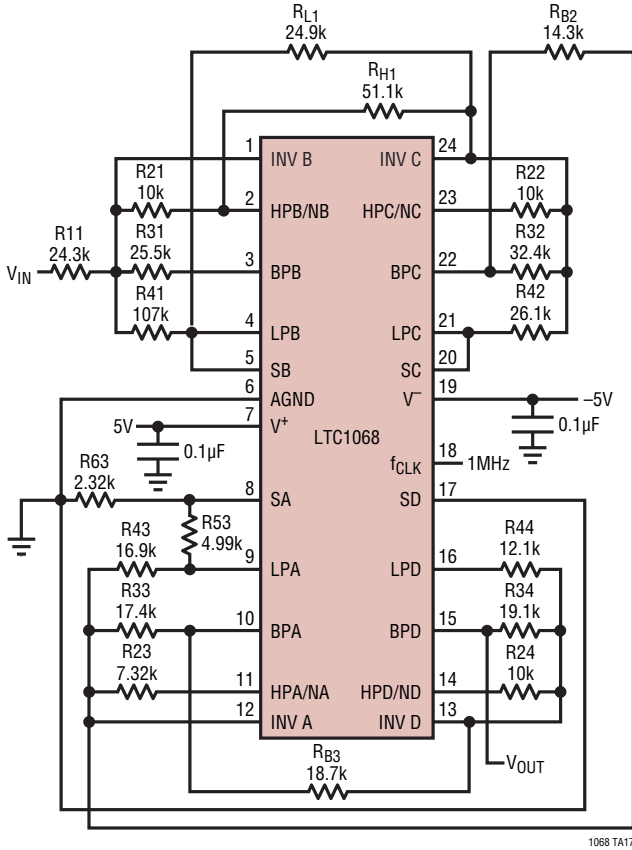
1068 TA16

FilterCAD Custom Inputs for $f_c = 10kHz$

| 2nd ORDER SECTION | f_0 (kHz) | Q | f_N (kHz) | TYPE | MODE |
|-------------------|-------------|--------|-------------|------|------|
| B | 8.2199 | 2.6702 | 4.4025 | HPN | 3a |
| C | 9.9188 | 3.3388 | | BP | 1b |
| A | 8.7411 | 2.1125 | 21.1672 | LPN | 3a |
| D | 11.3122 | 5.0830 | | BP | 1b |

TYPICAL APPLICATIONS

LTC1068 8th Order Linear Phase Bandpass, $f_{CENTER} = f_{CLK}/100$,
 Passband $-3dB$ at $(0.88)(f_{CENTER})$ and $(1.12)(f_{CENTER})$. Maximum
 $f_{CENTER} = 50kHz$ with $\pm 5V$ Supplies



24-Lead Package

FilterCAD Custom Inputs for $f_c = 10kHz$

| 2nd ORDER SECTION | f_0 (kHz) | Q | f_N (kHz) | TYPE | MODE |
|-------------------|-------------|--------|-------------|------|------|
| B | 10.4569 | 2.6999 | 17.4706 | LPN | 2n |
| C | 11.7607 | 3.9841 | | BP | 2 |
| A | 8.6632 | 2.1384 | | BP | 2b |
| D | 9.0909 | 1.8356 | | BP | 3 |

TYPICAL APPLICATIONS

LTC1068 8th Order Linear Phase Bandpass, $f_{\text{CENTER}} = f_{\text{CLK}}/100$,
 Passband -3dB at $(0.7)(f_{\text{CENTER}})$ and $(1.3)(f_{\text{CENTER}})$, Superior Sinewave
 Burst Response, Maximum $f_{\text{CENTER}} = 60\text{kHz}$ with $\pm 5\text{V}$ Supplies



1068 TA19

24-Lead Package



FilterCAD Custom Inputs for $f_c = 10\text{kHz}$

| 2nd ORDER SECTION | f_0 (kHz) | Q | f_N (kHz) | Q_N | TYPE | MODE |
|-------------------|-------------|--------|-------------|-------|------|------|
| B | 10.1389 | 0.7087 | 1.7779 | | HPN | 3a |
| C | 9.8654 | 0.5540 | 44.7214 | | LPN | 3a |
| A | 9.8830 | 0.5434 | 27.7227 | | LPN | 3a |
| D | 12.4097 | 1.5264 | | | BP | 3 |

TYPICAL APPLICATIONS

LTC1068-50 8th Order Linear Phase Bandpass, $f_{CENTER} = f_{CLK}/40$, Passband $-3dB$ at $(0.8)(f_{CENTER})$ and $(1.2)(f_{CENTER})$ for Single Supply Low Power Applications. Maximum $f_{CENTER} = 25kHz$ with a Single 5V Supply



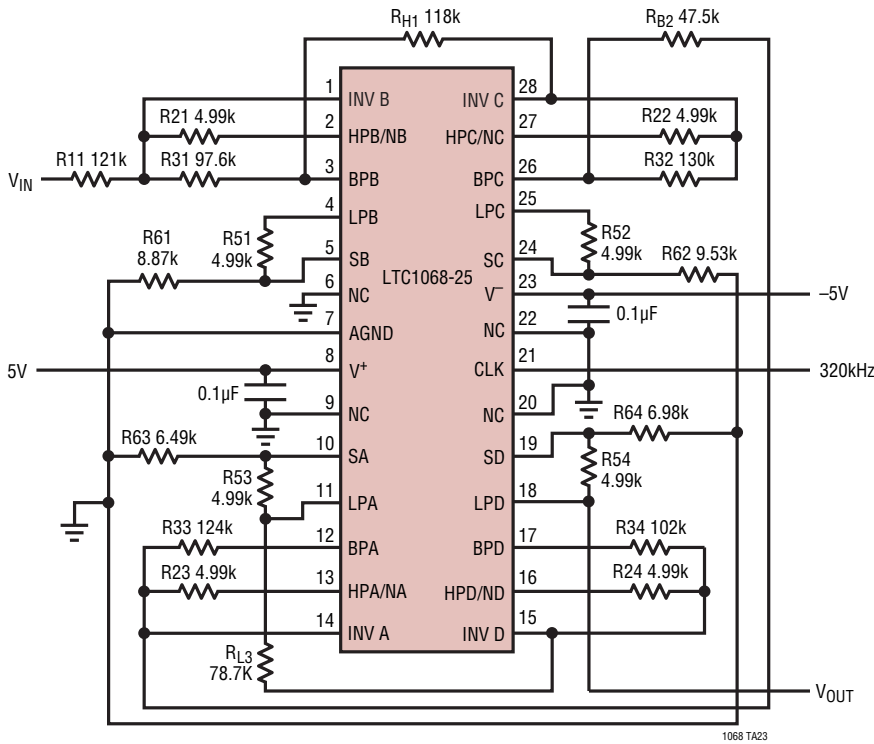
1068 TA22

FilterCAD Custom Inputs for $f_C = 10kHz$

| 2nd ORDER SECTION | f_0 (kHz) | Q | f_N (kHz) | TYPE | MODE |
|-------------------|-------------|--------|-------------|------|------|
| B | 8.7384 | 4.0091 | 4.0678 | HPN | 2b |
| C | 11.6756 | 4.6752 | 19.1786 | LPN | 2n |
| A | 10.8117 | 4.2066 | 16.0127 | LPN | 2n |
| D | 9.6415 | 3.6831 | | BP | 2 |

TYPICAL APPLICATIONS

LTC1068-25 8th Order Order Bandpass, $f_{CENTER} = f_{CLK}/32$,
 Passband $-3dB$ at $(0.965)(f_{CENTER})$ and $(1.35)(f_{CENTER})$.
 Maximum $f_{CENTER} = 80kHz$ with $\pm 5V$ Supplies



1068 TA24

FilterCAD Custom Inputs for $f_c = 10kHz$

| 2nd ORDER SECTION | f_0 (kHz) | Q | TYPE | MODE |
|-------------------|-------------|---------|------|------|
| B | 10.2398 | 15.6469 | BP | 1b |
| C | 10.3699 | 21.1060 | BP | 1b |
| A | 9.6241 | 18.6841 | LP | 1b |
| D | 9.7744 | 15.6092 | LP | 1b |

TYPICAL APPLICATIONS

LTC1068-200 8th Order Highpass, $f_{CENTER} = f_{CLK}/200$,
 Attenuation $-60dB$ at $(0.6)(f_{CENTER})$.
 Maximum $f_{CUTOFF} = 20kHz$ with $\pm 5V$ Supplies



FilterCAD Custom Inputs for $f_c = 1kHz$

| 2nd ORDER SECTION | f_0 (kHz) | Q | f_N (kHz) | TYPE | MODE |
|-------------------|-------------|--------|-------------|------|------|
| B | 0.9407 | 1.5964 | 0.4212 | HPN | 3a |
| C | 1.0723 | 0.5156 | 0.2869 | HPN | 3a |
| A | 0.9088 | 3.4293 | 0.5815 | HPN | 2b |
| D | 0.9880 | 0.7001 | 0.0000 | HP | 3 |

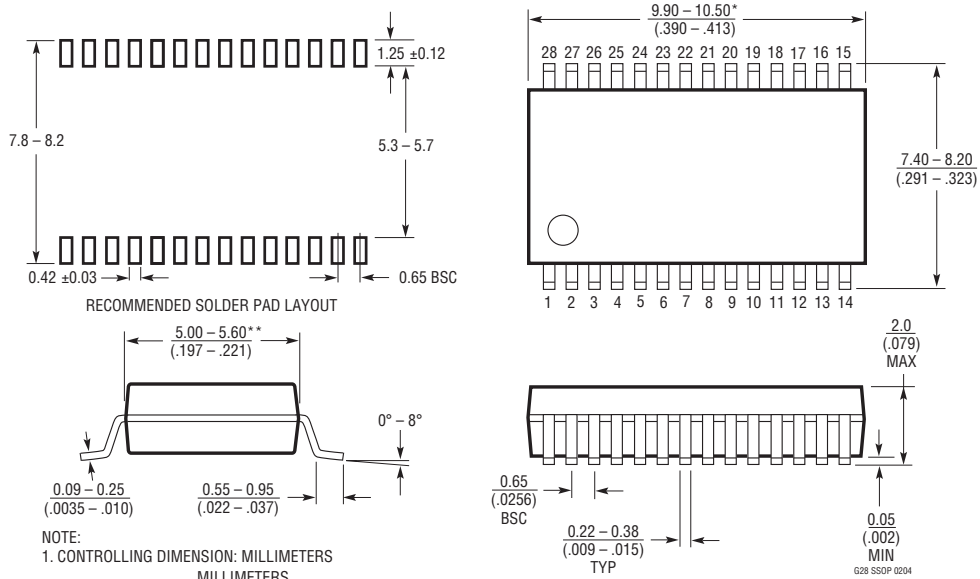
LTC1068 Series

PACKAGE DESCRIPTION

Please refer to <http://www.linear.com/designtools/packaging/> for the most recent package drawings.

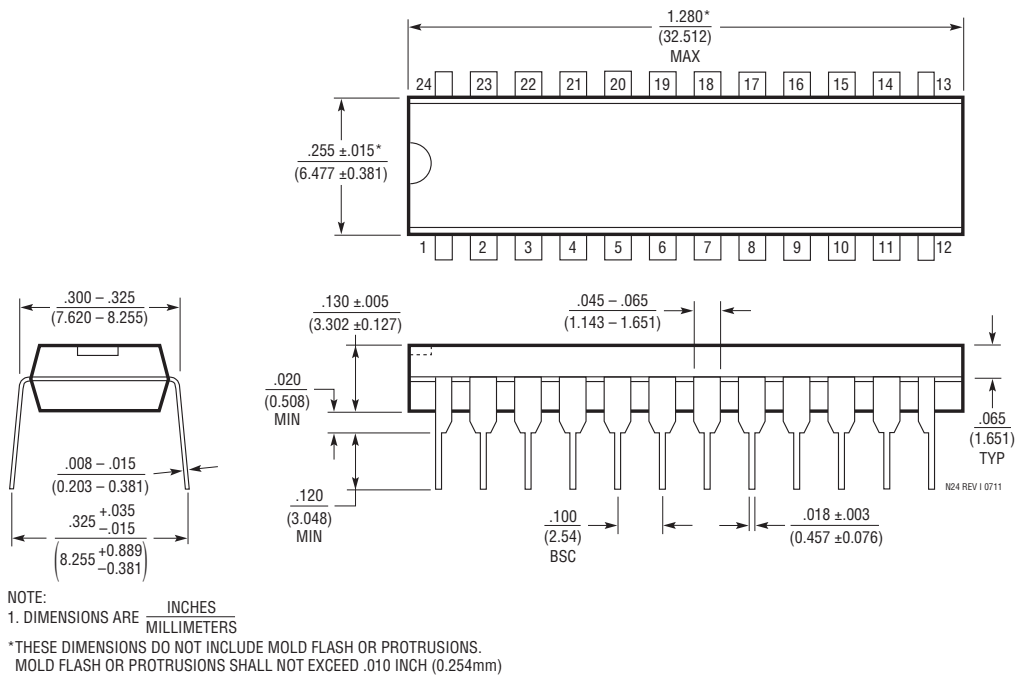
G Package 28-Lead Plastic SSOP (5.3mm)

(Reference LTC DWG # 05-08-1640)



N Package 24-Lead PDIP (Narrow .300 Inch)

(Reference LTC DWG # 05-08-1510 Rev I)



REVISION HISTORY (Revision history begins at Rev C)

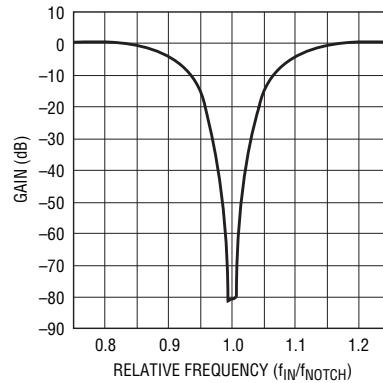
| REV | DATE | DESCRIPTION | PAGE NUMBER |
|-----|-------|--|-------------|
| C | 10/12 | Correction to Electrical Characteristics table to identify characteristics of LTC1068-50 | 5 |

TYPICAL APPLICATION

LTC1068-200 8th Order Notch, $f_{\text{NOTCH}} = f_{\text{CLK}}/256$, $f - 3\text{dB}$ at $(0.9)(f_{\text{NOTCH}})$ and $(1.05)(f_{\text{NOTCH}})$, Attenuation at f_{NOTCH} Greater Than 70dB for f_{NOTCH} in the Frequency Range 200Hz to 5kHz



Gain vs Frequency



RELATED PARTS

| PART NUMBER | DESCRIPTION | COMMENTS |
|--------------------|---|---|
| LTC1064 | Universal Filter, Quad 2nd Order | 50:1 and 100:1 Clock-to- f_0 Ratios, f_0 to 100kHz, $V_S =$ Up to $\pm 7.5\text{V}$ |
| LTC1067/LTC1067-50 | Low Power, Dual 2nd Order | Rail-to-Rail, $V_S = 3\text{V}$ to $\pm 5\text{V}$ |
| LTC1164 | Low Power Universal Filter, Quad 2nd Order | 50:1 and 100:1 Clock-to- f_0 Ratios, f_0 to 20kHz, $V_S =$ Up to $\pm 7.5\text{V}$ |
| LTC1264 | High Speed Universal Filter, Quad 2nd Order | 20:1 Clock-to- f_0 Ratio, f_0 to 200kHz, $V_S =$ Up to $\pm 7.5\text{V}$ |