



RADIALL[®]
Fibre Optic Components

TECHNICAL DATA SHEET

F 709 023 XXX

Titre: ST2 MULTIMODE PLUG $\varnothing 128 \mu\text{m}$ CERAMIC FERRULE CABLE $\varnothing 2.7$ to 3

Series
F709

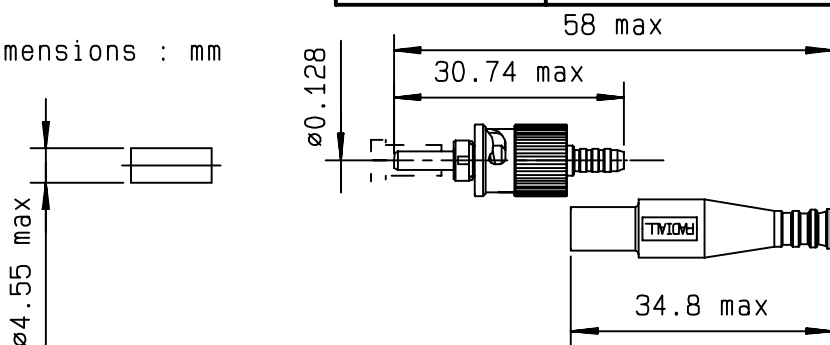
Issue:
03-17-99

Page
1/1

| | | |
|-------------|--------------|----------------------|
| PACKAGING : | SINGLE | F 709 023 000 |
| | PACK OF 100 | F 709 023 200 |
| | PACK OF 1000 | F 709 023 201 |

mm to inch : 0.03937

Dimensions : mm



- BOOT :**
- COLOUR BLACK
 - INFLAMMABILITY : V1 (UL94)
 - MATERIAL IN ACCORDANCE WITH BELLCORE GR 326 CORE Issue 2, par. 3.3.1
- BODY :**
- BRASS
 - NICKEL PLATED

GENERAL

- TYPE :**
- IEC 1754-2 Type BFOC/2.5 - "ST2"
 - Ceramic Zirconia ferrule 20 mm pre-radius
 - Bayonet latching system
- FIBRE :** - Multimode 62.5/125
- CABLE :** - Cable $\varnothing 2.7$ to 3 mm (Hex. 3.84)
- WIRING :** ASSEMBLY PROCEDURE 503 08 390
- For a tight cable $\varnothing 2$ with aramid strength member and a coated fiber $\varnothing 0.9$:
----- See procedure F709PC02
 - For a loose cable $\varnothing 3$ with aramid strength member, a tube $\varnothing 0.6/1$ and a coated fiber $\varnothing 0.25$:-----See procedure F709PC30

CHARACTERISTICS

(Depending on fibre or cable construction)

- OPTICAL:** Typical insertion loss (IEC 1300-3-4, Methode B or CECC 86000 Methode 7) with adaptor F709730000 at 850 nm (LED).
- Typical : 0.25 dB
 - Standard deviation : 0.08 dB
 - Reproducibility ; 0.05 dB
- Return loss (IEC 61300-3-6 Methode B or CECC Methode 3, OTDR) :
- >30 dB (PC)
- MECHANICAL :**
- Mating life : 500 mating cycles
 - Fibre retention : 5 N
 - Cable retention : 100 N
 - Vibrations : 10-55Hz, 1.5 mm
- ENVIRONMENTAL:-** Climatic category : 25/70/4 0.2 dB

CREATION

N° : EPF 9752
Name : CAUSSE C
Date : 10-23-98
Verif.: VALENCIA

| | | | |
|----------|------------------------------|----------|----------|
| 06/04/00 | Change of protective cap | Lahera R | |
| 03-17-99 | ASSEMBLY PROCEDURE REFERENCE | VALENCIA | |
| 10-23-98 | First issue | VALENCIA | |
| Issue | Revisions | Name | Approved |