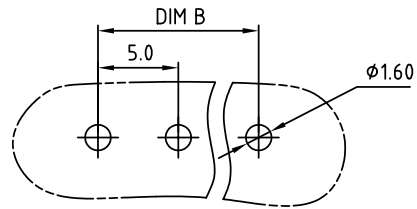
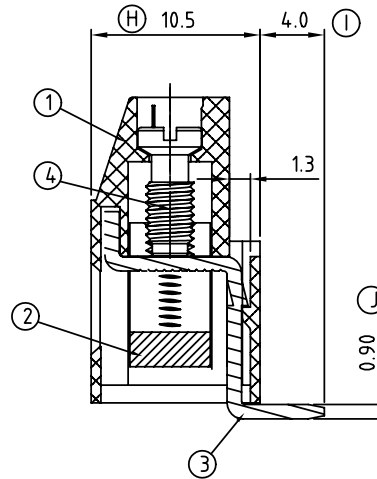
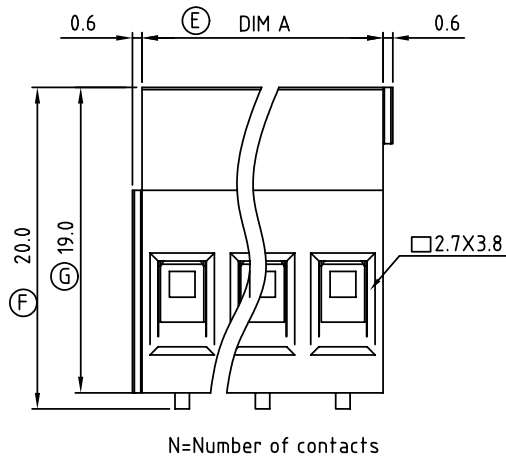


Dimension A&B

DIM A	N×5.0
DIM B	(N-1)×5.0

N=Number of contacts

Poles	A&B Tolerance
4P-8P	±0.15
9P-14P	±0.25
15P-20P	±0.35
21P-24P	±0.40



P.C.B LAYOUT

SIGN	DATE	DESCRIPTION	APPROVER
△	10/26'09	Wire guard solder pin is Changed from Brass to Copper	Aaron
△	11/09'10	Add is " VDE "	Aaron
△			

THIS IS CAD DRAWING, DO NOT REVISE MANUALLY!!!

Material:

- Item 1 Terminal housing:Thermoplastic (UL 94V-0)
- Item 2 Clamp: Brass Ni plated
- △ ● Item 3 Wire guard solder pin:Copper Tin plated
- Item 4 Terminal screw: Steel Zinc plating"-slot type

△ Electrical cULus VDE

- Voltage rating: 300VAC 450V
- Current rating: 20A 24A
- Wire range : 0.2-2.5mm²
- Solid wire(AWG): 12-30
- Stranded wire(AWG): 12-30
- Torque(Lb-In): 3.5 0.5 N.m
- Screw: M3
- Wire strip length: 6-7mm
- Withstanding Voltage: 1.6KV 2.5KV
- Operating temperature: -40°C to +115°C
- Soldering temperature: 250°C±10°C/5 Sec
- Safety Approval:

VJ xx 01 x 3 xxxx G

No. of poles	Color	RoHS
04 4 CONTACTS	0 Black (RAL9005)	Pb<40,000ppm
05 5 CONTACTS	2 Red (RAL3001/D)	0000:"@"Logo (Standard)
...	3 Orange(RAL2011/P)	000A:"ANYTEK"Logo
...	4 Yellow(RAL1018/A)	Any special item by customer request,
24 24 CONTACTS	5 Green(RAL6018/T)	please contact sales department.
	6 Blue (RAL5015/A)	
	8 Grey(RAL7035/D)	

ANYTEK

CUSTOMER COPY

ALL RIGHTS RESERVED. REPRODUCTION OR ISSUE TO THIRD PARTIES IN ANY FORM WHATSOEVER IS NOT PERMITTED WITHOUT WRITTEN AUTHORITY FROM THE PROPRIETOR. PROPERTY OF ANYTEK TECHNOLOGY CO., LTD

TITLE		VJ-5.0 Series 4P-24P Vertical solid block (90D wire inlet)		
PART NO.	VJxx01x3xxxxG	DWG NO.	8VJ0044	
APPROVED	CHECKED	DESIGNED	DRAWN	CUST NO.
		Aaron 2010.11.09	Aaron 2009.09.09	
				Tolerance X. ±0.50 X.X ±0.30 X.XX ±0.10 X° ±1°
		SHEET: 01/01		UNIT: mm SCALE: NONE REV.: D