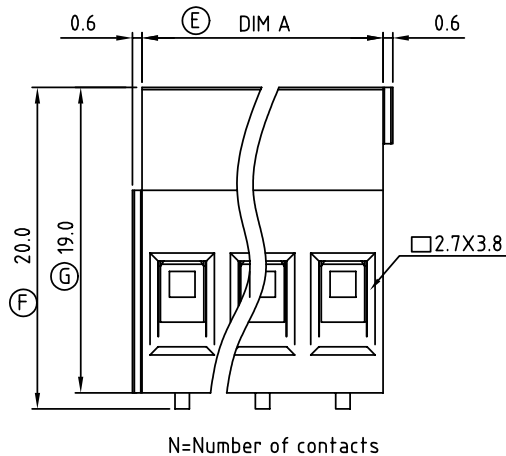


Dimension A&B

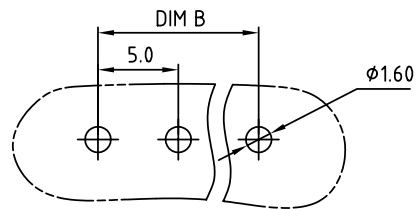
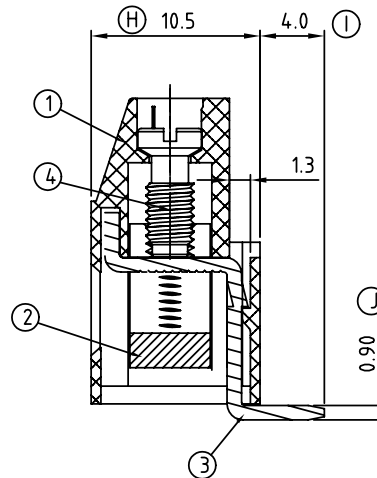
DIM A	N×5.0
DIM B	(N-1)×5.0

N=Number of contacts

Poles	A&B Tolerance
4P-8P	±0.15
9P-14P	±0.25
15P-20P	±0.35
21P-24P	±0.40



N=Number of contacts



P.C.B LAYOUT

SIGN	DATE	DESCRIPTION	APPROVER
△	10/26'09	Wire guard solder pin is Changed from Brass to Copper	Aaron
△	11/09'10	Add is " VDE "	Aaron
△			



**THIS IS CAD DRAWING, DO NOT REVISE MANUALLY!!!**

Material:

- Item 1 Terminal housing:Thermoplastic (UL 94V-0)
- Item 2 Clamp: Brass Ni plated
- △ ● Item 3 Wire guard solder pin:Copper Tin plated
- Item 4 Terminal screw: Steel Zinc plating"- "slot type

△ Electrical cULus

VDE

- Voltage rating: 300VAC 450V
- Current rating: 20A 24A
- Wire range : 0.2-2.5mm<sup>2</sup>
- Solid wire(AWG): 12-30
- Stranded wire(AWG): 12-30
- Torque(Lb-In): 3.5 0.5 N.m
- Screw: M3
- Wire strip length: 6-7mm
- Withstanding Voltage: 1.6KV 2.5KV
- Operating temperature: -40°C to +115°C
- Soldering temperature: 250°C±10°C/5 Sec
- Safety Approval:  

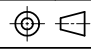
VJ xx 01 x 3 xxxx G

No. of poles	Color	RoHS
04 4 CONTACTS	0 Black (RAL9005)	Pb<40,000ppm
05 5 CONTACTS	2 Red (RAL3001/D)	0000:"@ "Logo (Standard )
...	3 Orange(RAL2011/P)	000A:"ANYTEK" Logo
...	4 Yellow(RAL1018/A)	Any special item by customer request,
24 24 CONTACTS	5 Green(RAL6018/T)	please contact sales department.
	6 Blue (RAL5015/A)	
	8 Grey(RAL7035/D)	

**ANYTEK**

**CUSTOMER COPY**

ALL RIGHTS RESERVED. REPRODUCTION OR ISSUE TO THIRD PARTIES IN ANY FORM WHATEVER IS NOT PERMITTED WITHOUT WRITTEN AUTHORITY FROM THE PROPRIETOR. PROPERTY OF ANYTEK TECHNOLOGY CO., LTD

TITLE	VJ-5.0 Series 4P-24P Vertical solid block ( 90D wire inlet )				DWG NO.	8VJ0044	
PART NO.	VJxx01x3xxxxG				CUST NO.		
APPROVED	CHECKED	DESIGNED	DRAWN				
		Aaron 2010.11.09	Aaron 2009.09.09				
				 UNIT: mm SCALE: NONE SHEET: 01/01 REV.: D		Tolerance X. ±0.50 X.X ±0.30 X.XX ±0.10 X° ±1°	