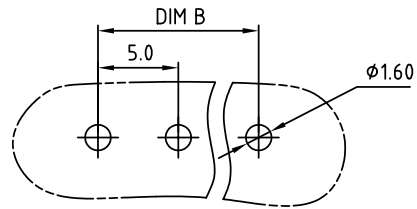
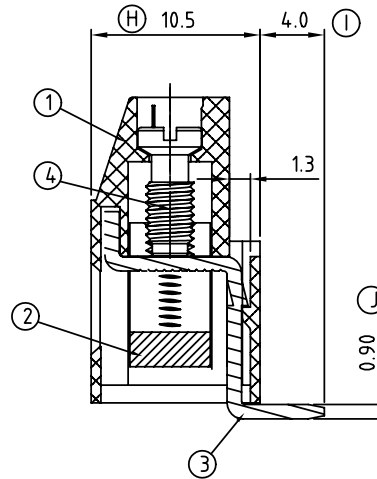
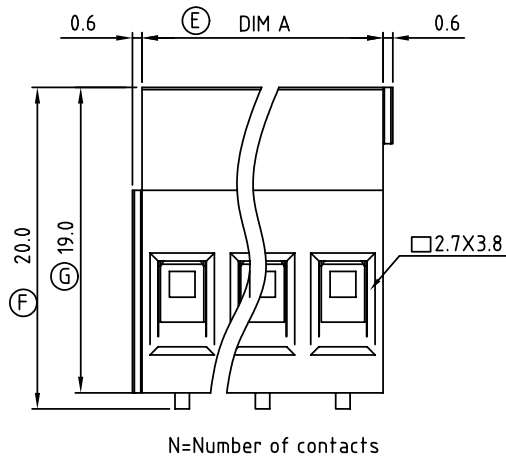


Dimension A&B

|       |           |
|-------|-----------|
| DIM A | N×5.0     |
| DIM B | (N-1)×5.0 |

N=Number of contacts

| Poles   | A&B Tolerance |
|---------|---------------|
| 4P-8P   | ±0.15         |
| 9P-14P  | ±0.25         |
| 15P-20P | ±0.35         |
| 21P-24P | ±0.40         |



P.C.B LAYOUT

| SIGN | DATE     | DESCRIPTION   | APPROVER |
|------|----------|---|----------|
| △    | 10/26'09 | Wire guard solder pin is Changed from Brass to Copper | Aaron    |
| △    | 11/09'10 | Add is " VDE "  | Aaron    |
| △    |          |   |          |

THIS IS CAD DRAWING, DO NOT REVISE MANUALLY!!!

Material:

- Item 1 Terminal housing:Thermoplastic (UL 94V-0)
- Item 2 Clamp: Brass Ni plated
- △ ● Item 3 Wire guard solder pin:Copper Tin plated
- Item 4 Terminal screw: Steel Zinc plating"-slot type

△ Electrical cULus VDE

- Voltage rating: 300VAC 450V
- Current rating: 20A 24A
- Wire range : 0.2-2.5mm<sup>2</sup>
- Solid wire(AWG): 12-30
- Stranded wire(AWG): 12-30
- Torque(Lb-In): 3.5 0.5 N.m
- Screw: M3
- Wire strip length: 6-7mm
- Withstanding Voltage: 1.6KV 2.5KV
- Operating temperature: -40°C to +115°C
- Soldering temperature: 250°C±10°C/5 Sec
- Safety Approval:

VJ xx 01 x 3 xxxx G

| No. of poles   | Color               | RoHS                                  |
|----------------|---------------------|---------------------------------------|
| 04 4 CONTACTS  | 0 Black (RAL9005)   | Pb<40,000ppm                          |
| 05 5 CONTACTS  | 2 Red (RAL3001/D)   | 0000:"@"Logo (Standard )              |
| ...            | 3 Orange(RAL2011/P) | 000A:"ANYTEK"Logo                     |
| ...            | 4 Yellow(RAL1018/A) | Any special item by customer request, |
| 24 24 CONTACTS | 5 Green(RAL6018/T)  | please contact sales department.      |
|                | 6 Blue (RAL5015/A)  |                                       |
|                | 8 Grey(RAL7035/D)   |                                       |

**ANYTEK**

**CUSTOMER COPY**

ALL RIGHTS RESERVED. REPRODUCTION OR ISSUE TO THIRD PARTIES IN ANY FORM WHATEVER IS NOT PERMITTED WITHOUT WRITTEN AUTHORITY FROM THE PROPRIETOR. PROPERTY OF ANYTEK TECHNOLOGY CO., LTD

|          |               |  |                     |  |
|----------|---------------|--|---------------------|--|
| TITLE    |               | VJ-5.0 Series 4P-24P Vertical solid block ( 90D wire inlet ) |                     |  |
| PART NO. | VJxx01x3xxxxG | DWG NO.  | 8VJ0044             |  |
| APPROVED | CHECKED       | DESIGNED   | DRAWN               | CUST NO.   |
|          |               | Aaron<br>2010.11.09  | Aaron<br>2009.09.09 |  |
|          |               |  |                     | Tolerance<br>X. ±0.50<br>X.X ±0.30<br>X.XX ±0.10<br>X° ±1° |
|          |               | SHEET: 01/01   |                     | REV.: D  |