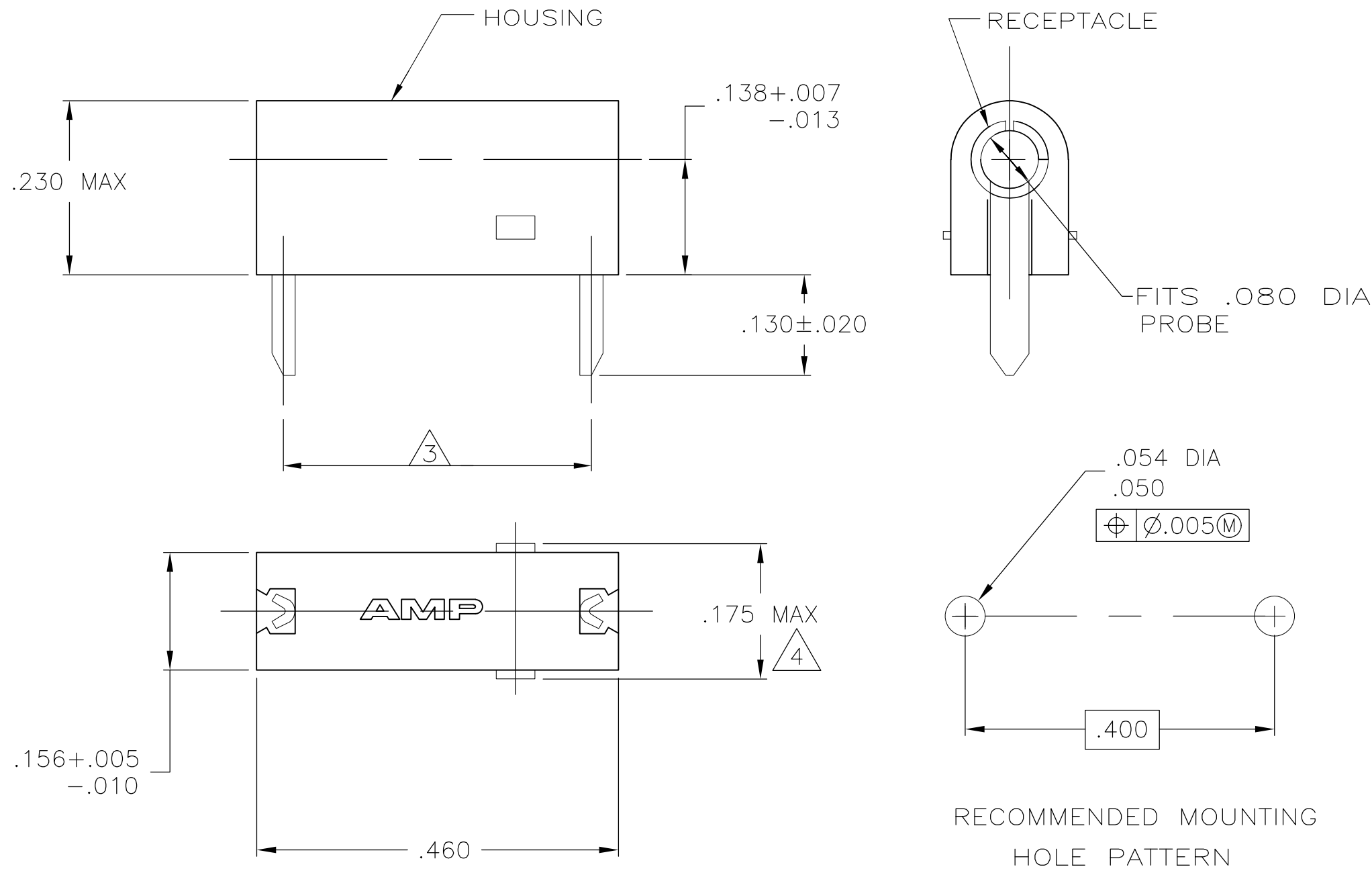


THIS DRAWING IS UNPUBLISHED. RELEASED FOR PUBLICATION
 © COPYRIGHT - By - ALL RIGHTS RESERVED.

LOC		DIST		REVISIONS			
P	LTR	DESCRIPTION		DATE	DWN	APVD	
AF	50	AB1		REVISED PER ECO-11-004820	11MAR11	RK	HMR
		AB2		REVISED PER ECR-14-016482	04NOV14	L.P.	T.D

- 1 OPERATION TEMPERATURE IS 105° C MAX.
- 2 RETENTION FORCE - 16 OUNCES MIN INITIALLY.
6 OUNCES MIN AFTER 500 CYCLES.
- 3 REFER TO MOUNTING HOLE PATTERN.
- 4 .175 MAX TO BE MEASURED ACROSS THE CUT-OFF TABS.



	NYLON 6/6; WHITE	BRASS - GOLD	3-582118-9
OBSOLETE	NYLON 6/6; GRAY	BRASS - GOLD	3-582118-8
	NYLON 6/6; VIOLET	BRASS - GOLD	3-582118-7
	NYLON 6/6; BLUE	BRASS - GOLD	3-582118-6
	NYLON 6/6; GREEN	BRASS - GOLD	3-582118-5
	NYLON 6/6; YELLOW	BRASS - GOLD	3-582118-4
	NYLON 6/6; ORANGE	BRASS - GOLD	3-582118-3
	NYLON 6/6; RED	BRASS - GOLD	3-582118-2
OBSOLETE	NYLON 6/6; BROWN	BRASS - GOLD	3-582118-1
	NYLON 6/6; BLACK	BRASS - GOLD	3-582118-0
	NYLON 6/6; WHITE	BRASS - SILVER	2-582118-9
OBSOLETE	NYLON 6/6; GRAY	BRASS - SILVER	2-582118-8
OBSOLETE	NYLON 6/6; VIOLET	BRASS - SILVER	2-582118-7
	NYLON 6/6; BLUE	BRASS - SILVER	2-582118-6
OBSOLETE	NYLON 6/6; GREEN	BRASS - SILVER	2-582118-5
OBSOLETE	NYLON 6/6; YELLOW	BRASS - SILVER	2-582118-4
OBSOLETE	NYLON 6/6; ORANGE	BRASS - SILVER	2-582118-3
	NYLON 6/6; RED	BRASS - SILVER	2-582118-2
OBSOLETE	NYLON 6/6; BROWN	BRASS - SILVER	2-582118-1
	NYLON 6/6; BLACK	BRASS - SILVER	2-582118-0
	NYLON 6/6; WHITE	BRASS - TIN	1-582118-9
OBSOLETE	NYLON 6/6; GRAY	BRASS - TIN	1-582118-8
OBSOLETE	NYLON 6/6; VIOLET	BRASS - TIN	1-582118-7
OBSOLETE	NYLON 6/6; BLUE	BRASS - TIN	1-582118-6
	NYLON 6/6; GREEN	BRASS - TIN	1-582118-5
	NYLON 6/6; YELLOW	BRASS - TIN	1-582118-4
OBSOLETE	NYLON 6/6; ORANGE	BRASS - TIN	1-582118-3
OBSOLETE	NYLON 6/6; RED	BRASS - TIN	1-582118-2
OBSOLETE	NYLON 6/6; BROWN	BRASS - TIN	1-582118-1
OBSOLETE	NYLON 6/6; BLACK	BRASS - TIN	1-582118-0

	-	-	-
	-	-	-
	-	-	-
	NYLON 6/6; NATURAL	BRASS - GOLD	6-582118-9
OBSOLETE	NYLON 6/6; NATURAL	BRASS - SILVER	5-582118-9
	HOUSING - MATERIAL; COLOR	RECEPTACLE - MATERIAL; FINISH	PART NUMBER

THIS DRAWING IS A CONTROLLED DOCUMENT.

DIMENSIONS: mm

TOLERANCES UNLESS OTHERWISE SPECIFIED:

0 PLC	± -
1 PLC	± -
2 PLC	± .015
3 PLC	± -
4 PLC	± -
ANGLES	± -

MATERIAL: SEE TABLE

FINISH: SEE TABLE

WEIGHT: -

CUSTOMER DRAWING

DWN: M.S. FEHER 13APR2004

CHK: E. HOWARD 13APR2004

APVD: E. HOWARD 13APR2004

PRODUCT SPEC: -

APPLICATION SPEC: -

NAME: ASSEMBLY, TEST PROBE

SIZE: A2

CAGE CODE: 00779

DRAWING NO: C=582118

RESTRICTED TO: -

SCALE: 6:1

SHEET: 1 of 1

REV: AB2

TE Connectivity