

4

3

2

1

THIS DRAWING IS UNPUBLISHED.

RELEASED FOR PUBLICATION

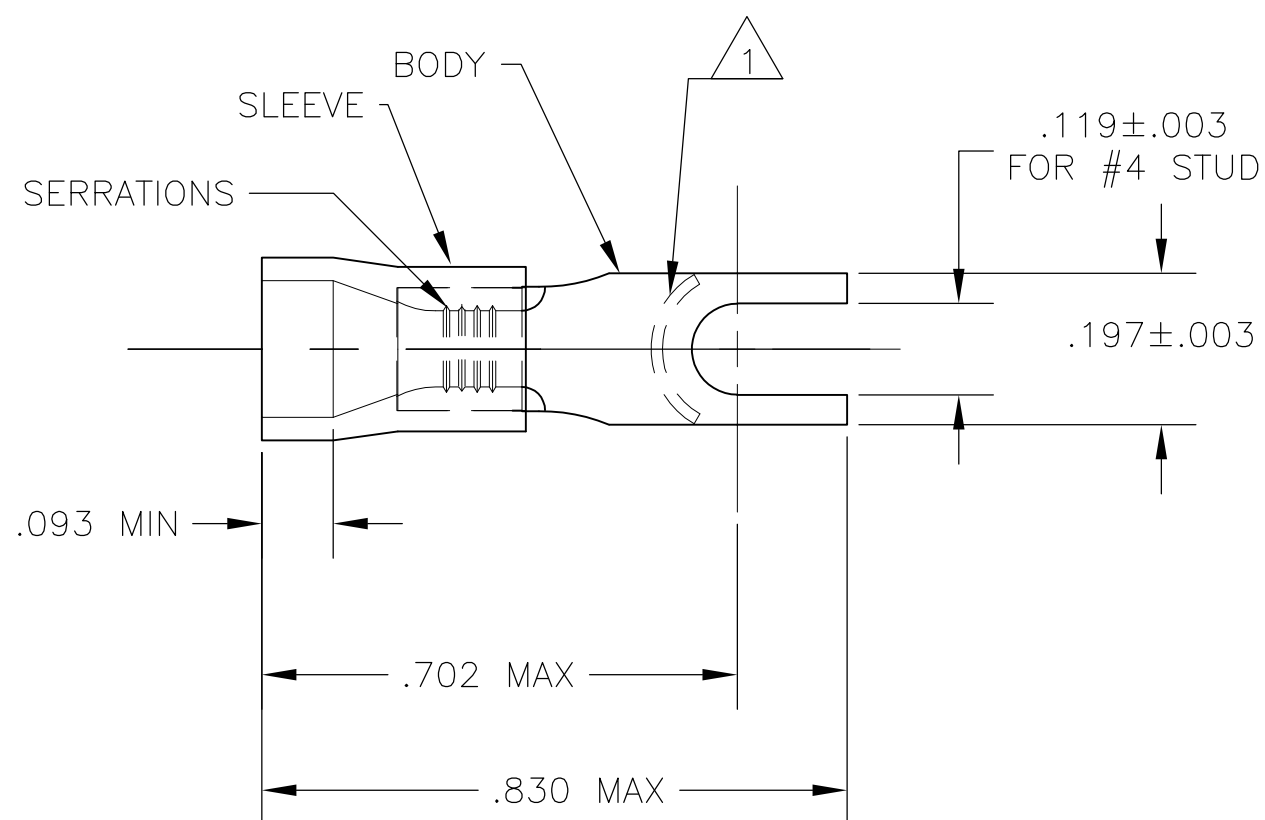
- . - .

© COPYRIGHT - By -


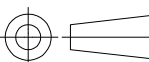
ALL RIGHTS RESERVED.

LOC	DIST	REVISIONS			
P	LTR	DESCRIPTION	DATE	DWN	APVD
G	86	A1	REVISED PER ECO-15-010719	25JUL2015	NK DR

- 1 STAMP AMP 16-14, LOCATE APPROX AS SHOWN.
 2 WIRE INSULATION DIA IS .118-.193
 3 TONGUE THICKNESS IS .031±.002
 4 MATERIAL: BODY-CU PER ASTM B152
 SLEEVE-PVC, COLOR BLUE



1000	LOOSE PIECE	132528-1
QTY	PACKAGE TYPE	PART NO

THIS DRAWING IS A CONTROLLED DOCUMENT.		DWN jr_ruth 16FEB06	 TE Connectivity NAME TERMINAL, SPADE, PLASTI-GRIP, WIRE SIZE 16-14 AWG				
DIMENSIONS: INCHES		CHK T MICHELUTTI 16FEB06					
		APVD T MICHELUTTI 16FEB06					
TOLERANCES UNLESS OTHERWISE SPECIFIED:		PRODUCT SPEC					
0 PLC ± - 1 PLC ± - 2 PLC ± - 3 PLC ± .008 4 PLC ± - ANGLES ± 5°		APPLICATION SPEC	SIZE	CAGE CODE	DRAWING NO	RESTRICTED TO	
MATERIAL		FINISH	A300779		C-132528	-	
- 4		- 4	CUSTOMER DRAWING		SCALE 4:1	SHEET 1 OF 1	REV A1