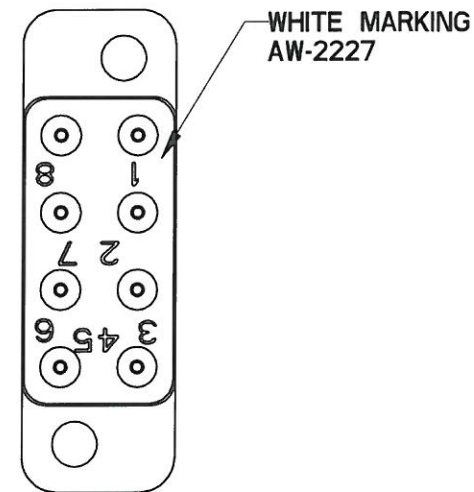
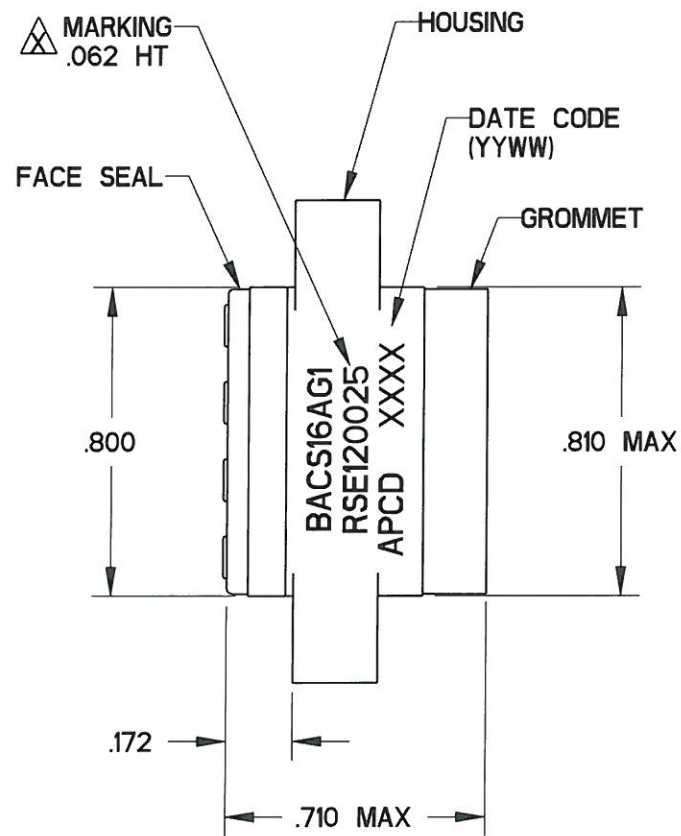
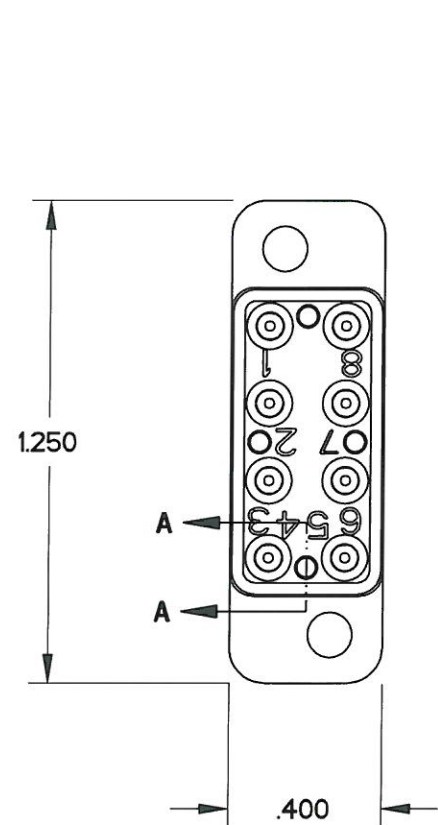


REV	ECN	DESCRIPTION	APP'D
W	6758	REDRAW IN PROE	JT 1/13/12
X	6848	UPDATE MARKING	<i>[Signature]</i>



NOTE :
BOEING PACKAGING SPECIFICATION REQUIRES A LABEL WITH THE FOLLOWING INFORMATION TO BE AFFIXED TO THE UNIT PACKAGE (POLY BAG) :

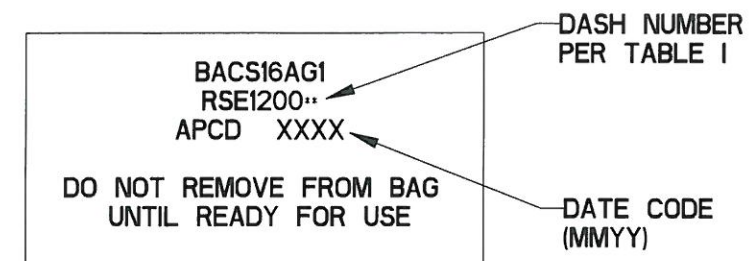
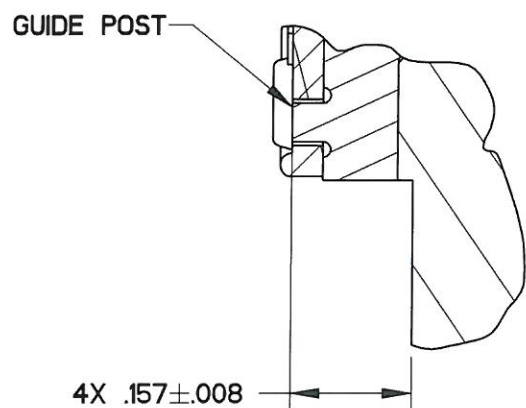


TABLE II		
PART NO.	DESCRIPTION	QTY
200006201	*2 SPLIT LOCK WASHER	2
200006301	*4 SPLIT LOCK WASHER	2
200006401	*4 FLAT WASHER	2
200006501	*2-56 FILLISTER HEAD SCREW	2
200006801	*4 MTG STUD W/*2-56 HOLE	2
200006901	*4-40 HEX NUT	2

TABLE I		
PART NO.	CONTACTS SUPPLIED	MARKING
RSE120023	NONE	RSE120026
RSE120026	(9) SZ 22/20	



SECTION A-A
SCALE 4:1
TYP 4X

DIMENSIONS ANSI Y14.5M UNITS: INCHES Pro/E FILE	TOLERANCES .XX ±0.01 .XXX ±0.010 ANGLES ±2.0°	PROJECTION 	Amphenol Pcd ENGR A. Hien 18-Aug-10	TITLE RELAY SOCKET 8 POS - SIZE 20 BOEING BACS16AG1		
ORIGINAL NOT FOR CUSTOMER DISTRIBUTION	THIS DOCUMENT CONTAINS PROPRIETARY INFORMATION WHICH IS THE CONFIDENTIAL PROPERTY OF AMPHENOL PCD INC., BEVERLY, MA		CHKD <i>[Signature]</i> 9/4/12 APPD <i>[Signature]</i> 9/5/12	SIZE B	DWG NO. RSE120023	REV X
				CODE: 58982	SCALE: 2:1	SHEET 1 OF 1