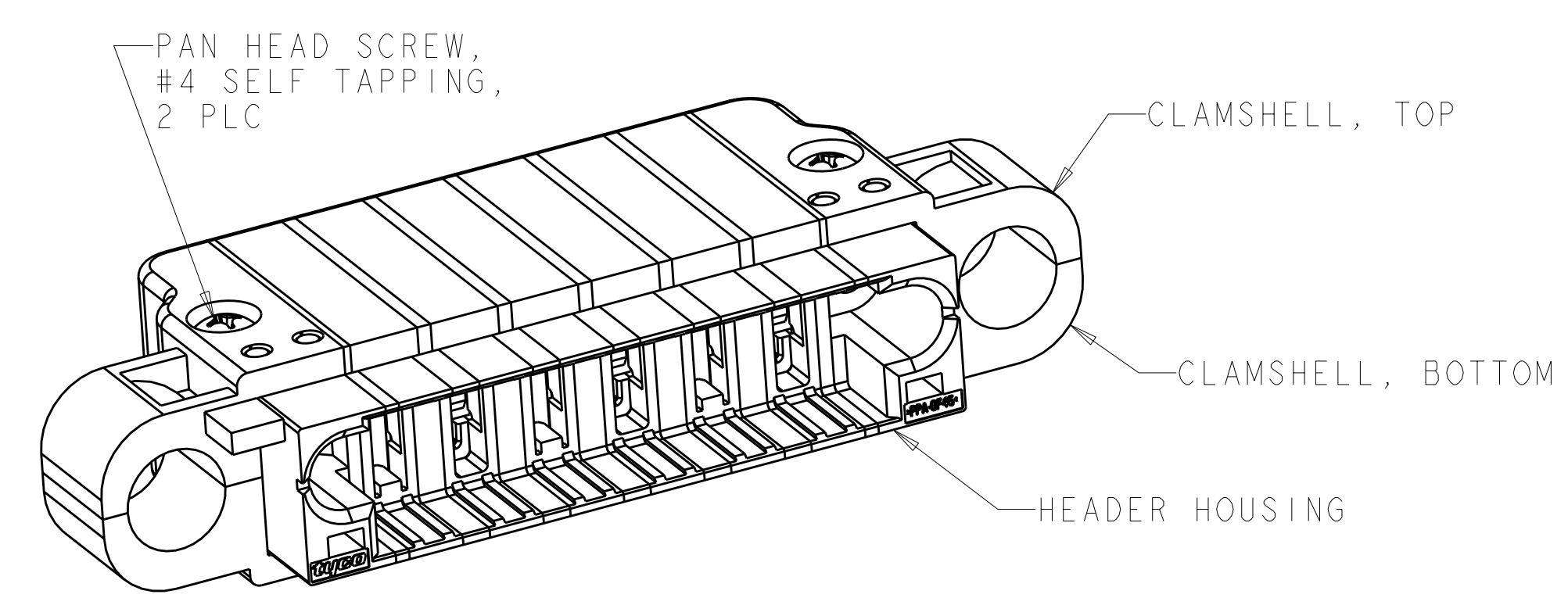
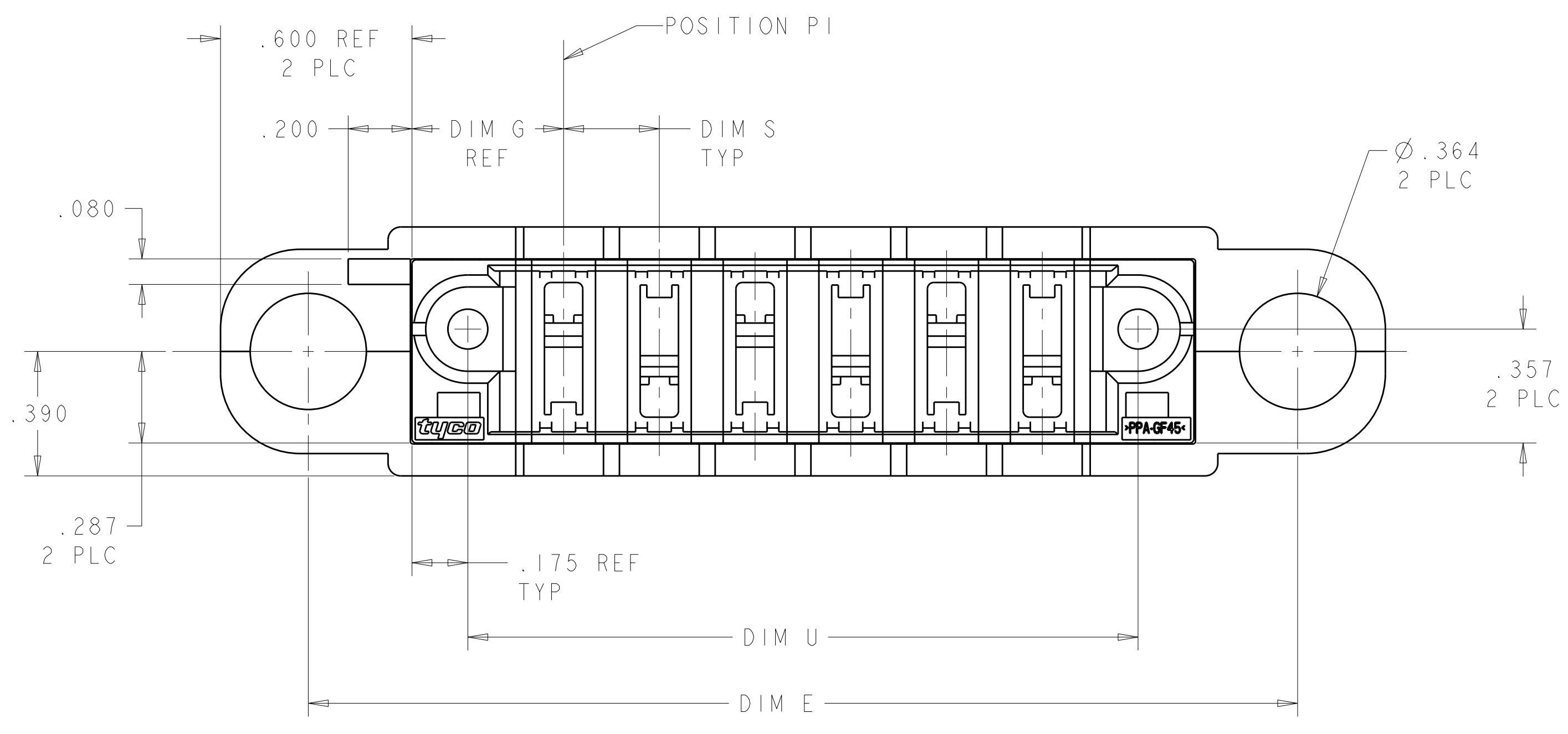
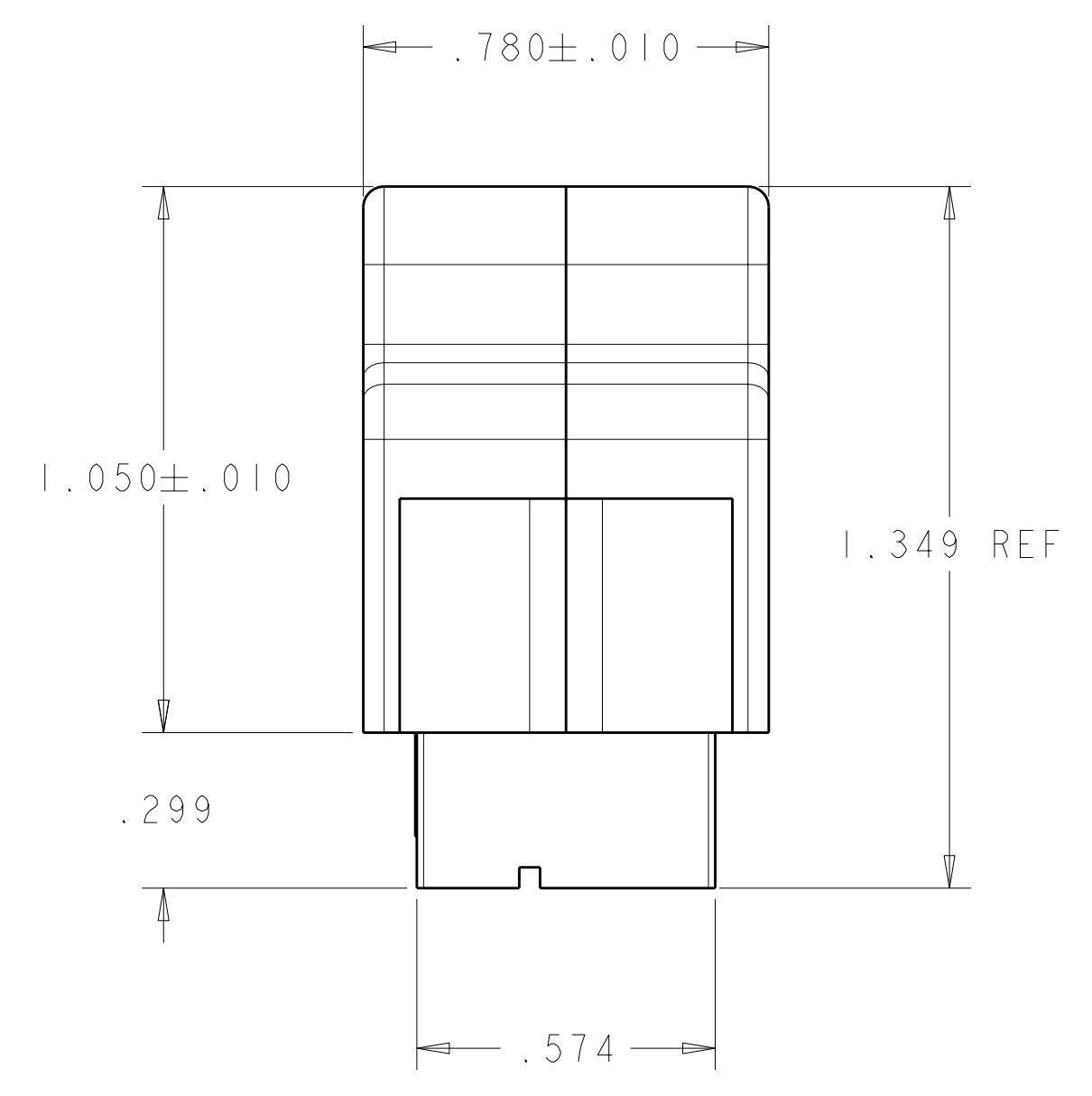
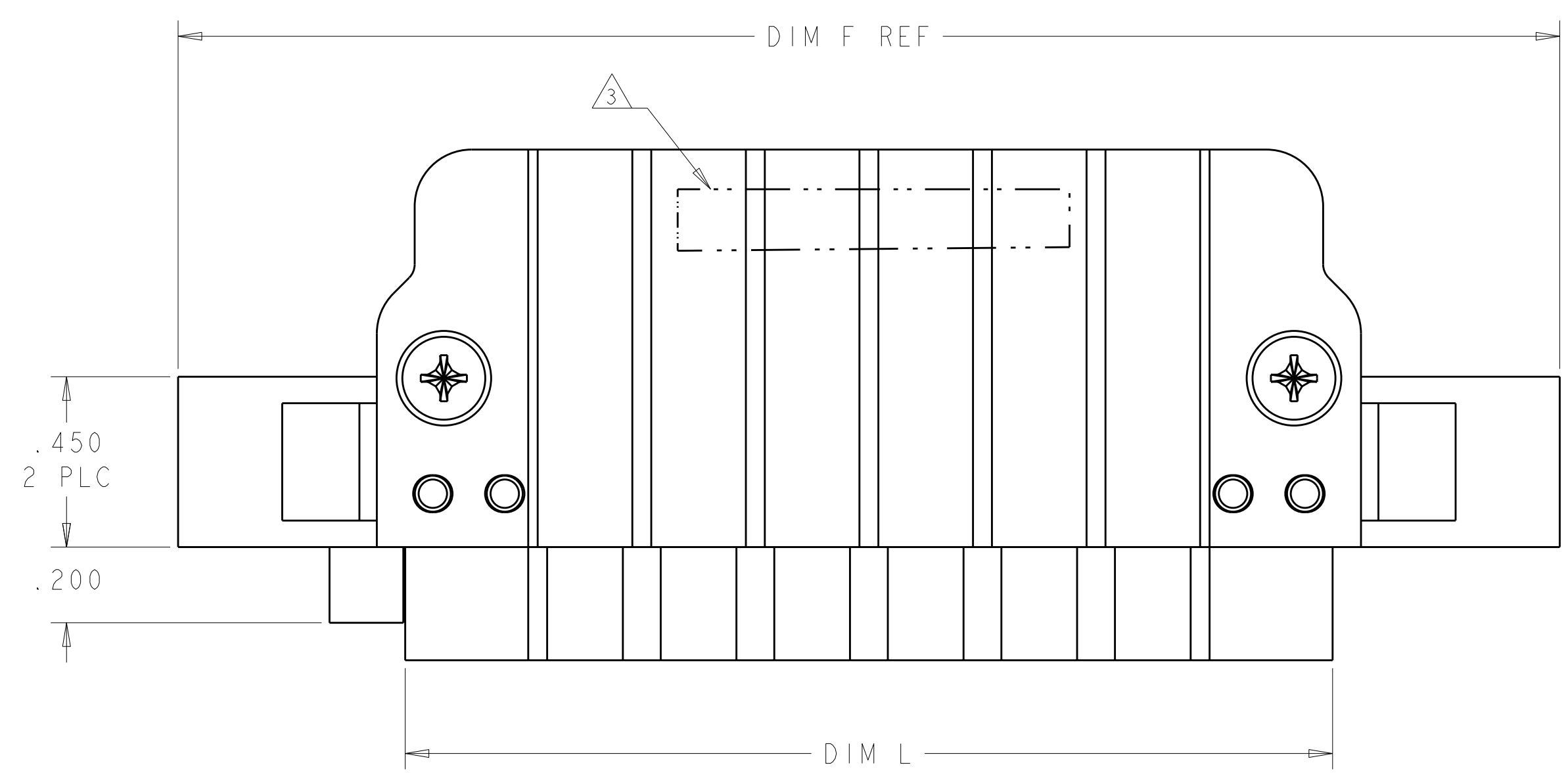


LOC	DIST	REVISIONS			
ES	00	REV	DATE	BY	APPD
		A3	ADDED NEW DASH NUMBER	4JAN2007	DZ SY
		B	ADDED NEW DASH NUMBER	9NOV2007	DZ SY
		B1	ADDED NEW DASH NUMBER	21FEB2008	SZ SY
		B2	REV PER ECR-08-014010	03JUNE2008	VO SY



ISOMETRIC VIEW
SCALE 2:1

- 1 CLAMSHELLS AND HEADER HOUSING: THERMO PLASTIC, UL94 V-0; SCREWS: STEEL.
- 2 SCREWS: ZINC.
- 3 TYCO PART NUMBER AND DATE CODE MARKED IN AREA.
- 4 CONNECTOR KEEP OUT ZONE.
- 5 CONNECTOR MATED TO PANEL FROM OPPOSITE SIDE.
- 6 NO BURRS ALLOWED ON OPPOSITE (MATED) SIDE.
- 7 DATUM LOCATIONS AND BASIC DIMENSIONS TO BE ESTABLISHED BY CUSTOMER.
- 8 MOUNT CONNECTOR WITH TYCO HARDWARE KIT 1600914-1 FOR .050 (1.27mm) MIN RADIAL FLOAT.
- 9 NOT RELEASED FOR PRODUCTION.



1.900	.300	2.250	.525	3.450	2.900	5ACP (8 AWG)	1600206-4
1.200	.300	1.550	.475	2.750	2.200	3ACP (12 AWG)	1600206-3
2.500	.300	2.850	.525	4.050	3.500	7ACP (8 AWG)	1600206-2
2.100	.300	2.450	.475	3.650	3.100	6ACP (14 AWG)	1600206-1
DIM U	DIM S	DIM L	DIM G	DIM F	DIM E	DESCRIPTION	PART NO

DIMENSIONS: INCH 		TOLERANCES UNLESS OTHERWISE SPECIFIED: 9 PLC ± 8 PLC ±.02 5 PLC ±.005 4 PLC ± ANGLES ±		DWN J. McCLINTON 09MAR2006 CHK D. TROUT 09MAR2006 APVD P. WHYNE 09MAR2006		Tyco Electronics Corporation Harrisburg, PA 17105-3608	
MATERIAL:		FINISH:		PRODUCT SPEC: 108-2157-1 APPLICATION SPEC: 114-13164		NAME: PANEL MOUNT CABLE PLUG, WITH GUIDES, POWER, MULTI-BEAM XL SIZE: A100779 CAGE CODE: C=1600206 DRAWING NO: 1600206-4	
CUSTOMER DRAWING				SCALE 3:1		SHEET 1 OF 2	

LOC	DIST	REV	DATE	BY	APPD
ES	00				

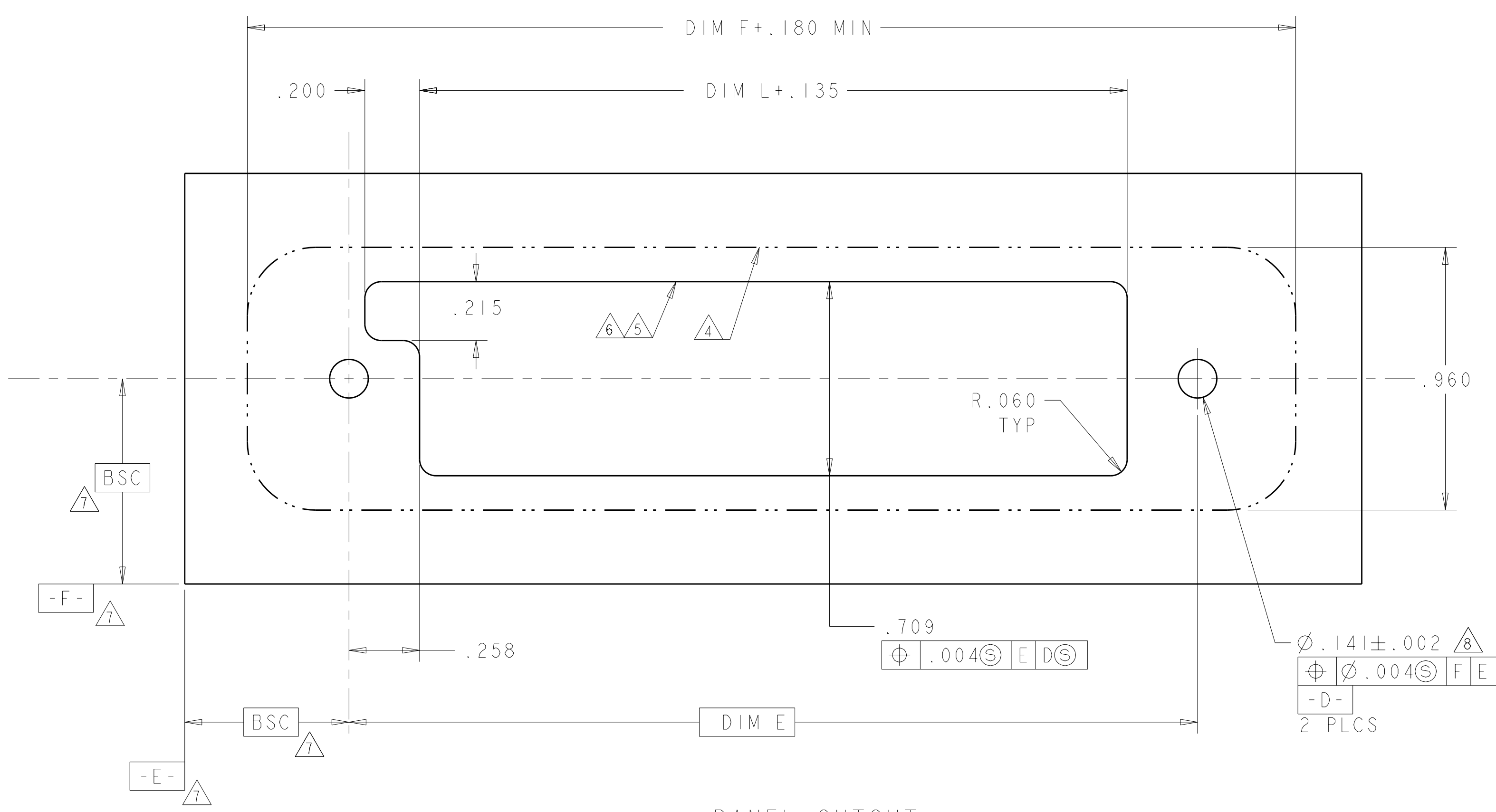
REVISIONS		DATE	BY	APPD
-	SEE SHEET 1	-	-	-

PART NUMBER	ROWS	POWER					
		P1	P2	P3	P4	P5	P6
1600206-1	D		CP	CP	CP	CP	CP
	C						
	B						
	A						
6ACP (14AWG)							

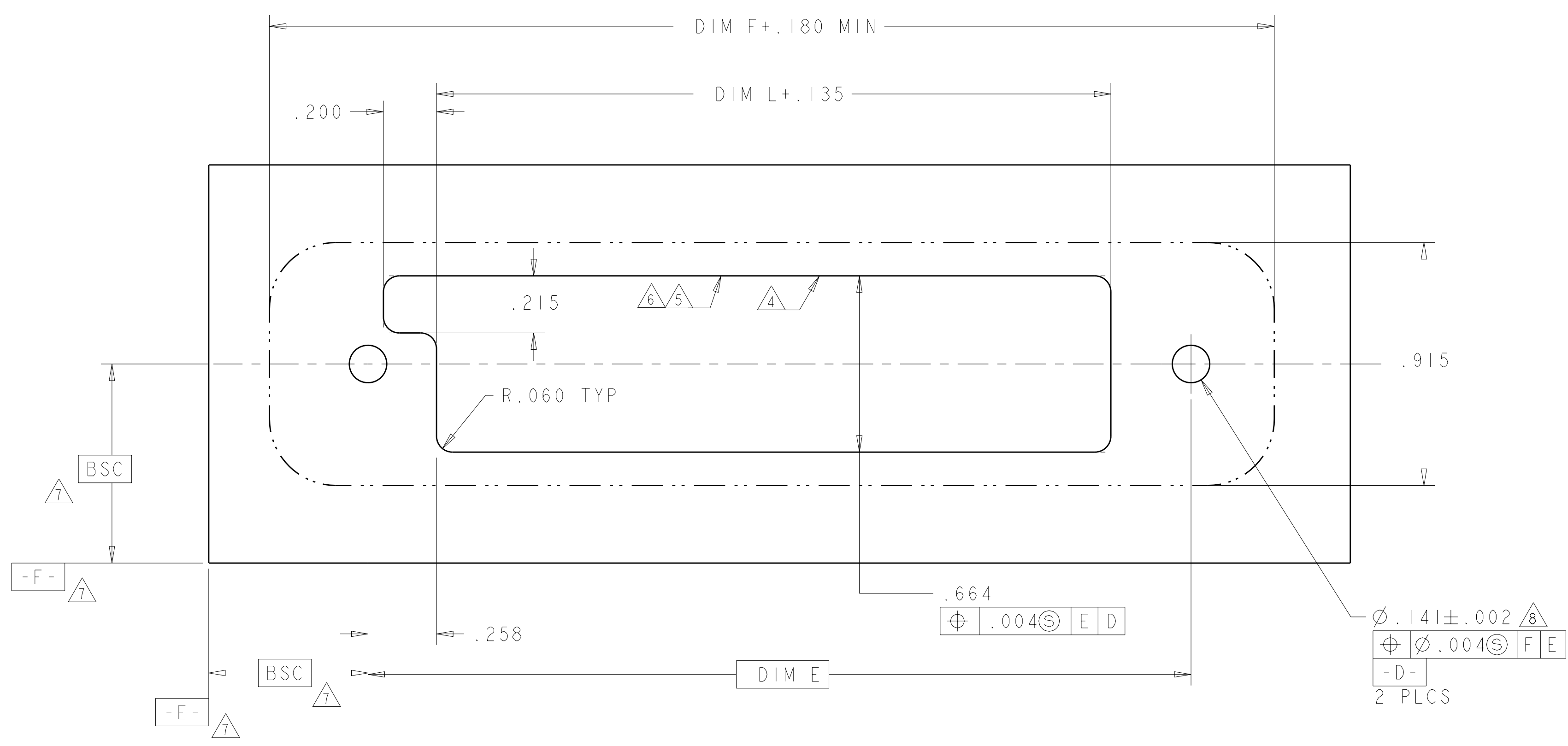
PART NUMBER	ROWS	POWER						
		P1	P2	P3	P4	P5	P6	P7
1600206-2	D		CP	CP	CP	CP	CP	CP
	C							
	B							
	A							
7ACP (8 AWG)								

PART NUMBER	ROWS	POWER		
		P1	P2	P3
1600206-3	D		CP	CP
	C			
	B			
	A			
3ACP (12 AWG)				

PART NUMBER	ROWS	POWER				
		P1	P2	P3	P4	P5
1600206-4	D		CP	CP	CP	CP
	C					
	B					
	A					
5ACP (8 AWG)						



PANEL CUTOUT:
WHEN MATING TO BOARD MOUNT RECEPTACLE



PANEL CUTOUT:
WHEN MATING TO SLIDE-TO-LOCK CABLE RECEPTACLE

POWER CONTACT	CP
DESCRIPTION	IDENTIFIER

<small>THE INFORMATION CONTAINED HEREIN IS UNCLASSIFIED EXCEPT WHERE SHOWN OTHERWISE. IT IS SUBJECT TO CHANGE WITHOUT NOTICE AND WITHOUT LIABILITY. CONTACT THE TYCO ELECTRONICS CORPORATION FOR THE LATEST REVISION.</small>		DWN: J. McCLINTON 09MAR2006 CHK: D. TROUT 09MAR2006 APVD: P. WHYNE 09MAR2006	Tyco Electronics Corporation Harrisburg, PA 17105-3608
DIMENSIONS: INCH 	TOLERANCES UNLESS OTHERWISE SPECIFIED: 0 PLC ± 1 PLC ±.02 2 PLC ±.005 3 PLC ± 4 PLC ± ANGLES ±	NAME: PANEL MOUNT CABLE PLUG, WITH GUIDES, POWER, MULTI-BEAM XL PRODUCT SPEC: 108-2157-1 APPLICATION SPEC: SIZE: 114-13164 WEIGHT: CUSTOMER DRAWING	RESTRICTED TO: SCALE: 3:1 SHEET: 2 OF 2 REV: B2