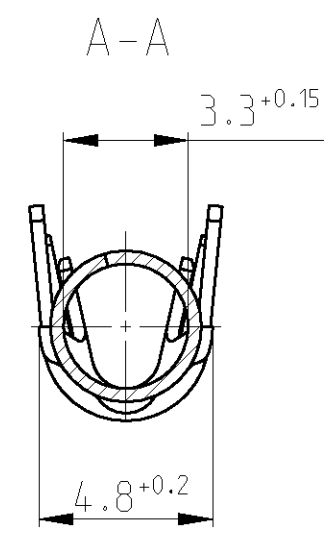
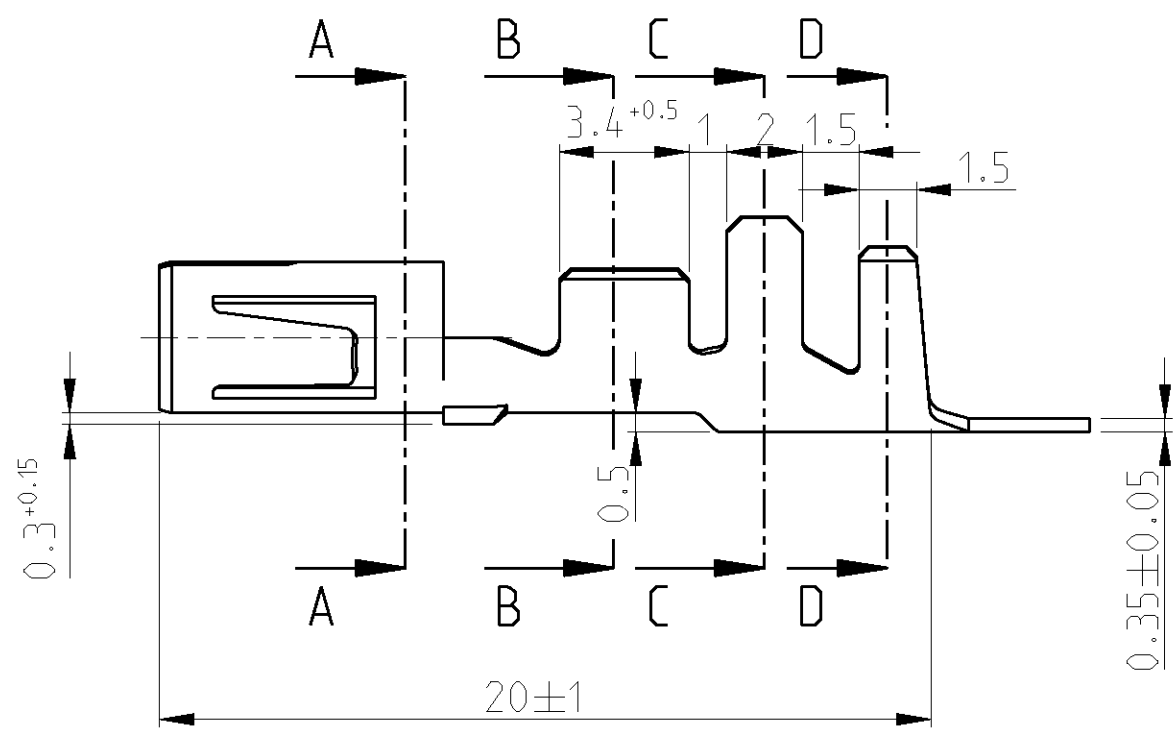
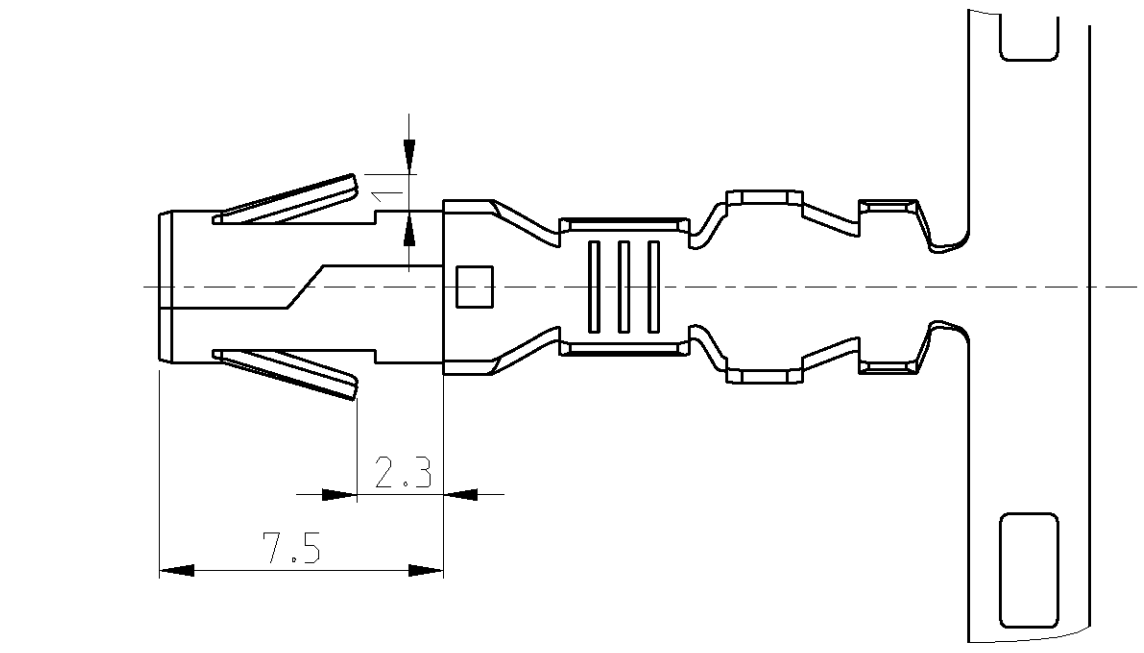
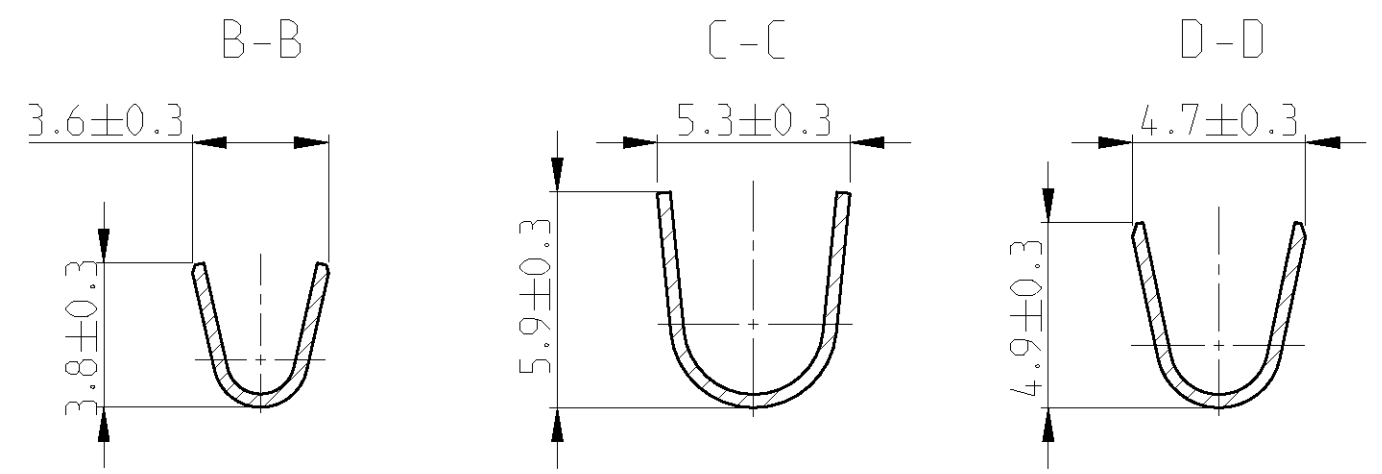


THIS DRAWING IS UNPUBLISHED. RELEASED FOR PUBLICATION 2003
 © COPYRIGHT - TE Connectivity ALL RIGHTS RESERVED.

LOC	DIST	REVISIONS			
P	LTR	DESCRIPTION	DATE	DWN	APVD
GT	-				
	C	SEE ECN EVA0-0023-05	04MAY2005	RVL	MBL
	C1	REVISED PER ECO-09-026495	02FEB10	KK	HMR
	C2	ECR-10-026307	12FEB11	KK	HMR
	C3	REVISED PER ECR-17-006577	18MAY17	JB	DZ

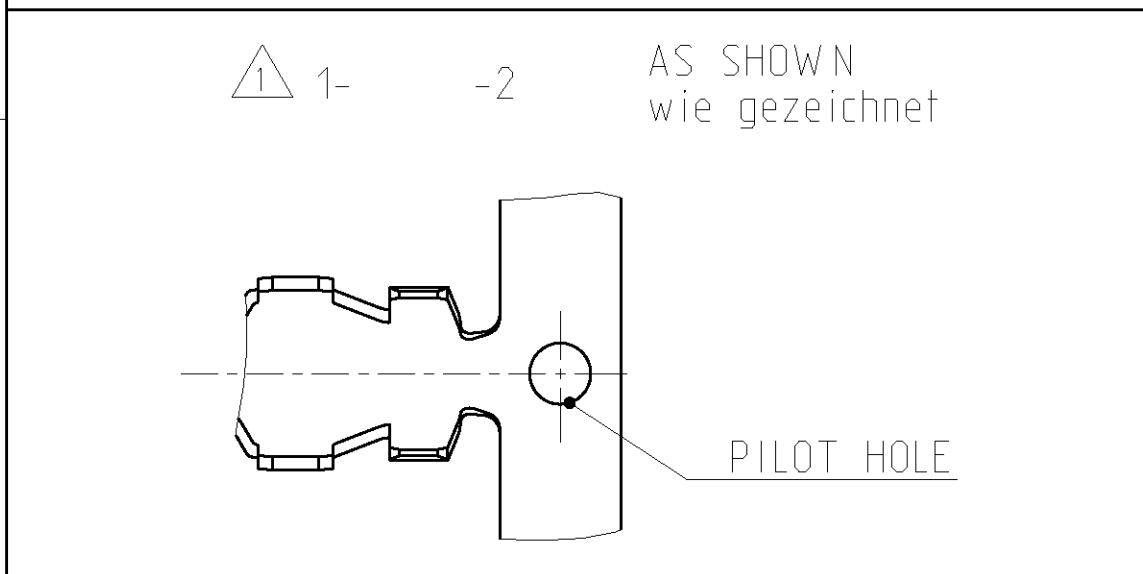


⚠️ OBSOLETE PARTS: OBSOLETE CIS STREAMLINING PER D.RENAUD/D.SINISI



0- -1,2,3,4 AS SHOWN wie gezeichnet

OBSOLETE	FINISH	MATERIAL	PART NUMBER
4-927861-2	PRE TIN	CuSn4	⚠️ 4-927860-2
0-927861-4	SILVERPLATED	CuSn4	0-927860-4
0-927861-3	PLAIN	CuSn4	0-927860-3
0-927861-2	PRE TIN	CuSn4	0-927860-2
0-927861-1	PRE TIN	CuZn30	0-927860-1
	LOOSE PIECE (REF)	FINISH	MATERIAL



THIS DRAWING IS A CONTROLLED DOCUMENT FOR TYCO ELECTRONICS CORPORATION IT IS SUBJECT TO CHANGE AND THE CONTROLLING ENGINEERING ORGANIZATION SHOULD BE CONTACTED FOR THE LATEST REVISION.

DWN: J.SKODA 02MAR2005
 CHK: R.VLCEK 02MAR2005
 APVD: M.BLFICHER 02MAR2005

TE Connectivity

NAME: .140 DIA SOCKET .140 Dia Buchse

PRODUCT SPEC: 108-1032
 APPLICATION SPEC: 114-1007

MATERIAL: - FINISH: - WEIGHT: -

SIZE: A3 CAGE CODE: 00779 DRAWING NO: C=927860 RESTRICTED TO: -

CUSTOMER DRAWING SCALE: 5:1 SHEET: 1 OF 1 REV: C3