

6 5 4 3 2 1

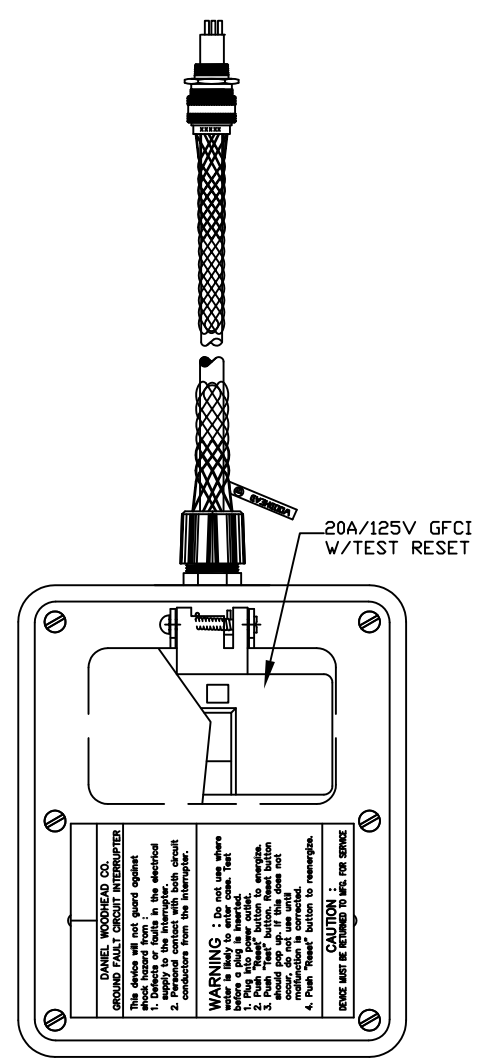
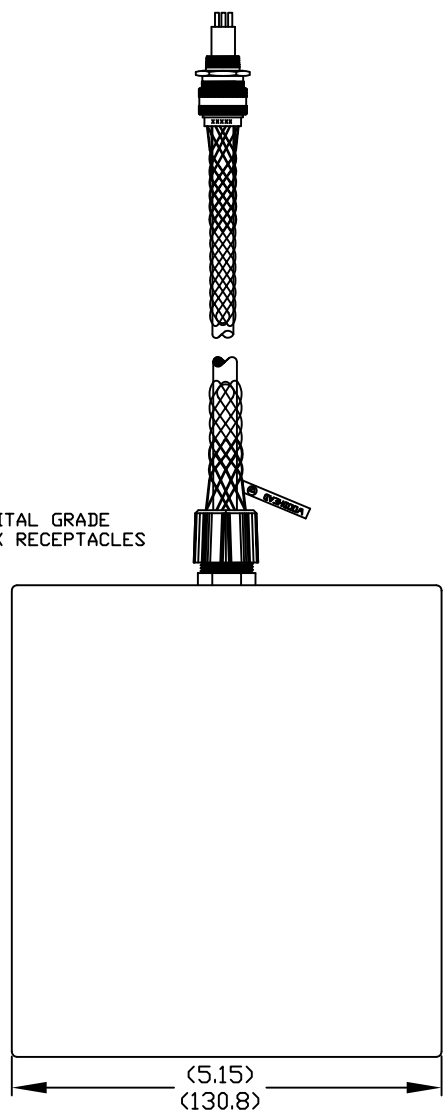
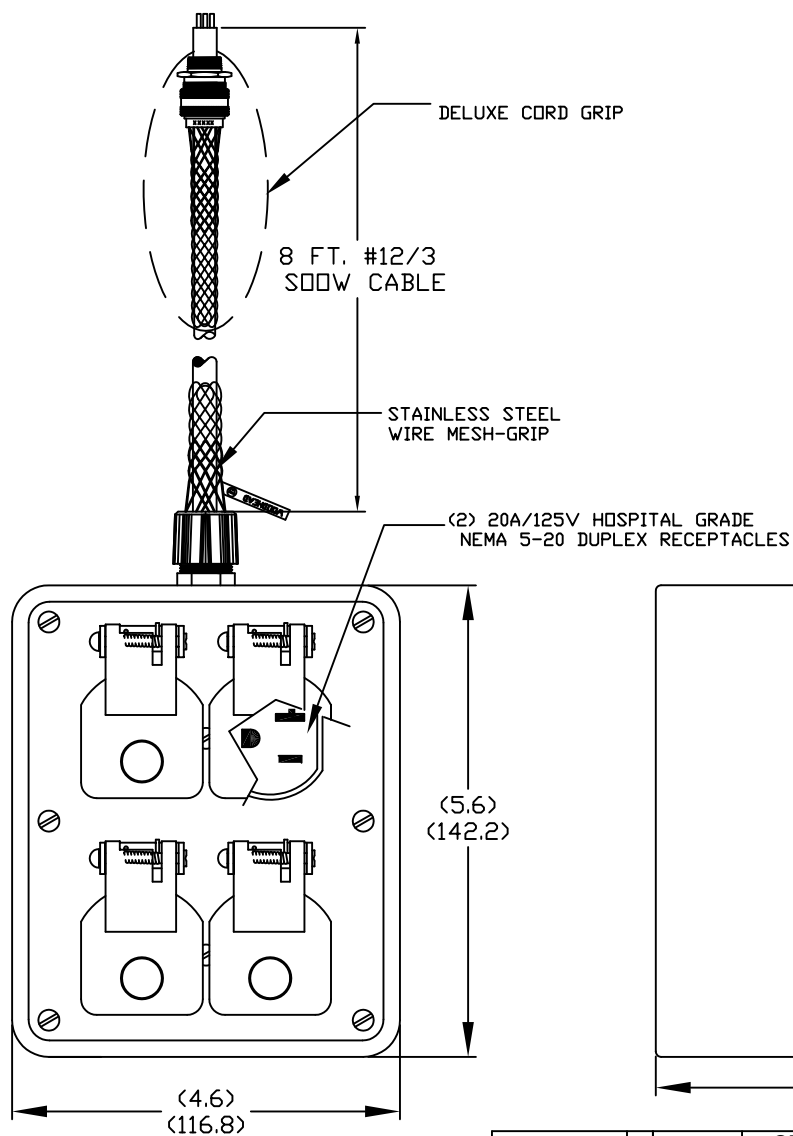
E

D

C

B

A



E

D

C

B

A

6 5 4 3 2 1

RELEASE DRAWING EC NO: WNA2010-0751 DRWN: TVICKERS 2010/05/25 CHKD: KA APPR: DTTITUS 2010/07/21	QUALITY SYMBOLS ▽=0 ▽C=0	GENERAL TOLERANCES (UNLESS SPECIFIED)		DIMENSION STYLE IN/MM		SCALE NTS	DESIGN UNITS INCH	THIRD ANGLE PROJECTION		
		4 PLACES	±---	±---	DRAWN BY TVICKERS	DATE 2010/05/25	TITLE OUTLET BOX 8#12/3 (2)20A DPLX MESH & 36261			
		3 PLACES	±---	±.005	CHECKED BY KA	DATE 2010/05/25	MOLEX INCORPORATED DOCUMENT NO. SD-130135-033 SHEET NO. 1 OF 1			
		2 PLACES	±0.13	±.010	APPROVED BY DTITUS	DATE 2010/07/21				
1 PLACE	±0.25	±.020	ANGULAR ±.5°		MATERIAL NO. 1301350376		THIS DRAWING CONTAINS INFORMATION THAT IS PROPRIETARY TO MOLEX INCORPORATED AND SHOULD NOT BE USED WITHOUT WRITTEN PERMISSION			
DRAFT WHERE APPLICABLE MUST REMAIN WITHIN DIMENSIONS		SIZE A								