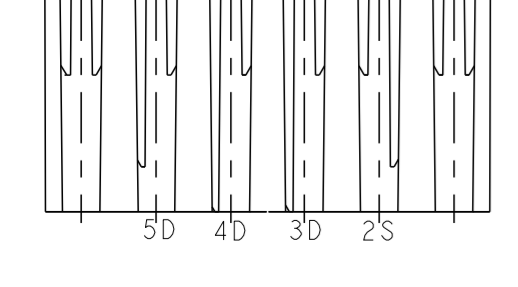
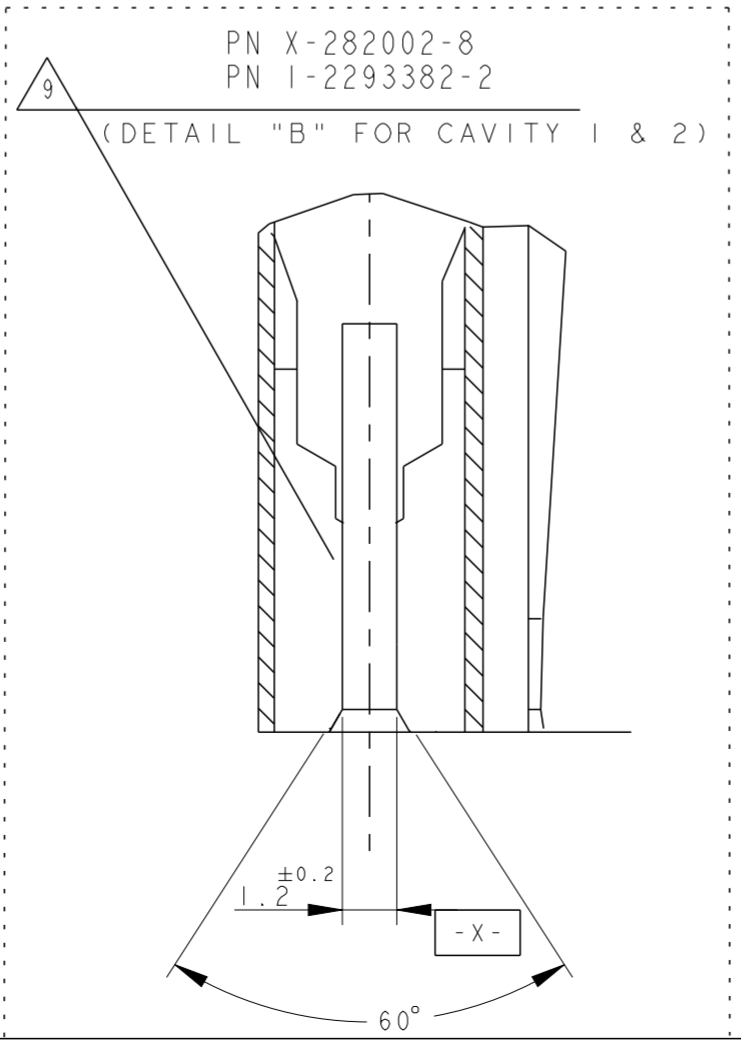
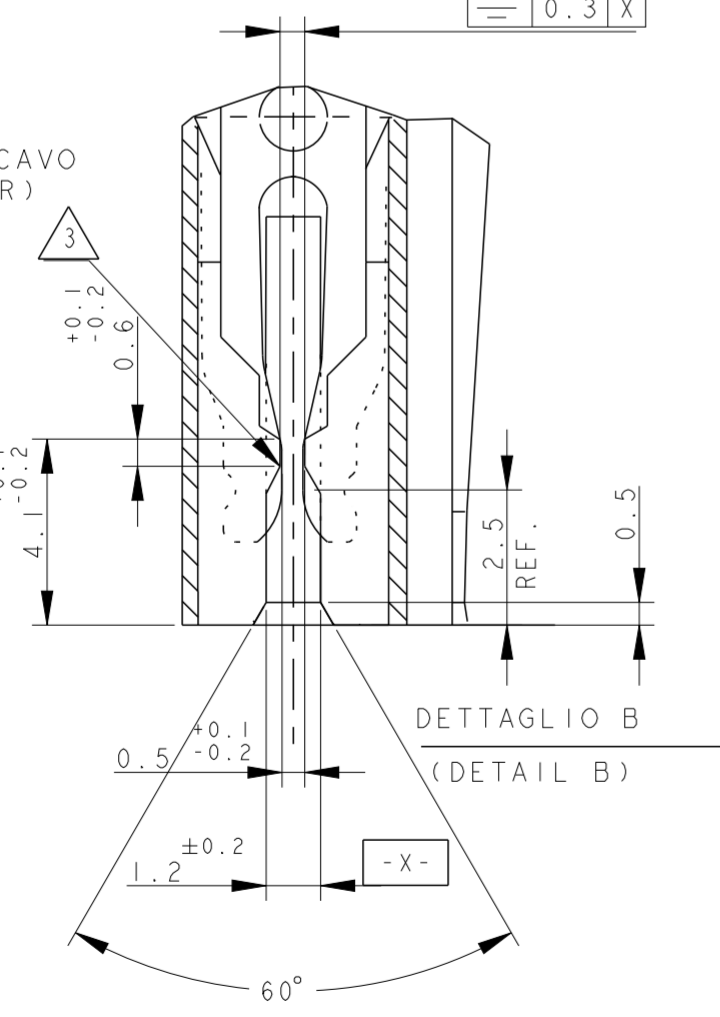
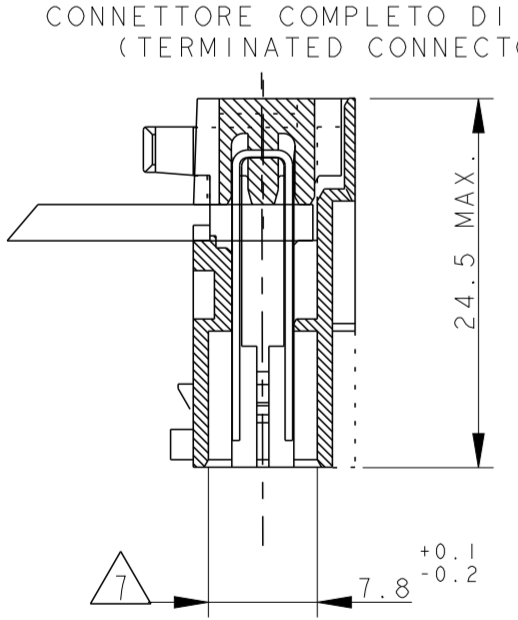
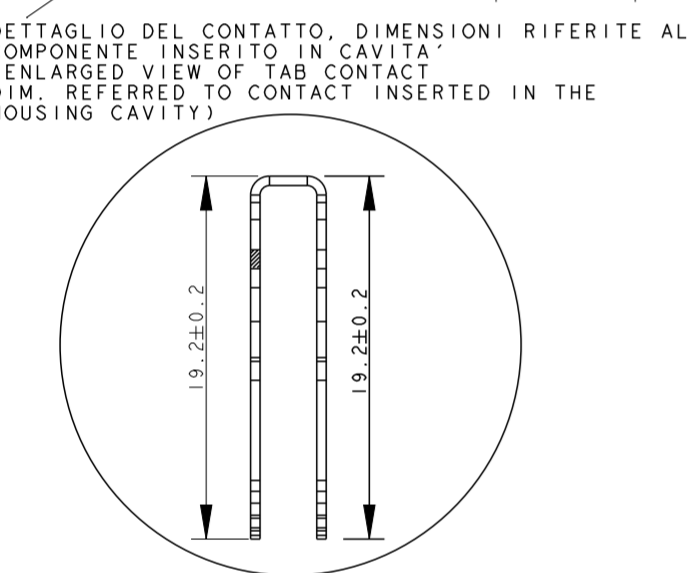
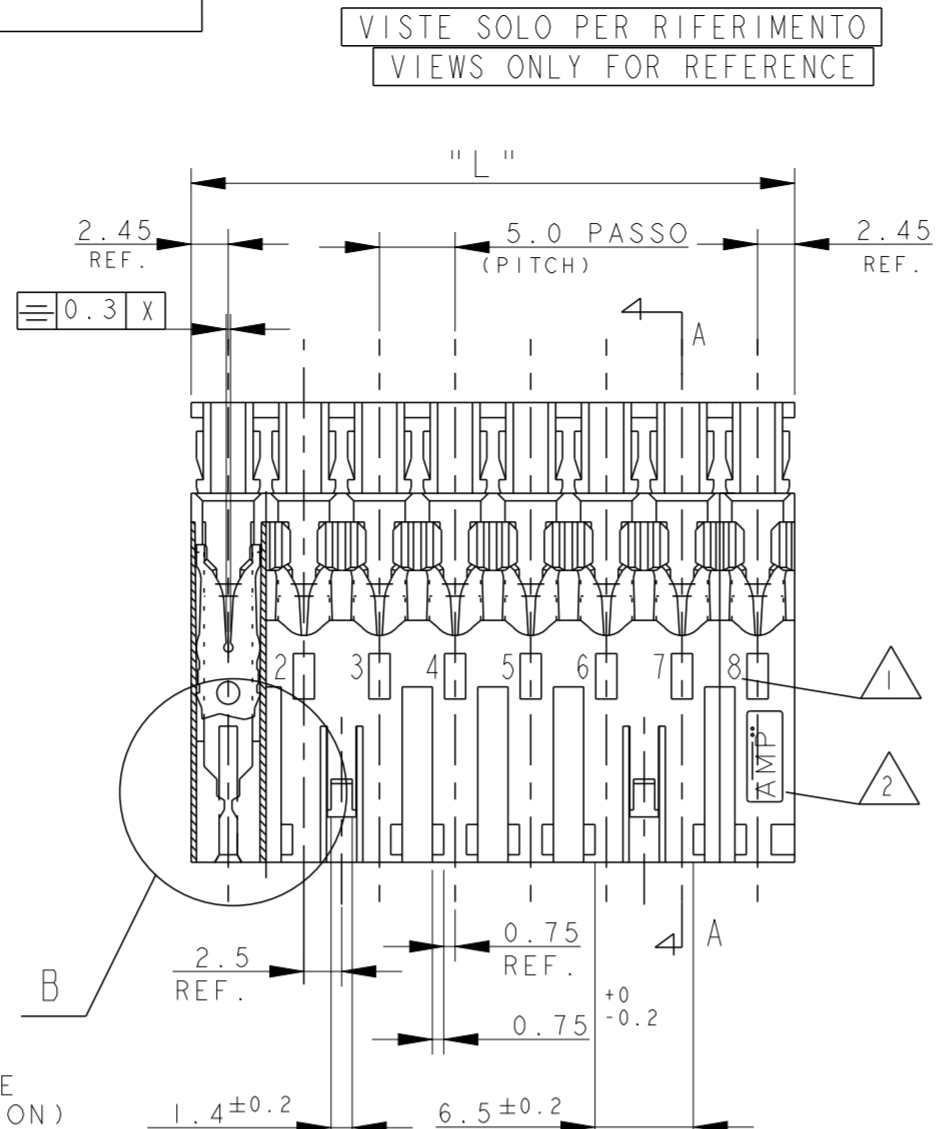
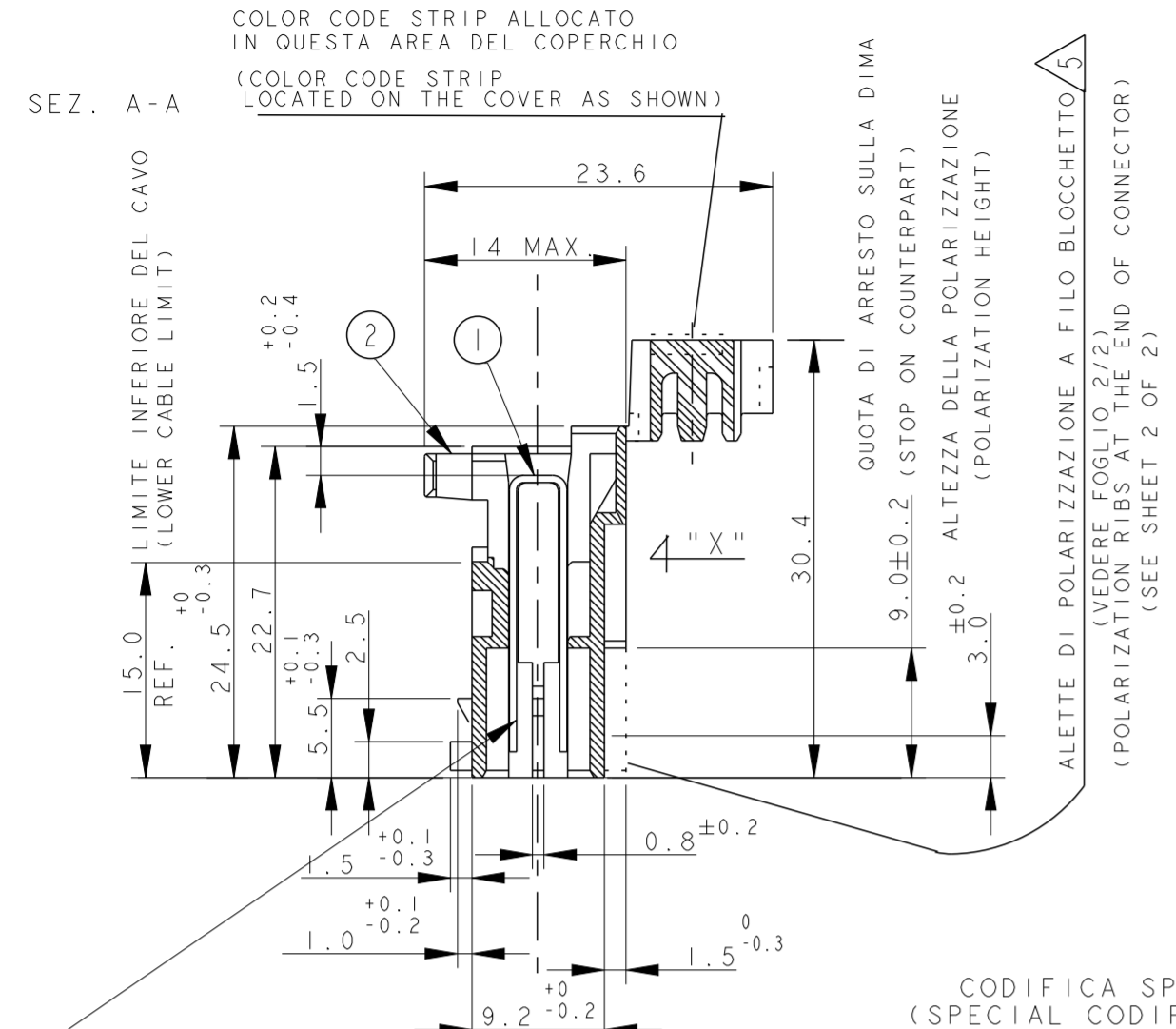


THIS DRAWING IS UNPUBLISHED. RELEASED FOR PUBLICATION
 © COPYRIGHT 2011 ALL RIGHTS RESERVED.

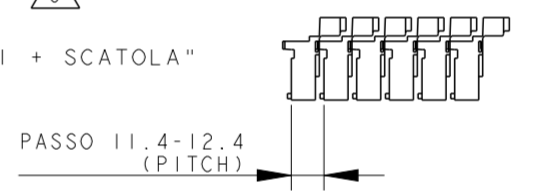
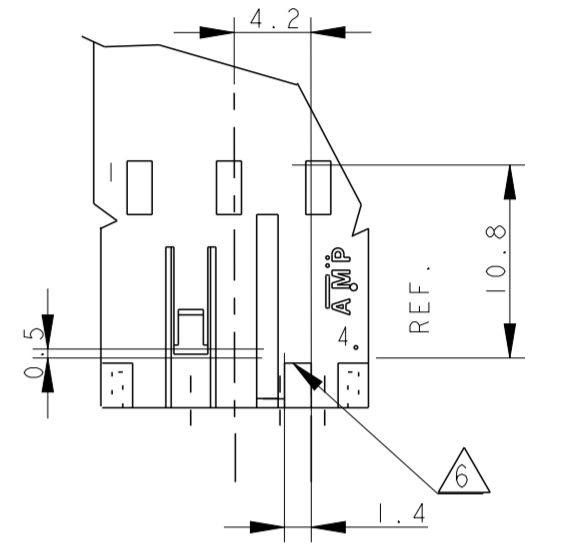
| LOC | | DIST | | REVISIONS | | | |
|------|---------------------------|-------------|-------------|-----------|------|--|--|
| P | LTR | DESCRIPTION | DATE | DWN | APVD | | |
| AA23 | ECR-17-008698 | | 16 JUN 2017 | IZ | RR | | |
| AA24 | ECR-17-010648 | | 31 JUL 2017 | JP | RR | | |
| AA25 | REVISED PER ECR-17-018373 | | 21 DEC 2017 | AL | RR | | |
| AA26 | REVISED PER ECR-18-001816 | | 12 FEB 2018 | AL | RR | | |



DETAIL PN/s:
 1-282006-3
 2-282006-3
 3-282006-3
 POLARIZATION KEYS (VIEW FROM "X")

- NOTE/NOTES:
- 1 NUMERI DI IDENTIFICAZIONE CAVITÀ (CIRCUIT IDENTIFICATION)
 - 2 MARCHIO DI FABBRICA LIBERA POSIZIONE (AMP LOGO FREE POSITION)
 - 3 RETENTION TOOTH IS REQUESTED FOR THE 2 AND 3 POS. ONLY
 - 4 PERTE PRELIMINARE, NON ANCORA IN PRODUZIONE (PRELIMINARY PART, NOT YET RELEASED FOR PRODUCTION)
 - 5 PER QUESTI P/N LA POLARIZZAZIONE POSTERIORE DEVE INTENDERSI COMPLETA, A FINE BLOCCETTO (FOR THE INDICATE P/N THE POLARIZATION MUST BE AT THE END OF CONNECTOR (see sheet 2 of 2.
 - 6 CODIFICA CON DIFFERENTE DIMENSIONE (CODIFICATION WITH DIFFERENT DIMENSION).
 - 7 BECOMES 6.5 FOR BOTH CAVITIES ON THE 2 POS., ON CAVITY N.1 AND N.3 ON THE 3 POS. AND ON CAVITY N.1 ON THE 4 POS. CONNECTOR
 - 8 INCLUDE LA POLARIZZAZIONE DOVE E' ESISTENTE (INCLUDING POLARIZATION KEY, WHEN EXISTING)
 - 9 DETAIL FOR PN X-282002-8 AND PN I-2293382-2, SPECIAL VERSION, SEE ALSO NOTE 3
 - 10 P/N NON RILASCIATO PER LA PRODUZIONE (P/N NOT YET RELEASED FOR PRODUCTION)
 - 11 ---
 - 12 GEOMETRIA ALTERNATIVA DEL DENTINO DI AGGANCIAMENTO VEDI NOTA 3 PER ALTRI DETTAGLI (ALTERNATIVE SHAPE FOR RETENTION TOOTH, SEE NOTE 3 FOR ADDITIONAL DETAILS)
 - 13 STATO DI FORNITURA: CONFEZIONAMENTO IN "VASSOI + SCATOLA" (PACKAGING: "ON TRAY PLUS CARTON BOX")
 - 14 CONFEZIONAMENTO IN BOBINA OBSOLETO (PACKAGING: ON REEL OBSOLETE)
 - 15 OBSOLETE PARTS: OBSOLETE CIS STREAMLINING PER D.RENAUD/D.SINISI
 - 16 THE DESIRED POLARIZATION CAN BE OBTAINED BY THE TERMINATION MACHINE
 - 17 EXCEPTION MADE FOR PN X-282002-8, PN I-2293382-2, 3-282002-4 AND 6-282002-4 FOR THIS PN CAVITY 1 IS WITHOUT RETENTION TOOTH AND HAS THE SAME DESIGN AS THE CAVITY N.2

DETAIL FOR PN 0-282233-2 ONLY



| ITEM | DENOMINAZIONE (DESCRIPTION) | FINITURA / COLORE (FINISH / COLOUR) | MATERIALE (MATERIAL) |
|------|-----------------------------|-------------------------------------|---|
| 2 | BLOCCETTO (HOUSING) | NATURALE (NATURAL) | PA 6.6 CARICATO VETRO (POLIAMIDE 6.6 GLASSFIBER FILLED) |
| 1 | CONTATTO (CONTACT) | STAGNATO (TIN-PLATED) | OTTONE (BRASS) |

DIAM. ISOLANTE (INS. DIA. RANGE): 3,0 max.
 RANGO FILO (WIRE RANGE): 0.5-1.5mm2

THIS DRAWING IS A CONTROLLED DOCUMENT.

DIMENSIONS: mm

TOLERANCES UNLESS OTHERWISE SPECIFIED: 0.3

MATERIAL: SEE TABLE

FINISH: SEE TABLE

DWN: G. ENDRIZZI 23 JUL 1995
 CHK: G. TURCO 23 JUL 1995
 APVD: G. TURCO 23 JUL 1995

NAME: MONO-SHAPE MK1 TAB CONNECTORS 2-10 POS.

SIZE: A2
 CAGE CODE: 0779
 DRAWING NO: C-282002

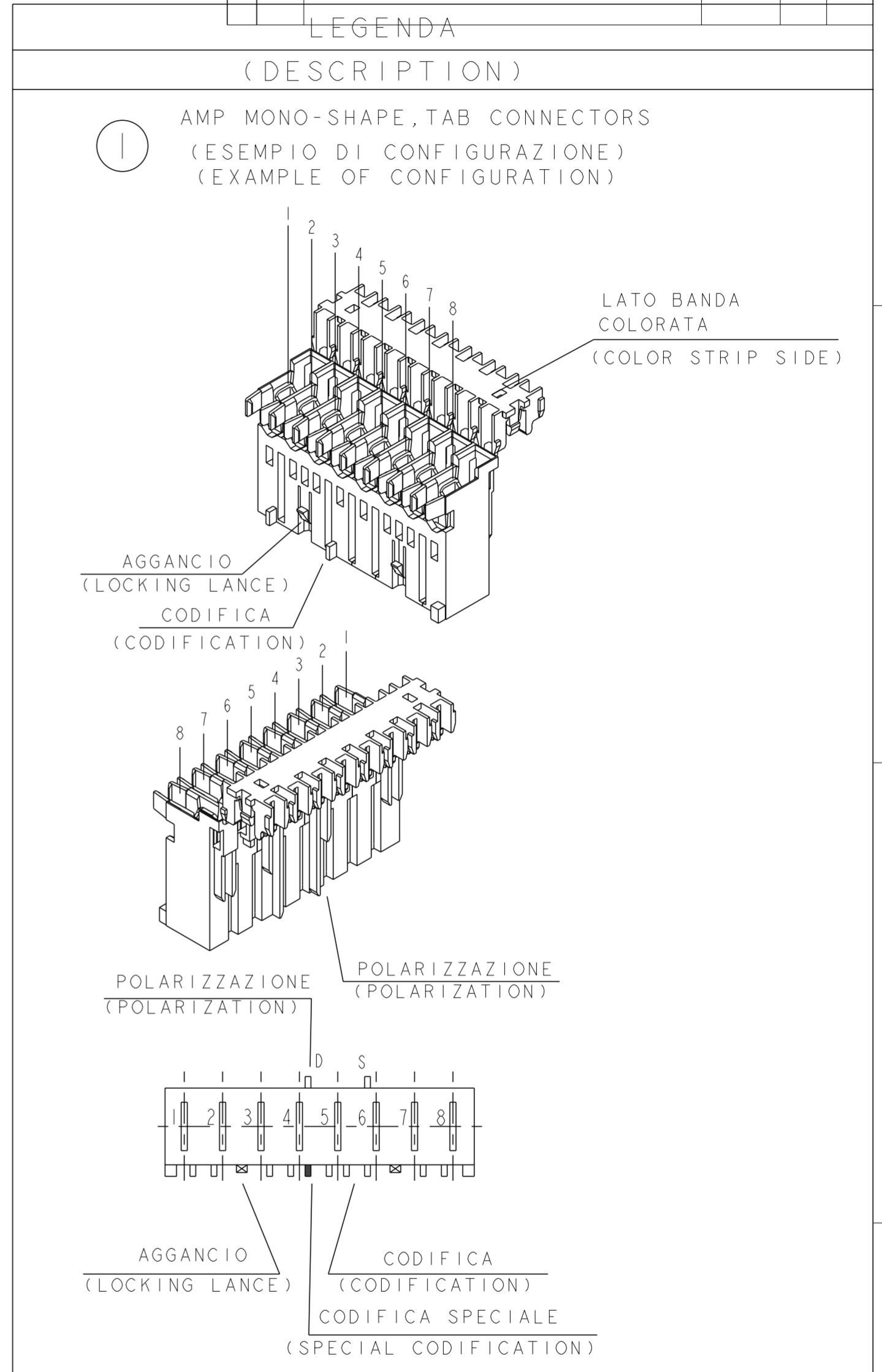
RESTRICTED TO: -

Customer Drawing SCALE: - SHEET 1 OF 6 REV: AA26

THIS DRAWING IS UNPUBLISHED. RELEASED FOR PUBLICATION
 © COPYRIGHT 2011 ALL RIGHTS RESERVED.

| LOC | DIST | REVISIONS | | | |
|----------------------------|------|-------------|------|-----|------|
| P | LTR | DESCRIPTION | DATE | DWN | APVD |
| - | - | SEE SHEET 1 | | | |
| VISTE SOLO PER RIFERIMENTO | | | | | |
| VIEWS ONLY FOR REFERENCE | | | | | |

| NUMERO DI VIE | CONFIGURAZIONE (Vista connettore dall'alto) ① | TE PART NUMBER ASSY CONN. | | | | POSIZIONE POLARIZ. (LATO POSTERIORE) | POSIZIONE AGGANCIO (LATO ANTERIORE) | POSIZIONE CODIFICA SPECIALE (LATO ANTERIORE) | L +0.2 -0.3 (mm) ⑧ | NOTE MARCHIATURA CON BANDA COLORATA | POSSIBILE RAST 5 POLARIZ. ①⑥ |
|---------------|---|---------------------------|------------------------|--------------------------------|----------|--------------------------------------|-------------------------------------|--|--------------------|-------------------------------------|------------------------------|
| | | VERSIONE PEZZI IN VASSOIO | VERSIONE PEZZI SCIOLTI | TRAY PACKAGING VERSION | PART REV | | | | | | |
| NO OF POS | CONFIGURATION (View from top side) ① | TRAY PACKAGING VERSION | PART REV | LOOSE PIECES PACKAGING VERSION | PART REV | POLARIZ. POSITION (BACK SIDE) | LOCKING POSITION (FRONT SIDE) | SPECIAL COD. POSITION (FRONT SIDE) | L +0.2 -0.3 (mm) | NOTE STRIP COLOUR | POSSIBLE RAST 5 POLARIZ. |
| 2 | | 1-282002-1 | V | 2-282002-1 | V | 2S ⑤ | 1-2 | - | 9.9 | NERO BLACK | 02-C |
| 2 | | 1-282002-2 | V | 2-282002-2 | V | 1S | 1-2 | - | 9.9 | GRIGIO GREY | 02-B 02-E 02-F |
| 2 | | 1-282002-3 | V | 2-282002-3 | V | 2D | 1-2 | - | 9.9 | ROSSO RED | 02-L |
| 2 | | 1-282002-4 | V | 2-282002-4 | V | 1D ⑤ 2S ⑤ | 1-2 | - | 9.9 | BLU BLUE | 02-A |
| 2 | | 1-282002-5 | V | 2-282002-5 | V | 1D | 1-2 | - | 9.9 | NERO BLACK | 02-Q |
| 2 | | 1-282002-6 | V | 2-282002-6 | V | - | 1-2 | - | 9.9 | NERO BLACK | - |
| 2 | | 1-282002-7 | V | 2-282002-7 | V | - | 1-2 | - | 9.9 | - | - |
| 2 | | 1-282002-8 | V | 2-282002-8 | V | 1S 2D | 1-2 | - | 9.9 | VERDE GREEN | 02-B 02-E 02-F |
| 2 | | 2-282002-9 | I | - | - | 1D 2D | 1-2 | - | 9.9 | - | - |
| 2 | | 3-282002-0 | I | - | - | 1S 1D | 1-2 | - | 9.9 | - | - |
| 2 | | 3-282002-4 | I | - | - | 1D ⑤ 2S ⑤ | 1-2 | - | 9.9 | - | 02-A |
| 2 | | 5-282002-4 | I | - | - | 1S 2D | 1-2 | - | 9.9 | YELLOW | 02-B 02-E 02-F |
| 2 | | 6-282002-0 | I | - | - | 1S ⑤ 2S ⑤ | 1-2 | - | 9.9 | RED | - |
| 3 | | 1-282003-1 | V | 2-282003-1 | V | 1D | 1-2 | - | 14.9 | ARANCIO ORANGE | 03-A 03-I |
| 3 | | 1-282003-2 | V | 2-282003-2 | V | 2D 3D | 2-3 | - | 14.9 | BLU BLUE | 03-B |
| 3 | | 1-282003-3 | V | 2-282003-3 | V | 1S 3D | 1-2 | - | 14.9 | VERDE GREEN | 03-F |
| 3 | | 1-282003-4 | V | 2-282003-4 | V | 2D 3D | 2-3 | - | 14.9 | ROSSO RED | 03-B |
| 3 | | 1-282003-5 | V | 2-282003-5 | V | 2D 3D | 2-3 | - | 14.9 | GRIGIO GREY | 03-B |
| 3 | | 1-282003-6 | V | 2-282003-6 | V | - | 1-2 | - | 14.9 | VIOLA VIOLET | - |
| 3 | | 1-282003-7 | V | - | - | 2D 3D | 2-3 | - | 14.9 | NERO BLACK | 03-B |
| 3 | | 3-282003-3 | I | - | - | 1S 1D | 1-2 | - | 14.9 | - | - |
| 3 | | 3-282003-4 | I | - | - | 1S - 2S 2D - 3S | 1-2 | - | 14.9 | - | - |
| 3 | | 3-282003-5 | I | - | - | 1S 3D | 2-3 | - | 14.9 | - | - |
| 3 | | 3-282003-6 | I | - | - | 1S - 1D 2S - 2D | 1-2 | - | 14.9 | - | - |
| 3 | | 0-282233-2 | V | 2-282233-2 | V | 1S ⑤ | 1-2 | - | 14.9 | - | 03-D |
| 3 | | 1-284396-1 | Z | - | - | 2S | 2-3 | - | 14.9 | NERO BLACK | - |



| | | | | | |
|--|--|---|---|-----------------|---------------|
| THIS DRAWING IS A CONTROLLED DOCUMENT. | | DWN G. ENDRIZZI 23 JUL 1995 | | TE Connectivity | |
| DIMENSIONS: mm | | CHK G. TURCO 23 JUL 1995 | | NAME | |
| TOLERANCES UNLESS OTHERWISE SPECIFIED: 0 PLC ± 0.3 | | APVD G. TURCO 23 JUL 1995 | MONO-SHAPE MK1 TAB CONNECTORS 2-10 POS. | | |
| MATERIAL SEE TABLE | | PRODUCT SPEC 108-20065-1, 108-20065-2 | SIZE | CAGE CODE | DRAWING NO |
| SEE TABLE | | APPLICATION SPEC 114-20016, 114-20016-1 | A20779 | G-282002 | RESTRICTED TO |
| SEE TABLE | | WEIGHT | SCALE | SHEET 2 OF 6 | REV AA26 |

THIS DRAWING IS UNPUBLISHED. RELEASED FOR PUBLICATION
 © COPYRIGHT 2011 ALL RIGHTS RESERVED.

| LOC | | DIST | | REVISIONS | | | |
|-----|-----|-------------|------|-----------|------|--|--|
| P | LTR | DESCRIPTION | DATE | DWN | APVD | | |
| | | SEE SHEET 1 | | | | | |

VISTE SOLO PER RIFERIMENTO
 VIEWS ONLY FOR REFERENCE

| NUMERO DI VIE | CONFIGURAZIONE (Vista connettore dall'alto) | TE PART NUMBER ASSY CONN. | | POSIZIONE POLARIZ. (LATO POSTERIORE) | POSIZIONE AGGANCIO (LATO ANTERIORE) | POSIZIONE CODIFICA SPECIALE (LATO ANTERIORE) | L +0.2 -0.3 (mm) | NOTE MARCHIATURA CON BANDA COLORATA | POSSIBLE RAST 5 POLARIZ. | |
|---------------|---|---------------------------|------------------------|--------------------------------------|-------------------------------------|---|-------------------------------|-------------------------------------|--------------------------|------|
| | | VERSIONE PEZZI IN VASSOIO | VERSIONE PEZZI SCIOLTI | | | | | | | |
| NO OF POS | CONFIGURATION (View from top side) | TRAY PACKAGING VERSION | PART REV | LOOSE PIECES PACKAGING VERSION | PART REV | POLARIZ. POSITION (BACK SIDE) | LOCKING POSITION (FRONT SIDE) | SPECIAL COD. POSITION (FRONT SIDE) | NOTE STRIP COLOUR | |
| 4 | | 1-282004-1 | V | 2-282004-1 | V | 1D | 1-2 | 2D | GRIGIO GREY | 04-A |
| 4 | | 1-282004-2 | V | 2-282004-2 | V | 3D | 2-3 | - | NERO BLACK | 04-D |
| 4 | | 1-282004-3 | V | 2-282004-3 | V | 1D | 1-2 | 2D | ROSSO RED | 04-A |
| 4 | | 1-282004-4 | S | - | - | 3D | 1-2 | - | BLU BLUE | - |
| 4 | | 3-282004-4 | AA | - | - | 4D | 3-4 | - | - | - |
| 4 | | 4-282004-4 | I | - | - | 1S-1D-2S-2D 3S-3D-4S-4D AS-BD-CS-DD | 1-2 | - | - | 04-A |
| 5 | | 1-282005-1 | V | 2-282005-1 | V | 4D | 4-5 | - | ROSSO RED | - |
| 5 | | 1-284545-1 | Z | - | - | 2S | 4-5 | - | ROSSO RED | - |
| 5 | | 1-284545-2 | A | - | - | 1S | - | 3D | - | - |
| 5 | | 1-284545-3 | A | - | - | 5D | 3-4 | - | BLU BLUE | - |
| 5 | | 1-293003-5 | Z | - | - | - | 4-5 | - | NERO BLACK | - |
| 6 | | 1-282006-2 | V | 2-282006-2 | V | 2S | 2-3 | - | VIOLA VIOLET | - |
| 6 | | 1-282006-3 | V | 2-282006-3 | V | 5D | - | - | - | - |
| 6 | | 1-282006-3 | V | 2-282006-3 | V | 2S - 3D 4D - 5D | 4-5 | - | - | - |
| 6 | | 2-282006-4 | V | - | - | 3D | - | 5S | NERO BLACK | - |
| 6 | | 1-284745-1 | Z | - | - | 5D | 4-5 | - | ROSSO RED | - |
| 6 | | 1-284745-2 | I | - | - | 6D | - | 4D | RED | - |
| 6 | | 1-284745-3 | I | - | - | 5D | 3-4 | - | VIOLET | - |
| 6 | | 1-284745-4 | I | - | - | 1S | 2-3 | - | ORANGE | - |
| 7 | | 1-282007-1 | V | 2-282007-1 | V | 1D | 1-2 | 3S | - | - |
| 7 | | 2-282007-2 | V | - | - | 5D | 5-6 | - | - | - |
| 7 | | 2-282007-2 | V | - | - | 4D | - | 6S | VIOLA VIOLET | - |
| 7 | | 2-282007-3 | I | - | - | 6D | - | - | - | - |
| 7 | | 3-282007-2 | AA | - | - | 1S - 2S - 2D 3S - 3D - 4D 5S - 6S - 6D 7S - 7D | 1-2 | - | - | - |
| 7 | | 1-284397-1 | Z | - | - | - | 1-2 | 5S | - | - |
| 7 | | 1-293004-7 | Z | - | - | 2D | 1-2 | - | NERO BLACK | - |
| 7 | | 1-293004-7 | Z | - | - | - | 1-2 | - | ROSSO RED | - |
| 7 | | 2-293004-7 | I | - | - | - | 1-2 | - | GRIGIO GREY | - |
| 8 | | 0-284085-1 | V | 2-284085-1 | V | 2D - 6S | - | 4S | - | - |
| 8 | | 0-284085-2 | V | 2-284085-2 | V | 4D - 6D | 2-3 | - | VIOLA VIOLET | - |

LEGENDA (DESCRIPTION)

① AMP MONO-SHAPE, TAB CONNECTORS (ESEMPIO DI CONFIGURAZIONE) (EXAMPLE OF CONFIGURATION)

② POLARIZZAZIONE (POLARIZATION)

| | | | |
|--|--|-----------------------------|---|
| THIS DRAWING IS A CONTROLLED DOCUMENT. | | DWN G. ENDRIZZI 23 JUL 1995 | STE TE Connectivity |
| DIMENSIONS: mm | | CHK G. TURCO 23 JUL 1995 | |
| TOLERANCES UNLESS OTHERWISE SPECIFIED: | | APVD G. TURCO 23 JUL 1995 | NAME |
| 0 PLC ±0.1 | | PRODUCT SPEC | MONO-SHAPE MK1 TAB CONNECTORS 2-10 POS. |
| 1 PLC ±0.1 | | 108-20065-1, 108-20065-2 | APPLICATION SPEC |
| 2 PLC ±0.1 | | 114-20016, 114-20016-1 | SIZE CAGE CODE DRAWING NO |
| 3 PLC ±0.1 | | WEIGHT | RESTRICTED TO |
| 4 PLC ±0.1 | | Customer Drawing | A20779 C-282002 |
| MATERIAL FINISH | | SCALE | SHEET 3 OF 6 REV AA26 |

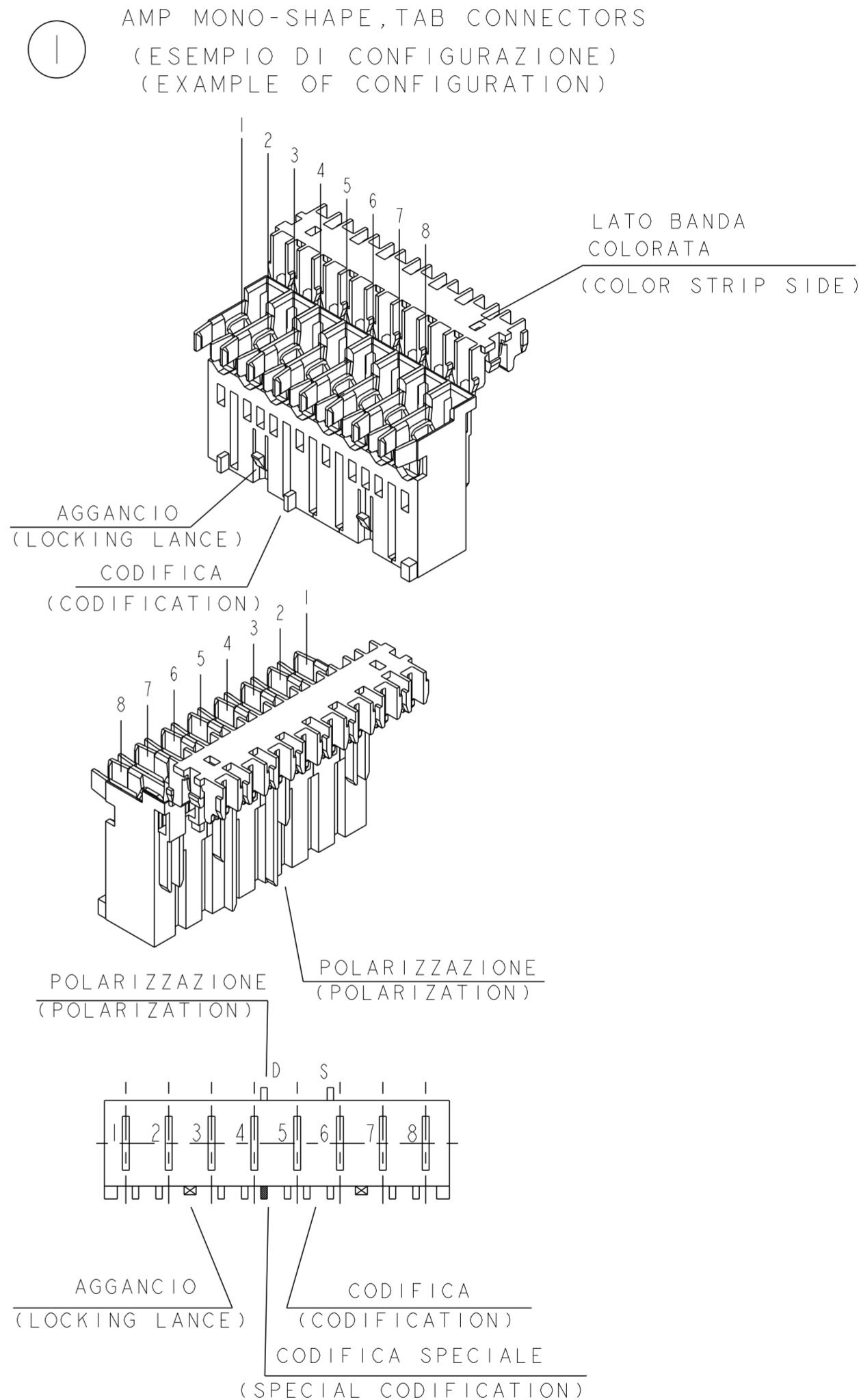
THIS DRAWING IS UNPUBLISHED. RELEASED FOR PUBLICATION
 © COPYRIGHT 2011 ALL RIGHTS RESERVED.

| LOC | | DIST | | REVISIONS | | | |
|-----|-----|-------------|--|-----------|-----|------|--|
| P | LTR | DESCRIPTION | | DATE | DWN | APVD | |
| - | - | SEE SHEET 1 | | | | | |

| NUMERO DI VIE | CONFIGURAZIONE (Vista connettore dall'alto) | TE PART NUMBER ASSY CONN. | | | | POSIZIONE POLARIZ. (LATO POSTERIORE) | POSIZIONE AGGANCIO (LATO ANTERIORE) | POSIZIONE CODIFICA SPECIALE (LATO ANTERIORE) | L +0.2 L -0.3 (mm) | NOTE MARCHIATURA CON BANDA COLORATA |
|---------------|---|---------------------------|----------|------------------------|----------|--------------------------------------|-------------------------------------|--|--------------------------|-------------------------------------|
| | | VERSIONE PEZZI IN VASSOIO | PART REV | VERSIONE PEZZI SCIOLTI | PART REV | | | | | |
| 10 | | 1-282010-1 | V | 2-282010-1 | V | 6D 8S | 4-5 8-9 | 6S | 49.9 | - |
| 10 | | 0-284004-1 | V | - | - | 6D 8S | 4-5 8-9 | 6S | 49.9 | - |

VISTE SOLO PER RIFERIMENTO
 VIEWS ONLY FOR REFERENCE

LEGENDA
 (DESCRIPTION)



| | | | | |
|---|--|--|---|--------------------------|
| THIS DRAWING IS A CONTROLLED DOCUMENT. | | DWN G. ENDRIZZI 23 JUL 1995 | TE Connectivity MONO-SHAPE MK1 TAB CONNECTORS 2-10 POS. | |
| DIMENSIONS: mm | | CHK G. TURCO 23 JUL 1995 | | |
| TOLERANCES UNLESS OTHERWISE SPECIFIED: | | APVD G. TURCO 23 JUL 1995 | NAME | |
| 0 PLC ± 1 PLC ± 2 PLC ± 3 PLC ± 4 PLC ± ANGLES ± FINISH ± | | PRODUCT SPEC 108-20065-1, 108-20065-2 | RESTRICTED TO | |
| MATERIAL | | APPLICATION SPEC 114-20016, 114-20016-1 | SIZE A20779 | CAGE CODE C-282002 |
| SEE TABLE | | WEIGHT -- | DRAWING NO C-282002 | |
| SEE TABLE | | Customer Drawing | SCALE - | SHEET 4 OF 6 REV AA26 |

THIS DRAWING IS UNPUBLISHED. RELEASED FOR PUBLICATION
 © COPYRIGHT 2011 ALL RIGHTS RESERVED.

| LOC | | DIST | | REVISIONS | | | |
|-----|-----|-------------|------|-----------|------|--|--|
| P | LTR | DESCRIPTION | DATE | DWN | APVD | | |
| | | SEE SHEET 1 | | | | | |

PA GF, UL-VO GWPT 750° C NO FLAME, NATURAL

| No. of POS. | CONFIGURATION ONLY FOR REF | ON TRAY | | LOOSE PIECES | | SEE SHEET 1 FOR ADDITIONAL DETAILS AND NOTES | | | | | POSSIBLE RAST 5 POLARIZ. |
|-------------|----------------------------|-------------|-----------|--------------|-----------|--|-------------------------------|--|--------|------------|--------------------------|
| | | P/N ASS'Y | PART REV. | P/N ASS'Y | PART REV. | POLARIZ. POSITION (BACK SIDE) | LOCKING POSITION (FRONT SIDE) | SPECIAL CODIFICAT. POSITION (FRONT SIDE) | L (mm) | COLOR CODE | |
| 2 | | 2293382-2 | AA | | | 1S 2D | 1-2 | - | 9.9 | | 02-B 02-E 02-F |
| 2 | | 1-2293382-2 | AA | | | 1S 2D | 1-2 | | 9.9 | GREEN | 02-B 02-E 02-F |
| | 2 | | | | | 1D 2D | 1-2 | - | 9.9 | | |
| 2 | | 3-2293382-2 | AA | | | 1D 2S | 1-2 | - | 9.9 | BLUE | 02-A |
| | 2 | | | | | 1S 1D | 1-2 | - | 9.9 | | |
| | 2 | | | | | 1S 2D | 1-2 | - | 9.9 | GREY | 02-B 02-E 02-F |
| 3 | | 2293382-3 | AA | | | 2S | 2-3 | - | 14.9 | | |
| 3 | | 1-2293382-3 | AA | | | - | 1-2 | - | 14.9 | VIOLET | - |
| 3 | | 2-2293382-3 | AA | | | 1D | 1-2 | - | 14.9 | ORANGE | 03-A 03-1 |
| | 3 | | | | | 1S 1D | 1-2 | - | 14.9 | | |
| | 3 | | | | | 1D 2S 2D 3S | 1-2 | - | 14.9 | | |
| | 3 | | | | | 1S 3D | 2-3 | - | 14.9 | | |
| 3 | | 6-2293382-3 | AA | | | 1S 1D 2S 2D | 1-2 | - | 14.9 | | |
| | 3 | | | | | 1S 3D | 1-2 | | 14.9 | GREEN | 03-F |
| 4 | | 2293382-4 | AA | | | 1D | 1-2 3-4 | 2D | 19.9 | GREY | 04-A |
| 4 | | 1-2293382-4 | AA | | | 1S 4D | 1-2 3-4 | - | 19.9 | | |
| | 4 | | | | | TBD | TBD | TBD | 19.9 | | |
| 5 | | 2293382-5 | AA | | | - | 4-5 | - | 24.9 | | |
| | 6 | | | | | TBD | TBD | TBD | 29.9 | | |



| | | | |
|---|--|--|---|
| THIS DRAWING IS A CONTROLLED DOCUMENT. | | DWN G. ENDRIZZI 23 JUL 1995 | TE Connectivity MONO-SHAPE MK1 TAB CONNECTORS 2-10 POS. |
| DIMENSIONS: mm | | CHK G. TURCO 23 JUL 1995 | |
| TOLERANCES UNLESS OTHERWISE SPECIFIED: | | APVD G. TURCO 23 JUL 1995 | |
| 0 PLC ± 1 PLC ± 2 PLC ± 3 PLC ± 4 PLC ± ANGLES ± FINISH ± | | NAME | |
| MATERIAL SEE TABLE | | PRODUCT SPEC 108-20065-1, 108-20065-2 APPLICATION SPEC 114-20016, 114-20016-1 | RESTRICTED TO |
| SEE TABLE | | WEIGHT -- | SIZE A20779 CAGE CODE C-282002 DRAWING NO Customer Drawing |
| | | SCALE - | SHEET 5 OF 6 REV AA26 |

THIS DRAWING IS UNPUBLISHED. RELEASED FOR PUBLICATION
 © COPYRIGHT 2011 ALL RIGHTS RESERVED.

| LOC | | DIST | | REVISIONS | | | |
|-----|-----|-------------|------|-----------|------|--|--|
| P | LTR | DESCRIPTION | DATE | DWN | APVD | | |
| | | SEE SHEET 1 | | | | | |
| | | | | | | | |
| | | | | | | | |

PA GF, UL-V0 GWEPT 750° C NO FLAME, NATURAL

| No. of POS. | CONFIGURATION ONLY FOR REF | ON TRAY | | LOOSE PIECES | | SEE SHEET 1 FOR ADDITIONAL DETAILS AND NOTES | | | | | |
|-------------|----------------------------|-------------|-----------|--------------|-----------|--|-------------------------------|--|--------|------------|--------------------------|
| | | P/N ASS'Y | PART REV. | P/N ASS'Y | PART REV. | POLARIZ. POSITION (BACK SIDE) | LOCKING POSITION (FRONT SIDE) | SPECIAL CODIFICAT. POSITION (FRONT SIDE) | L (mm) | COLOR CODE | POSSIBLE RAST 5 POLARIZ. |
| 7 | | 2293382-7 | 1 | | | - | 1-2 5-6 | - | 34.9 | | |
| 7 | | 2-2293382-7 | 1 | | | 1S 2S 2D 3S 3D 4D 5S 6S 6D 7S 7D | 1-2 5-6 | | 34.9 | | |
| 8 | | 2293382-8 | 1 | | | TBD | TBD | TBD | 39.9 | | |
| 9 | | 2293382-9 | 1 | | | TBD | TBD | TBD | 44.9 | | |
| 10 | | 1-2293382-0 | 1 | | | 6D 8S | 4-5 8-9 | 6S | 49.9 | | |

| | | | | | | | | |
|--|-----------|--|---|-----------------------|-----------------------|-------|--------------|----------|
| THIS DRAWING IS A CONTROLLED DOCUMENT. | | DWN G. ENDRIZZI 23 JUL 1995 | TE Connectivity MONO-SHAPE MK1 TAB CONNECTORS 2-10 POS. | | | | | |
| DIMENSIONS: mm | | CHK G. TURCO 23 JUL 1995 | | | NAME | | | |
| | | APVD G. TURCO 23 JUL 1995 | | | RESTRICTED TO | | | |
| | | PRODUCT SPEC 108-20065-1, 108-20065-2 APPLICATION SPEC 114-20016, 114-20016-1 | | | | | | |
| MATERIAL | FINISH | WEIGHT | SIZE A200779 | CAGE CODE C-282002 | DRAWING NO -282002 | SCALE | SHEET 6 OF 6 | REV AA26 |
| SEE TABLE | SEE TABLE | Customer Drawing | | | | | | |